

Air Movement SOURCE BOOK

ACME AIR MOVING SOLUTIONS

www.acmefan.com



ACME

ACME

Est. 1938

Quality and Service that will Blow you Away!

Industry Leadership

Founded in 1938, Acme Engineering and Manufacturing Corporation is known worldwide as a leader in the manufacture of fans, blowers, and ventilation equipment. Acme's growth over the past half century is a tribute to superior quality, customer loyalty, and dedicated employees and sales representatives.

Today, from its headquarters in Muskogee, Oklahoma, Acme serves customers worldwide with high quality air movement and control products.

Manufacturing

With approximately 350,000 square feet of manufacturing space, Acme produces one of the broadest lines of air moving equipment in the industry. State-of-the-art manufacturing equipment and a well trained, experienced workforce is the key to Acme's timely delivery of quality air moving products.

Engineering

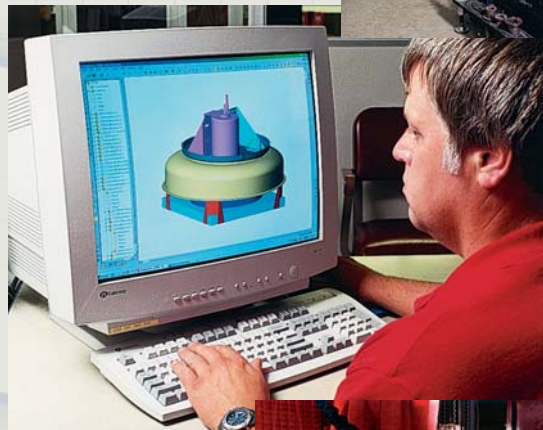
The Acme Research and Engineering Center operates both air and sound laboratories. The Center houses four wind tunnels with a data acquisition system, a reverberant sound room with the latest sound analyzer equipment, and a structural laboratory for stress and vibration analysis. Solid modeling, and finite element analysis support product research and development. The Center also houses a fully equipped prototype facility enabling Acme to develop and introduce new products to the market in the shortest time possible.

Sales & Service

A factory trained, knowledgeable sales organization addresses the needs of many diverse and distinct markets. Customers around the world are serviced by a complete system of sales representatives, equipment distributors and local dealers supported by nationwide distribution centers and backed by a staff of sales and marketing professionals.

Quality

A highly trained engineering and production staff set the standard for dependable, quality air moving products. By using the latest computer techniques for research and design, and rigorous quality control standards Acme can offer one of the best warranty programs in the industry. Our exclusive 2/5 year limited warranty provides our customers with confidence...Year After Year.



Est. 1938


Acme Hurricane and High Wind Products



ACME ENGINEERING & MANUFACTURING CORP.

P.O. Box 978 • Muskogee, OK 74402 • 918/682-7791
Fax 918/682-0134 • www.acmefan.com







**...at the
leading
edge of
fan energy
efficiency and
expertise**

Est. 1938

FEG 90
FEG 85
FEG 80
FEG 75
FEG 71
FEG 67
FEG 63
FEG 60
FEG 56
FEG 53
FEG 50



Scan this code
to learn more about
FEGs from Dr. John Cermak,
Acme's Chief Engineer




Acme Engineering & Manufacturing Corporation


P.O. Box 978, Muskogee, OK 74402
918-682-7791 Fax: 918-682-0134 www.acmefan.com

Acme's Warranty Provides Confidence

YEAR AFTER YEAR

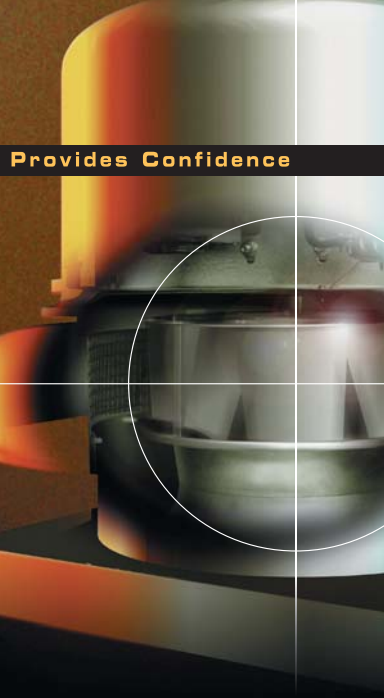


**2
YEAR**
COMPREHENSIVE
WARRANTY




**5
YEAR**
BEARING & SHAFT
WARRANTY

Acme stands behind every piece of equipment it makes...period! To prove it, we offer a comprehensive 2 year warranty on every product and a 5 year warranty on our exclusive duplex split pillow block bearings and shaft. If you want dependability and a company that stands behind its products, you want Acme!



SYMBOL OF QUALITY

ACME ENGINEERING & MANUFACTURING CORP. 

Box 978, Muskogee, Oklahoma 74402 • 918.682.7791 • Fax 918.682.0134 • <http://www.acmefan.com>

Year After Year Confidence

Acme stands behind every piece of equipment we make... period! To prove it, we offer a 2 Year Comprehensive Warranty on every product and a 5 Year Bearing and Shaft Warranty on our exclusive duplex split pillow block bearings and shaft. Year after Year...Acme's Warranty Provides Confidence.

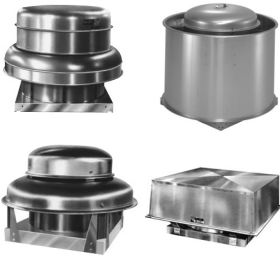
Call Us Today

ACME Engineering and Manufacturing Corporation
Box 978, Muskogee, Oklahoma 74402
918.682.7791
Fax 918.682.0134
www.acmefan.com



Table of Contents

Page No.



Centrifugal Exhausters

- Direct Drive – Roof – Downblast – Model PRN 6-7
- Belt Drive – Roof – Downblast – Model PV 8-17
- Direct Drive – Roof/Wall – Upblast – Models PDURF and PDURG 18-19
- Belt Drive – Roof/Wall – Upblast – Models PNURF and PNURG 20-40
- Belt Drive – Roof – Downblast – Model PL 41-43



Ceiling and Cabinet Exhausters

- Direct Drive – Ceiling – Model VQ 44-46
- Direct Drive – In-Line – Model VQL 44-46
- Direct Drive – Cabinet – Model VQL 44-46
- Belt Drive – Cabinet – Indoor Only – Model DM 47
- Belt Drive – Cabinet – Model DMS 47



In-Line Centrifugal Fans

- Direct Drive – Centrifugal – Model XD 48-49
- Belt Drive – Centrifugal – Model XB 48-50



In-Line Axial Fans

- Direct Drive – Tubeaxial – Model HDD 51
- Belt Drive – Tubeaxial – Model HA 52-54



Propeller Roof Fans

- Direct Drive – Roof – Downblast – Model LQ 55-57
- Belt Drive – Roof – Upblast – Tubeaxial – Motor Out of Airstream – Model UBH 58-59
- Direct Drive – Roof – Upblast – Low Silhouette – Model UD 60-61
- Belt Drive – Roof – Upblast – Motor Out Of Airstream – Model UBGMX 62-63
- Belt Drive – Roof – Upblast – Model UBG 64-66
- Belt Drive – Roof – Downblast – Models EC and ECH 67-69



Propeller Wall Fans

- Direct Drive – Models FN and FQ 70-71
- Belt Drive – Models DC and DCH 72-73
- Belt Drive – Model DCK 72, 74
- Belt Drive – Model K 72, 75



Utility Blowers

- Belt Drive – Model QBR 76-78
- Belt Drive – Forward Curved – Models FCF 79-83



Supply Air Fans

- Belt Drive – Filtered – Side Intake Hood – Model AFSI 84-88
- Belt Drive – Filtered – Model AFSN 84, 85, 89-91
- Belt Drive – Filtered – Louvered Hood – Model AFSL 84, 85, 89-91



Roof Vents



- Exhaust – Model EV 92-94
- Intake – Model IV 92, 95-96
- Exhaust – Louvered – Model LEV 92, 97-100
- Intake – Louvered – Model LIV 92, 97-100
- Gravity Relief - Low Silhouette - Model LQV 101



Roof Curbs

- Models C, CR, CS, CH, CRH, CMR, CVE, CE, CA, CCA and CLE 102-103



Backdraft Dampers

- Models WAG, WAGH, WAGC, WAGCH, AW, AR, and ARH 104

Coatings

- Coatings 105



Est. 1938

Direct Drive Centrifugal Roof Exhauster Model PRN

MIAMI-DADE COUNTY
APPROVED

Centrifugal Exhausters

Model PRN direct drive fans are centrifugal power roof ventilators designed for exhausting clean air. Capacities up to 2770 CFM and up to 1 inch static pressure. The PRN is a downblast exhauster suitable for all types of commercial and institutional buildings such as schools, hospitals, office buildings, and retail stores.



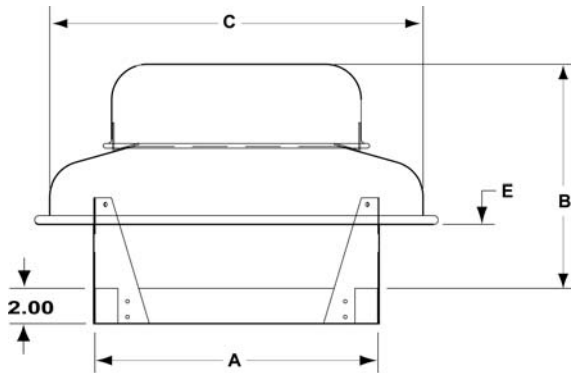
Construction Features

Housing

- Hoods constructed of heavy gauge aluminum, die formed with rolled bead for strength
- Curb base and inlet are one piece with continuous welded corners
- Steel fasteners are zinc dichromate plated
- Heavy gauge galvanized wire birdscreen
- Heavy gauge corner support brackets transmit motor and impeller weight to curb base
- Conduit post for ease of electrical wiring

Airfoil Centrifugal Wheel

- Aluminum construction with backward curved hollow airfoil blades
- Non-overloading design for safe operation
- Precision balanced for smooth vibration free operation



Motor

- Continuous duty motors located outside the airstream
- Motor compartment is ventilated by a "forced air" cooling system
- Factory wired with polarized disconnect plug (except explosion resistant motors)



DIMENSIONS

Fan Model	A	B	C	E	Roof Opening* ‡	Est. Unit Wt.	Est. Ship Wt.	Damper Model	Curb Model ‡	SSC
PRN080	13.50	9.00	18.25	—	9 x 9	22	24	AR8.75	C12	3 AMP
PRN100	16.00	13.25	21.12	3.81	11.5 x 11.5	23	25	AR11	C14.5	3 AMP
PRN110	16.00	13.25	21.12	3.81	11.5 x 11.5	24	26	AR11	C14.5	3 AMP
PRN118	21.00	16.38	27.75	4.81	16.5 x 16.5	37	42	AR16	C19.5	6 AMP
PRN126	21.00	16.38	27.75	4.81	16.5 x 16.5	38	44	AR16	C19.5	6 AMP
PRN135	21.00	16.38	27.75	4.81	16.5 x 16.5	44	51	AR16	C19.5	6 AMP
PRN145	21.00	16.38	27.75	4.81	16.5 x 16.5	58	64	AR16	C19.5	6 AMP
PRN163	24.00	18.12	31.63	5.56	19.5 x 19.5	66	75	AR18	C22.5	6 AMP
PRN171	24.00	18.12	31.63	5.56	19.5 x 19.5	75	83	AR18	C22.5	6 AMP

Options/Accessories

- Roof Curbs
- Dampers
- Solid State Speed Controllers
- Coatings
- Disconnect Switch
- Aluminum Birdscreen

Dimensions are shown in inches.

Weights are shown in pounds.

*Recommended maximum.

‡ Please contact your local representative for correct rated sizing for hurricane construction.



Acme Engineering & Manufacturing Corporation certifies that the models shown herein are licensed to bear the AMCA seal. The ratings shown are based on tests and procedures performed in accordance with AMCA Publication 211 and AMCA Publication 311 and comply with the requirements of the AMCA Certified Ratings Program.



Consult your Acme representative for availability.

PERFORMANCE DATA																		
Fan Model	HP	RPM	Tip Spd.	CFM and Sones vs. Static Pressure														Max. BHP
				.000"		.125"		.250"		.375"		.500"		.750"		1.000"		
				CFM	Sone	CFM	Sone	CFM	Sone	CFM	Sone	CFM	Sone	CFM	Sone	CFM	Sone	
PRN080-1	1/10	1725	4600	337	15.1	299	8.3	261	8.4	222	10.0	182	10.8					.050
PRN080-2	1/10	1725	4600	450	7.2	396	7.0	336	6.8	255	7.1	171	7.4					.060
PRN080-3	1/10	1725	4600	580	8.1	496	8.2	428	7.8	352	8.3	254	8.8					.060
PRN100	1/10	1550	4058	770	6.8	690	6.2	610	5.8	520	5.3	380	5.3					.067
		1300	3403	650	5.3	550	4.6	450	4.0	280	4.0							
		1050	2749	520	3.8	410	6.0	210	3.0									
		860	2251	430	2.6	270	1.8											
PRN110	1/10	1550	4464	1090	8.7	990	8.2	890	7.6	780	8.5	650	8.0	210	8.0			.100
		1300	3744	910	6.9	790	6.2	670	6.5	510	6.1	270	6.1					
		1050	3024	740	5.1	590	4.2	400	4.4									
		860	2477	600	3.7	420	2.7											
PRN118E	1/4	1725	5329	1582	12.1	1489	11.9	1397	9.9	1305	9.8	1195	10.2	932	9.3	578	8.3	.182
		1300	4016	1192	7.0	1069	6.6	942	6.1	780	6.0	571	6.0					
		1100	3398	1009	4.8	864	4.6	691	4.1	442	4.0							
		860	2657	789	3.1	594	3.0	284	2.4									
PRN126E	1/4	1625	5361	1760	13.0	1670	13.0	1560	12.0	1450	12.0	1320	12.0	1040	12.0	680	12.0	.253
		1300	4289	1410	10.0	1290	9.3	1150	9.0	980	9.0	800	8.5	270	8.5			
		1050	3464	1140	7.3	980	6.5	790	6.6	540	6.4	150	6.4					
PRN135G	1/2	1725	5743	2160	15.9	2070	15.7	1970	15.0	1860	14.7	1740	14.4	1460	14.2	1090	13.2	.337
		1300	4594	1730	11.6	1610	11.1	1480	10.8	1320	10.2	1140	9.9	580	9.4			
		1050	3711	1390	8.7	1250	8.2	1060	7.7	810	6.8	430	6.8					
PRN145G	1/2	1625	6168	2540	14.9	2420	15.2	2300	14.5	2180	14.6	2060	14.3	1780	13.9	1440	14.2	.453
		1300	4594	2030	10.8	1880	10.8	1730	10.7	1580	10.1	1400	10.7	920	10.1			
		1050	3986	1640	8.2	1460	7.8	1270	7.6	1030	7.4	710	7.2					
PRN163F	1/3	1100	4694	2448	15.5	2259	15.1	2062	14.6	1851	14.3	1587	14.1	902	13.4			.254
PRN171F	1/3	1075	4813	2770	15.0	2610	14.0	2430	14.0	2220	14.0	1960	13.0	1300	12.0			.328

Performance certified is for Installation Type A: Free Inlet, Free Outlet.
 Performance ratings do not include the effects of appurtenances (accessories).
 The sound ratings shown are loudness values in spherical sones at 1.5 m (5 ft) in a spherical free field calculated per Annex B of AMCA 311.
 Values shown are for Installation Type A: Free Inlet spherical sone levels.
 Maximum RPM shown obtained with the standard one speed motor, for all other RPM's use solid state controller (SSC).
 The brake horsepower capability of an exhauster motor is dependent on the degree of cooling the motor receives from the air moving through the motor.
 The motor loading beyond the motor nameplate rating does not overheat the motor and is in accordance with the motor manufacturer's recommendations. It is therefore not detrimental to the motor and is economically desirable.

For more information on this product contact your sales support.





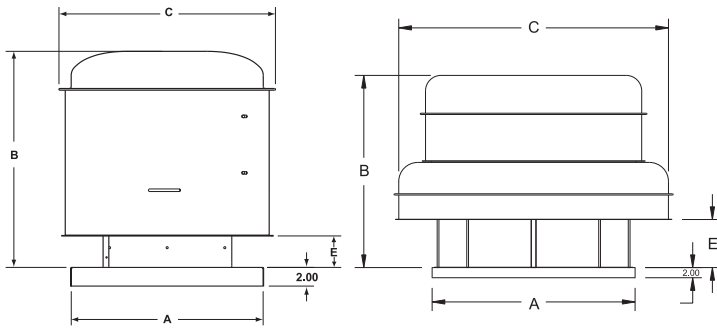
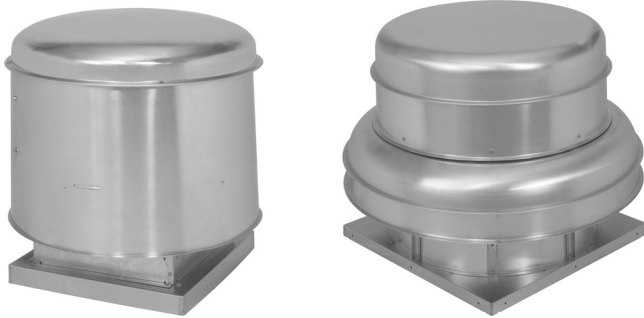
Est. 1938

Belt Drive Centrifugal Roof Exhauster Model PV

MIAMI-DADE COUNTY
APPROVED

Centrifugal Exhausters

Model PV belt drive fans are centrifugal power roof ventilators designed for exhausting clean air. Capacities up to 40,608 CFM and up to 2 inch static pressure. The aerodynamic design of the PV impeller and orifice results in high air performance and low sound. Typical applications for the PV includes a wide range of commercial, institutional, and industrial facilities such as schools, office buildings, hospitals, prisons, assembly areas, and restaurants.



PV75 through PV240

PV260 through PV543

DIMENSIONS							
Fan Model	A	B	C	E	Roof Opening* ‡	Damper Model	Curb Model ‡
PV075	21.00	23.62	23.67	3.44	16.5 x 16.5	AR16	C19.5
PV085	21.00	23.62	23.67	3.44	16.5 x 16.5	AR16	C19.5
PV100	21.00	23.62	23.67	3.44	16.5 x 16.5	AR16	C19.5
PV120	21.00	26.75	29.38	4.06	16.5 x 16.5	AR16	C19.5
PV135	21.00	26.75	29.38	4.06	16.5 x 16.5	AR16/ARQ16	C19.5
PV150	24.00	30.96	35.14	5.19	19.5 x 19.5	AR18/ARQ18	C22.5
PV165	24.00	30.96	35.14	5.19	19.5 x 19.5	AR18/ARQ18	C22.5
PV180	28.00	35.40	39.60	6.19	23.5 x 23.5	AR22/ARQ22	C26.5
PV200	28.00	35.40	39.60	6.19	23.5 x 23.5	AR22/ARQ22	C26.5
PV220	34.00	38.39	46.49	7.75	29.5 x 29.5	AR28/ARQ28	C32.5
PV240	34.00	38.39	46.49	7.75	29.5 x 29.5	AR28/ARQ28	C32.5
PV260	40.00	37.00	53.00	8.75	35.5 x 35.5	AR34/ARQ34	C38.5
PV300	40.00	37.00	53.00	8.75	35.5 x 35.5	AR34/ARQ34	C38.5
PV365	46.00	46.00	64.00	9.50	41.5 x 41.5	ARQ40	C44.5
PV425	60.00	50.00	82.00	11.50	55.5 x 55.5	ARQ54	C58.5
PV490	60.00	54.00	82.00	15.50	55.5 x 55.5	ARQ54	C58.5
PV543	60.00	57.00	82.00	16.50	55.5 x 55.5	ARQ54	C58.5

Dimensions are shown in inches.

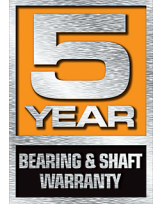
*Recommended maximum

‡ Please contact your local representative for correct rated sizing for hurricane construction

Construction Features

Housing

- Hoods and housing constructed of heavy gauge aluminum
- Wheel and drive assembly supported by rugged steel frame
- Steel fasteners are zinc dichromate plated
- Heavy gauge galvanized wire birdscreen
- Vibration Isolation



Centrifugal Wheel

- Aluminum construction backward curved blades
- Non-overloading design for safe operation
- Precision balanced for smooth vibration free operation

Bearings

- Permanently lubricated in an Acme D.S. pillow block housing
- Bearings are resiliently mounted in neoprene rings
- Rated at L₅₀ life of 200,000 hours
- **5 year** limited warranty on Acme D.S. pillow block bearings

Drive Assembly

- Cast iron drives sized for 150% of drive horsepower
- Static free, oil and heat resistant belts

Motors

- Continuous duty motors located outside the airstream
- Motor compartment cooled by fins located on top of impeller
- Factory wired to junction box

Options/Accessories

- Roof Curbs
- Dampers
- Coatings
- Aluminum Birdscren



Acme Engineering & Manufacturing Corporation certifies that the models shown herein are licensed to bear the AMCA seal. The ratings shown are based on tests and procedures performed in accordance with AMCA Publication 211 and AMCA Publication 311 and comply with the requirements of the AMCA Certified Ratings Program.



Consult your Acme representative for availability.

PERFORMANCE DATA																								
RPM	CFM and Sones vs. Static Pressure																							
	.000"		.125"		.250"		.375"		.500"		.625"		.750"		.875"		1.000"		1.250"		1.500"			
	BHP	Sone	BHP	Sone	BHP	Sone	BHP	Sone	BHP	Sone	BHP	Sone	BHP	Sone	BHP	Sone	BHP	Sone	BHP	Sone	BHP	Sone	BHP	Sone
294	145																							
	0.01	.1																						
420	207																							
	0.01	.7																						
437	216																							
	0.01	.7																						
581	287																							
	0.01	1.4																						
621	306		118																					
	0.00	1.6	0.01	1.5																				
707	349		216																					
	0.01	2.2	0.01	1.9																				
833	411		306		52																			
	0.01	2.9	0.01	2.7	0.01	2.5																		
911	450		358		213																			
	0.02	3.5	0.02	3.2	0.02	2.9																		
977	482		398		288																			
	0.02	4.1	0.02	3.7	0.02	3.5																		
1039	513		435		335		114																	
	0.02	4.5	0.03	4.2	0.03	3.9	0.02	3.6																
1228	606		543		466		377		203															
	0.04	5.6	0.04	5.4	0.04	5.2	0.04	4.9	0.04	4.7														
1247	615		554		479		391		247															
	0.04	5.9	0.04	5.6	0.05	5.3	0.05	5.0	0.04	4.9														
1421	701		647		586		515		438		312													
	0.06	7.1	0.06	6.8	0.07	6.6	0.07	6.3	0.07	6.1	0.07	6.1												
1468	724		672		614		547		472		371		157											
	0.06	7.5	0.07	7.3	0.07	7.1	0.08	6.7	0.08	6.6	0.08	6.7	0.06	6.2										
1681	830		784		737		683		622		557		486		368		144							
	0.10	9.5	0.10	8.9	0.11	8.7	0.11	8.4	0.11	8.2	0.11	8.3	0.11	7.9	0.11	8.0	0.08	8.2						
1750	864		820		776		724		668		606		543		454		319							
	0.11	9.9	0.12	9.7	0.12	9.1	0.13	8.9	0.13	8.9	0.13	9.3	0.13	8.5	0.13	8.3	0.12	8.4						
1915	945		905		865		820		773		719		662		605		533		254					
	0.14	11.5	0.15	11.2	0.16	10.5	0.16	10.4	0.16	10.3	0.17	11.0	0.17	10.2	0.17	9.7	0.17	10.1	0.14	10.7				

PERFORMANCE DATA																								
RPM	CFM and Sones vs. Static Pressure																							
	.000"		.125"		.250"		.375"		.500"		.625"		.750"		.875"		1.000"		1.250"		1.500"			
	BHP	Sone	BHP	Sone	BHP	Sone	BHP	Sone	BHP	Sone	BHP	Sone	BHP	Sone	BHP	Sone	BHP	Sone	BHP	Sone	BHP	Sone	BHP	Sone
707	504		322																					
	0.01	2.7	0.01	2.5																				
911	650		528		331																			
	0.02	4.3	0.03	4.0	0.03	4.0																		
977	697		584		429																			
	0.03	4.9	0.03	4.7	0.03	4.3																		
1039	741		635		502		255																	
	0.03	5.4	0.04	5.1	0.04	4.8	0.03	4.7																
1228	876		786		693		562		358															
	0.06	7.1	0.06	6.8	0.06	6.3	0.06	6.1	0.06	5.8														
1247	890		801		712		585		395															
	0.06	7.2	0.06	6.9	0.07	6.5	0.07	6.3	0.06	6.1														
1369	977		896		815		717		591		392													
	0.08	8.3	0.08	7.7	0.09	7.8	0.09	7.4	0.09	7.2	0.08	6.9												
1421	1014		936		858		769		653		493		203											
	0.09	8.8	0.09	8.4	0.10	8.3	0.10	7.8	0.10	7.6	0.09	7.4	0.07	7.4										
1468	1047		972		897		815		708		567		356											
	0.10	9.4	0.10	9.0	0.10	8.5	0.11	8.3	0.11	8.1	0.11	7.8	0.10	7.7										
1575	1124		1054		983		913		823		714		569		352									
	0.12	10.3	0.12	10.3	0.13	9.6	0.13	9.4	0.13	9.2	0.13	8.8	0.13	8.9	0.11	8.5								
1681	1199		1134		1068		1002		927		837		729		583		367							
	0.14	11.7	0.15	11.5	0.15	10.7	0.16	10.4	0.16	10.3	0.16	10.0	0.16	9.9	0.16	9.6	0.14	9.6						
1750	1249		1185		1122		1059		993		909		811		692		532							
	0.16	12.5	0.17	11.9	0.17	12.0	0.18	11.4	0.18	10.9	0.18	10.7	0.18	10.5	0.18	10.4	0.17	10.4						
1840	1313		1253		1193		1132		1072		998		915		816		691		281					
	0.19	13.6	0.19	13.5	0.20	12.5	0.21	12.5	0.21	12.2	0.21	11.9	0.21	11.9	0.21	11.0	0.21	11.2	0.16	11.0				
1915	1366		1309		1251		1193		1135		1071		994		905		807		513					
	0.21	14.6	0.22	14.1	0.23	14.1	0.23	13.8	0.23	13.3	0.24	12.6	0.24	12.7	0.24	12.4	0.24	12.4	0.22	12.1				

Performance certified is for Installation Type A: Free Inlet, Free Outlet. Performance ratings do not include the effects of appurtenances (accessories). Power rating (BHP) does not include transmission losses. The sound ratings shown are loudness values in hemispherical sones at 1.5 m (5ft) in a hemispherical free field calculated per AMCA Standard 301. Values shown are for Installation Type A: Free Inlet hemispherical sone levels. The brake horsepower capability of an exhaustor motor is dependent on the degree of cooling the motor receives from the air moving through the motor. The motor loading beyond the motor nameplate rating does not overheat the motor and is in accordance with the motor manufacturer's recommendations. It is therefore not detrimental to the motor and is economically desirable.



PV100

Centrifugal Exhausters

PERFORMANCE DATA																											
CFM and Sones vs. Static Pressure																											
RPM	.000"		.125"		.250"		.375"		.500"		.625"		.750"		.875"		1.000"		1.250"		1.500"						
	BHP	Sone	BHP	Sone	BHP	Sone	BHP	Sone	BHP	Sone	BHP	Sone	BHP	Sone	BHP	Sone	BHP	Sone	BHP	Sone	BHP	Sone					
707	533		356																				Fan Model	HP	RPM Range	Est. Unit Wt. lbs.	Est. Ship Wt. lbs.
911	0.01	2.3	0.01	2.1																			PV100E1	1/4	707-1039	77	84
977	0.03	3.9	0.03	3.5	0.03	3.4																	PV100E2	1/4	911-1228	77	84
1039	0.03	4.3	0.04	4.1	0.04	3.9																	PV100E3	1/4	977-1468	76	83
1228	0.04	4.9	0.04	4.5	0.05	4.4	0.04	4.1															PV100E4	1/4	1247-1681	77	84
1247	0.06	6.5	0.07	6.1	0.07	6.0	0.07	5.7	0.07	5.5													PV100E 5	1/4	1421-1915	76	83
1369	0.06	6.9	0.07	6.5	0.08	6.1	0.08	6.1	0.07	5.9													PV100F	1/3	1369-2054	78	85
1421	0.09	7.7	0.09	7.2	0.10	7.1	0.10	6.7	0.10	6.5	0.09	6.3															
1468	0.10	8.1	0.10	7.6	0.11	7.3	0.11	7.2	0.12	6.7	0.11	6.7															
1681	0.11	8.4	0.11	8.1	0.12	7.7	0.12	7.6	0.13	7.4	0.12	7.1	0.11	7.1													
1915	0.16	9.4	0.17	9.2	0.17	8.9	0.18	8.5	0.19	8.2	0.19	8.0	0.19	7.5	0.18	7.6	0.17	7.5									
2054	0.24	12.0	0.24	11.5	0.25	10.7	0.26	10.4	0.27	10.4	0.28	10.2	0.28	9.8	0.28	9.8	0.28	9.6	0.25	9.6							
	0.29	13.2	0.30	12.9	0.31	12.5	0.32	12.2	0.32	12.1	0.33	11.2	0.34	11.0	0.35	10.9	0.35	10.7	0.34	10.7	0.30	10.7					

PV120

PERFORMANCE DATA																											
CFM and Sones vs. Static Pressure																											
RPM	.000"		.125"		.250"		.375"		.500"		.625"		.750"		.875"		1.000"		1.250"		1.500"						
	BHP	Sone	BHP	Sone	BHP	Sone	BHP	Sone	BHP	Sone	BHP	Sone	BHP	Sone	BHP	Sone	BHP	Sone	BHP	Sone	BHP	Sone					
513	568		240																				Fan Model	HP	RPM Range	Est. Unit Wt. lbs.	Est. Ship Wt. lbs.
617	0.01	1.5	0.01	1.6																			PV120E1	1/4	513-770	81	89
734	0.01	2.3	0.02	2.4																			PV120E2	1/4	617-907	79	87
770	0.02	3.2	0.03	3.3	0.03	2.9																	PV120E3	1/4	734-1080	79	87
887	0.02	3.7	0.03	3.4	0.03	3.2																	PV120E4	1/4	887-1304	79	87
907	0.03	4.7	0.04	4.6	0.05	4.2	0.05	3.9															PV120E5	1/4	1149-1489	79	87
1080	0.04	4.9	0.04	4.8	0.05	4.4	0.05	4.0															PV120E6	1/4	1301-1584	78	86
1149	0.06	6.4	0.07	6.3	0.08	5.9	0.08	5.5	0.09	5.5	0.06	5.3											PV120F	1/3	1264-1753	79	87
1264	0.06	6.4	0.07	6.3	0.08	5.9	0.08	5.5	0.09	5.5	0.06	5.3															
1301	0.07	7.1	0.08	6.7	0.09	6.6	0.10	6.1	0.10	6.0	0.10	5.9															
1304	0.10	8.2	0.11	7.8	0.12	7.5	0.13	7.1	0.13	7.0	0.14	6.9	0.14	6.5	0.09	6.2											
1489	0.11	8.6	0.12	8.4	0.13	8.0	0.14	7.4	0.15	7.3	0.15	7.3	0.15	6.8	0.13	6.6											
1584	0.11	8.5	0.12	8.4	0.13	7.8	0.14	7.6	0.15	7.2	0.15	7.4	0.15	6.9	0.13	6.6											
1670	0.16	10.9	0.17	10.3	0.19	10.1	0.20	9.4	0.21	9.1	0.22	9.2	0.22	8.6	0.23	8.5	0.22	8.4									
1753	0.19	12.0	0.21	11.6	0.22	10.9	0.24	10.6	0.25	10.4	0.26	10.3	0.26	9.8	0.27	9.4	0.27	9.2	0.25	8.9							
	0.23	13.2	0.24	12.3	0.26	12.1	0.27	11.9	0.28	11.7	0.29	11.4	0.30	10.9	0.31	10.4	0.32	10.4	0.32	9.7	0.23	9.7					
	0.26	14.2	0.28	13.8	0.30	13.4	0.31	12.9	0.32	12.8	0.33	12.8	0.34	11.7	0.35	11.5	0.36	11.4	0.37	10.8	0.35	10.3					

Performance certified is for Installation Type A: Free Inlet, Free Outlet. Performance ratings do not include the effects of appurtenances (accessories). Power rating (BHP) does not include transmission losses. The sound ratings shown are loudness values in hemispherical sones at 1.5 m (5ft) in a hemispherical free field calculated per AMCA Standard 301. Values shown are for Installation Type A: Free Inlet hemispherical sone levels. The brake horsepower capability of an exhauster motor is dependent on the degree of cooling the motor receives from the air moving through the motor. The motor loading beyond the motor nameplate rating does not overheat the motor and is in accordance with the motor manufacturer's recommendations. It is therefore not detrimental to the motor and is economically desirable.

PV135



Centrifugal Exhausters

PERFORMANCE DATA																						
CFM and Sones vs. Static Pressure																						
RPM	.000"		.125"		.250"		.375"		.500"		.625"		.750"		.875"		1.000"		1.250"		1.500"	
	BHP	Sone	BHP	Sone	BHP	Sone	BHP	Sone	BHP	Sone	BHP	Sone	BHP	Sone	BHP	Sone	BHP	Sone	BHP	Sone	BHP	Sone
513	692		302																			
	0.01	1.6	0.01	1.4																		
617	832		580																			
	0.02	2.3	0.02	2.3																		
734	990		790		458																	
	0.03	3.4	0.03	3.4	0.03	3.3																
770	1038		848		574																	
	0.03	4.0	0.04	3.7	0.04	3.5																
887	1196		1032		849		517															
	0.05	4.8	0.05	4.9	0.06	4.7	0.06	4.5														
907	1223		1063		886		589															
	0.05	5.0	0.06	5.0	0.06	5.0	0.06	4.6														
1080	1456		1323		1185		1028		786		389											
	0.08	7.0	0.09	7.0	0.10	6.8	0.11	6.7	0.11	6.4	0.08	6.0										
1149	1549		1424		1295		1154		970		682											
	0.10	7.9	0.11	7.9	0.12	7.8	0.13	7.4	0.13	7.2	0.12	6.8										
1260	1699		1584		1468		1349		1211		1028		752									
	0.13	9.1	0.14	9.1	0.15	9.0	0.16	8.8	0.17	8.6	0.17	8.2	0.16	7.8								
1304	1758		1648		1535		1421		1291		1129		906		579							
	0.15	9.8	0.16	9.8	0.17	9.5	0.18	9.3	0.19	9.1	0.19	8.5	0.19	8.4	0.16	8.2						
1382	1863		1759		1654		1546		1430		1303		1130		888		564					
	0.17	10.9	0.19	10.9	0.20	10.3	0.21	10.2	0.22	9.9	0.22	9.6	0.22	9.3	0.22	8.8	0.19	8.6				
1489	2008		1911		1814		1714		1614		1499		1372		1212		991					
	0.22	12.3	0.23	12.3	0.24	11.7	0.25	11.8	0.26	11.1	0.27	10.8	0.28	10.5	0.28	10.2	0.27	9.7				
1633	2202		2113		2025		1935		1844		1752		1646		1536		1391		994			
	0.29	14.0	0.30	14.0	0.32	14.0	0.33	13.5	0.34	13.5	0.35	12.8	0.36	12.2	0.37	11.8	0.37	11.8	0.35	11.6		
1875	2528		2451		2374		2297		2219		2139		2060		1974		1882		1666		1374	
	0.44	18.6	0.45	18.6	0.47	18.2	0.48	17.9	0.50	17.5	0.51	16.5	0.52	16.3	0.54	15.7	0.55	14.9	0.56	14.9	0.56	14.8

PV150



PERFORMANCE DATA																						
CFM and Sones vs. Static Pressure																						
RPM	.000"		.125"		.250"		.375"		.500"		.625"		.750"		.875"		1.000"		1.250"		1.500"	
	BHP	Sone	BHP	Sone	BHP	Sone	BHP	Sone	BHP	Sone	BHP	Sone	BHP	Sone	BHP	Sone	BHP	Sone	BHP	Sone	BHP	Sone
575	1208		920		470																	
	0.03	3.5	0.04	3.5	0.04	3.3																
679	1426		1194		906		342															
	0.05	4.7	0.06	4.7	0.07	4.4	0.05	4.4														
725	1523		1307		1050		697															
	0.06	5.3	0.07	5.3	0.08	5.0	0.08	4.9														
863	1812		1638		1437		1208		925		303											
	0.10	7.0	0.11	7.0	0.12	6.7	0.13	6.5	0.13	6.3	0.09	6.3										
907	1905		1740		1554		1344		1095		725											
	0.12	7.4	0.13	7.4	0.14	7.2	0.15	7.3	0.16	7.0	0.14	6.8										
993	2085		1935		1769		1586		1384		1144		789									
	0.15	8.7	0.17	8.7	0.18	8.3	0.19	8.3	0.20	8.1	0.20	7.9	0.19	7.7								
998	2096		1946		1782		1600		1400		1163		833		117							
	0.15	8.8	0.17	8.8	0.18	8.4	0.20	8.5	0.20	8.2	0.21	8.0	0.20	7.7	0.11	7.5						
1088	2285		2147		2001		1843		1668		1478		1254		969		346					
	0.20	10.3	0.22	10.3	0.23	10.0	0.25	9.7	0.26	9.3	0.27	9.3	0.27	9.2	0.26	8.8	0.17	8.7				
1187	2493		2367		2237		2095		1942		1782		1604		1399		1152					
	0.26	12.0	0.28	12.0	0.30	11.7	0.31	11.5	0.33	11.2	0.34	11.0	0.35	10.8	0.35	10.5	0.34	10.1				
1191	2501		2375		2247		2105		1953		1793		1616		1414		1172		120			
	0.26	12.1	0.28	12.0	0.30	11.8	0.32	11.6	0.33	11.3	0.34	11.1	0.35	10.8	0.35	10.6	0.35	10.2	0.18	9.9		
1363	2862		2753		2643		2524		2400		2268		2129		1984		1828		1457		735	
	0.39	15.4	0.41	15.3	0.44	15.0	0.46	14.2	0.48	14.1	0.49	13.9	0.51	13.7	0.52	13.4	0.53	13.5	0.53	12.1	0.41	12.9
1460	3066		2964		2861		2755		2639		2523		2396		2265		2130		1828		1441	
	0.48	17.0	0.50	16.8	0.53	16.3	0.55	16.1	0.57	15.9	0.59	15.7	0.61	15.5	0.62	14.9	0.64	15.1	0.65	13.8	0.64	13.8
1557	3270		3174		3078		2981		2874		2765		2656		2533		2411		2148		1843	
	0.58	18.9	0.61	18.8	0.63	18.2	0.66	17.6	0.68	17.6	0.70	17.6	0.73	17.1	0.74	16.6	0.76	16.6	0.78	15.5	0.79	15.3

Performance certified is for Installation Type A: Free Inlet, Free Outlet. Performance ratings do not include the effects of appurtenances (accessories). Power rating (BHP) does not include transmission losses. The sound ratings shown are loudness values in hemispherical sones at 1.5 m (5ft) in a hemispherical free field calculated per AMCA Standard 301. Values shown are for Installation Type A: Free Inlet hemispherical sone levels. The brake horsepower capability of an exhaustor motor is dependent on the degree of cooling the motor receives from the air moving through the motor. The motor loading beyond the motor nameplate rating does not overheat the motor and is in accordance with the motor manufacturer's recommendations. It is therefore not detrimental to the motor and is economically desirable.



PV165

MIAMI-DADE COUNTY
APPROVED

Centrifugal Exhausters

PERFORMANCE DATA																						
CFM and Sones vs. Static Pressure																						
RPM	.000"		.125"		.250"		.375"		.500"		.625"		.750"		.875"		1.000"		1.250"		1.500"	
	BHP	Sone	BHP	Sone	BHP	Sone	BHP	Sone	BHP	Sone	BHP	Sone	BHP	Sone	BHP	Sone	BHP	Sone	BHP	Sone	BHP	Sone
575	1519		1187		625																	
	0.04	3.4	0.05	3.3	0.05	3.2																
679	1794		1523		1158		580															
	0.07	4.8	0.08	4.5	0.08	4.5	0.07	4.3														
725	1915		1664		1364		887															
	0.09	5.3	0.10	5.2	0.10	5.1	0.10	4.8														
863	2280		2073		1851		1560		1170													
	0.14	7.5	0.16	7.5	0.17	6.8	0.17	6.7	0.17	6.6												
882	2330		2128		1911		1645		1265		791											
	0.15	7.8	0.17	7.6	0.18	7.4	0.19	7.0	0.18	6.7	0.16	6.5										
936	2473		2282		2080		1845		1527		1146											
	0.18	8.7	0.20	8.6	0.21	8.1	0.22	8.1	0.22	7.8	0.21	7.2										
998	2637		2458		2270		2063		1809		1473		1096									
	0.22	10.4	0.24	10.2	0.25	9.7	0.26	9.0	0.27	8.8	0.27	8.3	0.25	8.2								
1088	2874		2710		2541		2365		2156		1897		1588		1242							
	0.29	12.7	0.30	11.9	0.32	12.0	0.33	11.3	0.34	11.2	0.35	10.1	0.34	9.8	0.32	8.9						
1250	3302		3159		3017		2864		2711		2529		2338		2074		1803		1139			
	0.44	17.2	0.45	16.2	0.47	16.1	0.49	15.2	0.51	15.0	0.52	14.0	0.53	13.8	0.53	12.7	0.52	11.6	0.45	11.1		
1301	3437		3300		3162		3018		2870		2708		2527		2306		2052		1488			
	0.49	17.9	0.51	16.7	0.53	17.2	0.55	15.8	0.56	15.7	0.58	14.8	0.59	14.5	0.60	13.2	0.59	13.2	0.55	12.1		
1428	3773		3647		3522		3396		3261		3126		2976		2812		2631		2165		1647	
	0.65	20	0.67	19.0	0.69	19.1	0.71	18.0	0.73	17.8	0.75	16.8	0.77	16.3	0.78	15.3	0.79	14.9	0.78	14.3	0.73	13.7
1584	4185		4072		3959		3846		3729		3608		3486		3358		3210		2886		2467	
	0.89	22	0.91	22	0.93	21	0.96	20	0.98	20	1.00	19.7	1.02	19.4	1.04	18.1	1.05	17.5	1.08	16.4	1.07	16.2

PV180

MIAMI-DADE COUNTY
APPROVED

PERFORMANCE DATA																						
CFM and Sones vs. Static Pressure																						
RPM	.000"		.125"		.250"		.375"		.500"		.625"		.750"		.875"		1.000"		1.250"		1.500"	
	BHP	Sone	BHP	Sone	BHP	Sone	BHP	Sone	BHP	Sone	BHP	Sone	BHP	Sone	BHP	Sone	BHP	Sone	BHP	Sone	BHP	Sone
456	2384		1852		755																	
	0.08	4.2	0.09	4.2	0.07	3.9																
561	2933		2524		1954		974															
	0.15	5.8	0.16	5.8	0.16	5.4	0.13	5.8														
588	3075		2686		2184		1380															
	0.17	6.4	0.18	6.5	0.19	6.2	0.17	6.2														
650	3399		3051		2658		2054		1167													
	0.24	7.6	0.25	7.7	0.25	7.3	0.24	7.2	0.20	7.0												
657	3435		3091		2710		2119		1303													
	0.24	7.7	0.25	7.8	0.26	7.5	0.25	7.3	0.22	7.1												
717	3749		3434		3100		2650		2025		1115											
	0.32	9.1	0.33	8.9	0.34	8.6	0.34	8.7	0.32	8.5	0.25	8.4										
728	3807		3496		3169		2736		2142		1330											
	0.33	9.2	0.34	9.3	0.35	8.9	0.35	8.9	0.34	8.9	0.28	8.7										
830	4340		4067		3790		3495		3076		2565		1933		1027							
	0.49	12.4	0.50	12.6	0.52	11.7	0.53	11.6	0.52	11.2	0.51	11.3	0.46	10.9	0.35	10.8						
847	4429		4162		3891		3602		3209		2724		2136		1293							
	0.52	12.7	0.53	12.9	0.55	12.5	0.56	12.4	0.56	12.3	0.54	12.2	0.51	11.1	0.41	11.7						
941	4920		4680		4440		4185		3920		3541		3106		2598		2021					
	0.71	16.0	0.73	15.9	0.75	15.6	0.76	15.7	0.77	15.7	0.76	15.4	0.75	14.1	0.72	14.6	0.66	14.8				
951	4973		4735		4497		4246		3988		3619		3197		2705		2143					
	0.74	15.9	0.75	16.6	0.77	15.6	0.78	16.0	0.79	15.7	0.79	15.6	0.77	14.4	0.75	15.0	0.69	14.6				
1050	5490		5275		5059		4841		4608		4367		4028		3660		3246		2235			
	0.99	19.3	1.01	19.5	1.03	19.7	1.04	19.6	1.06	19.1	1.07	19.4	1.06	17.7	1.05	18.4	1.03	18.3	0.91	16.5		
1125	5882		5681		5480		5279		5066		4848		4597		4280		3935		3108		2006	
	1.22	21	1.24	22	1.26	21	1.28	21	1.29	20	1.31	20	1.31	20	1.30	19.7	1.29	20	1.23	17.5	1.03	16.9
1185	6196		6005		5814		5624		5426		5220		5013		4739		4438		3733		2868	
	1.43	23	1.44	23	1.47	22	1.49	22	1.50	22	1.52	23	1.53	21	1.53	22	1.52	21	1.48	19.2	1.37	17.6
1250	6536		6355		6174		5993		5812		5616		5420		5224		4939		4329		3594	
	1.67	24	1.69	25	1.72	24	1.74	24	1.76	24	1.77	24	1.79	22	1.80	23	1.79	24	1.76	20	1.70	19.5
1316	6881		6709		6537		6366		6194		6014		5828		5642		5434		4893		4256	
	1.95	27	1.97	28	2.00	27	2.02	27	2.04	26	2.06	26	2.08	26	2.09	25	2.10	26	2.08	22	2.04	21

Performance certified is for Installation Type A: Free Inlet, Free Outlet. Performance ratings do not include the effects of appurtenances (accessories). Power rating (BHP) does not include transmission losses. The sound ratings shown are loudness values in hemispherical sones at 1.5 m (5ft) in a hemispherical free field calculated per AMCA Standard 301. Values shown are for Installation Type A: Free Inlet hemispherical sone levels. The brake horsepower capability of an exhauster motor is dependent on the degree of cooling the motor receives from the air moving through the motor. The motor loading beyond the motor nameplate rating does not overheat the motor and is in accordance with the motor manufacturer's recommendations. It is therefore not detrimental to the motor and is economically desirable.

PERFORMANCE DATA																							
CFM and Sones vs. Static Pressure																							
RPM	.000"		.125"		.250"		.375"		.500"		.625"		.750"		.875"		1.000"		1.250"		1.500"		
	BHP	Sone	BHP	Sone	BHP	Sone	BHP	Sone	BHP	Sone	BHP	Sone	BHP	Sone	BHP	Sone	BHP	Sone	BHP	Sone	BHP	Sone	
374	2116		1226																				
	0.05	3.6	0.05	3.5																			
459	2596		1993		961																		
	0.10	5.1	0.10	5.0	0.08	4.6																	
469	2653		2078		1093																		
	0.10	5.5	0.11	5.0	0.09	4.7																	
527	2981		2500		1714																		
	0.14	6.7	0.16	6.1	0.14	5.5																	
550	3111		2659		1934		1006																
	0.16	6.8	0.18	6.6	0.17	6.2	0.13	5.5															
594	3360		2958		2337		1559																
	0.21	7.8	0.22	7.5	0.22	7.0	0.19	6.2															
632	3575		3209		2671		1962		1117														
	0.25	8.8	0.26	8.1	0.27	7.6	0.25	6.8	0.19	6.8													
689	3898		3561		3139		2512		1834		979												
	0.32	10.0	0.34	9.2	0.35	8.8	0.34	8.1	0.30	7.7	0.22	7.3											
710	4016		3690		3288		2705		2061		1298												
	0.35	10.4	0.37	10.0	0.38	9.2	0.37	8.3	0.34	8.2	0.27	7.9											
805	4554		4266		3947		3537		2988		1804												
	0.51	12.8	0.53	11.8	0.55	11.2	0.56	10.2	0.54	10.2	0.50	9.8	0.45	9.0									
886	5012		4751		4489		4143		3710		3211		2695		2142		1469						
	0.69	15.9	0.71	14.5	0.73	13.4	0.74	12.9	0.74	11.9	0.71	11.3	0.67	10.8	0.61	9.8	0.50	9.7					
907	5131		4875		4620		4290		3891		3404		2910		2377		1768						
	0.74	16.2	0.76	14.7	0.78	14.4	0.79	13.3	0.79	12.7	0.77	12.1	0.73	11.2	0.68	10.7	0.59	10.0					
1006	5691		5461		5230		4970		4663		4282		3843		3402		2934		1863				
	1.00	19.1	1.03	17.8	1.05	16.8	1.07	16.2	1.09	15.0	1.08	14.4	1.06	13.8	1.02	12.5	0.97	12.4	0.78	12.0			
1140	6449		6246		6042		5839		5592		5322		5015		4628		4240		3440		2572		
	1.46	24	1.49	22	1.51	21	1.54	19.7	1.56	18.8	1.58	17.8	1.58	17.2	1.56	15.7	1.53	15.8	1.42	15.6	1.27	15.8	
1255	7099		6915		6730		6546		6361		6119		5873		5616		5264		4560		3832		
	1.95	28	1.98	26	2.01	24	2.04	23	2.07	22	2.09	21	2.10	19.9	2.12	18.9	2.10	17.9	2.03	17.7	1.91	17.8	

PERFORMANCE DATA																							
CFM and Sones vs. Static Pressure																							
RPM	.000"		.125"		.250"		.375"		.500"		.625"		.750"		.875"		1.000"		1.250"		1.500"		
	BHP	Sone	BHP	Sone	BHP	Sone	BHP	Sone	BHP	Sone	BHP	Sone	BHP	Sone	BHP	Sone	BHP	Sone	BHP	Sone	BHP	Sone	
358	2833		2061																				
	0.06	3.0	0.08	3.1																			
398	3150		2502		1361																		
	0.08	4.0	0.10	3.9	0.10	3.9																	
465	3680		3138		2399		1048																
	0.13	5.3	0.16	5.3	0.17	5.1	0.13	5.0															
514	4068		3586		3001		2120																
	0.18	6.3	0.21	6.4	0.23	6.4	0.23	6.0															
532	4210		3747		3202		2391		966														
	0.20	6.8	0.23	6.7	0.25	6.6	0.26	6.4	0.18	6.2													
573	4534		4105		3640		2988		2107														
	0.25	7.6	0.28	7.5	0.31	7.3	0.32	7.3	0.31	7.1													
595	4709		4295		3851		3282		2471		1090												
	0.28	8.1	0.31	8.2	0.34	8.2	0.36	7.6	0.36	7.7	0.25	7.3											
669	5294		4926		4543		4113		3554		2820		1882										
	0.39	10.2	0.43	10.0	0.46	10.0	0.50	9.3	0.52	9.3	0.51	9.0	0.44	8.7									
672	5318		4952		4571		4145		3597		2865		1975										
	0.40	9.8	0.43	10.0	0.47	9.9	0.50	9.6	0.52	9.5	0.52	9.2	0.45	9.1									
734	5809		5473		5135		4766		4324		3775		3106		2354								
	0.52	11.8	0.56	11.6	0.60	11.5	0.63	11.4	0.66	11.2	0.68	10.9	0.68	10.7	0.61	9.9							
773	6117		5799		5481		5134		4754		4294		3686		3053		2188						
	0.61	13.1	0.65	12.8	0.69	12.9	0.73	12.6	0.76	12.5	0.79	12.0	0.80	11.3	0.78	11.1	0.68	10.9					
855	6766		6478		6191		5891		5575		5214		4798		4273		3699		2157				
	0.82	15.7	0.87	15.8	0.91	15.7	0.96	15.4	1.00	15.3	1.04	14.2	1.07	14.2	1.08	13.0	1.07	12.8	0.87	12.6			
966	7645		7390		7135		6880		6608		6328		6033		5664		5295		4287			3173	
	1.18	19.8	1.23	19.7	1.29	19.3	1.34	18.9	1.39	18.6	1.44	17.7	1.48	17.8	1.51	16.3	1.55	16.3	1.55	15.7	1.41	14.6	
1050	8309		8075		7841		7606		7369		7112		6854		6587		6248		5510		4573		
	1.52	23	1.57	23	1.63	23	1.69	22	1.75	22	1.80	20	1.85	20	1.90	19.0	1.94	19.0	2.00	18.1	1.99	17.3	

Performance certified is for Installation Type A: Free Inlet, Free Outlet. Performance ratings do not include the effects of appurtenances (accessories). Power rating (BHP) does not include transmission losses. The sound ratings shown are loudness values in hemispherical sones at 1.5 m (5ft) in a hemispherical free field calculated per AMCA Standard 301. Values shown are for Installation Type A: Free Inlet hemispherical sone levels. The brake horsepower capability of an exhaustor motor is dependent on the degree of cooling the motor receives from the air moving through the motor. The motor loading beyond the motor nameplate rating does not overheat the motor and is in accordance with the motor manufacturer's recommendations. It is therefore not detrimental to the motor and is economically desirable.



PV240

Centrifugal Exhausters

PERFORMANCE DATA																						
CFM and Sones vs. Static Pressure																						
RPM	.000"		.125"		.250"		.375"		.500"		.625"		.750"		.875"		1.000"		1.250"		1.500"	
	BHP	Sone	BHP	Sone	BHP	Sone	BHP	Sone	BHP	Sone	BHP	Sone	BHP	Sone	BHP	Sone	BHP	Sone	BHP	Sone	BHP	Sone
371	3145		2386		637																	
	0.08	4.0	0.10	3.7	0.06	3.7																
375	3179		2434		802																	
	0.08	4.2	0.10	3.8	0.07	3.7																
434	3679		3078		2118																	
	0.12	5.4	0.15	4.9	0.15	4.9																
497	4213		3723		3037		1966															
	0.18	6.9	0.21	6.4	0.23	6.2	0.22	6.0														
526	4459		4010		3390		2496		961													
	0.22	7.6	0.24	7.0	0.27	7.0	0.27	6.6	0.18	6.7												
537	4553		4112		3521		2686		1387													
	0.23	7.9	0.26	7.3	0.29	7.1	0.29	6.9	0.22	7.1												
572	4849		4436		3912		3239		2233													
	0.28	8.9	0.31	8.4	0.34	7.9	0.36	7.7	0.33	7.8												
614	5205		4820		4356		3785		3000		1982											
	0.34	9.8	0.38	9.6	0.41	9.3	0.44	9.0	0.44	8.7	0.37	8.6										
663	5621		5264		4861		4376		3779		2934		1873									
	0.43	11.3	0.47	10.7	0.51	10.8	0.54	10.4	0.56	10.3	0.54	9.6	0.44	9.5								
729	6180		5856		5526		5094		4615		4035		3263		2396							
	0.57	13.7	0.61	13.3	0.66	12.4	0.70	12.2	0.73	12.2	0.74	11.7	0.72	11.6	0.63	10.5						
759	6435		6123		5811		5408		4975		4469		3791		3000		1947					
	0.65	15.0	0.69	14.4	0.73	14.0	0.78	13.5	0.82	13.5	0.84	12.1	0.83	12.6	0.78	11.2	0.63	11.6				
820	6952		6663		6375		6035		5651		5219		4751		4098		3371					
	0.82	17.2	0.86	16.9	0.91	15.5	0.95	15.0	1.00	15.3	1.04	14.2	1.06	14.5	1.05	12.7	1.00	13.5				
938	7952		7700		7448		7196		6879		6543		6193		5783		5351		4156		2661	
	1.22	21	1.27	21	1.33	19.7	1.38	19.1	1.43	19.7	1.49	17.8	1.54	18.3	1.56	16.9	1.59	16.7	1.52	16.2	1.25	15.9
1033	8757		8529		8300		8071		7835		7530		7225		6920		6551		5738		4652	
	1.63	26	1.69	26	1.75	24	1.81	23	1.86	23	1.92	21	1.98	22	2.04	20	2.07	20	2.11	18.8	2.04	18.5

PV260

PERFORMANCE DATA																						
CFM and Sones vs. Static Pressure																						
RPM	.000"		.125"		.250"		.375"		.500"		.625"		.750"		.875"		1.000"		1.250"		1.500"	
	BHP	Sone	BHP	Sone	BHP	Sone	BHP	Sone	BHP	Sone	BHP	Sone	BHP	Sone	BHP	Sone	BHP	Sone	BHP	Sone	BHP	Sone
286	3380		2389																			
	0.06	7.3	0.09	6.6																		
317	3747		2866		1512																	
	0.08	7.7	0.11	7.1	0.11	7.1																
356	4208		3427		2469																	
	0.11	8.3	0.15	7.7	0.17	7.6																
419	4953		4263		3605		2649															
	0.18	5.3	0.23	5.2	0.27	5.2	0.28	5.0														
456	5390		4740		4169		3417		2355													
	0.24	6.3	0.28	5.9	0.33	6.0	0.36	6.1	0.34	6.0												
462	5461		4817		4259		3530		2522													
	0.24	6.5	0.29	6.2	0.34	6.3	0.37	6.3	0.36	6.2												
482	5697		5071		4554		3899		3018													
	0.28	7.0	0.33	6.6	0.38	6.6	0.41	6.7	0.42	6.7												
518	6123		5530		5043		4490		3784		2860											
	0.34	7.7	0.40	7.5	0.45	7.6	0.50	7.6	0.53	7.7	0.51	7.2										
526	6217		5634		5150		4614		3936		3080											
	0.36	8.2	0.42	7.8	0.47	7.9	0.52	7.7	0.55	7.7	0.55	7.5										
570	6737		6199		5734		5278		4746		4056		3204									
	0.46	9.3	0.52	8.8	0.58	8.9	0.63	8.9	0.68	9.2	0.70	8.7	0.69	8.5								
607	7175		6669		6216		5805		5322		4754		4066		3221							
	0.55	10.4	0.62	10.0	0.68	10.5	0.74	10.5	0.80	10.7	0.83	10.2	0.85	9.9	0.82	9.5						
646	7636		7160		6718		6332		5913		5443		4854		4179		3362					
	0.67	12.1	0.74	11.5	0.80	12.0	0.87	11.8	0.93	11.7	0.99	11.6	1.01	11.4	1.02	10.9	0.98	10.7				
690	8156		7711		7277		6916		6554		6123		5666		5096		4454		2596			
	0.81	13.9	0.89	13.5	0.96	13.8	1.03	13.7	1.10	13.5	1.16	13.2	1.21	13.2	1.24	12.1	1.24	12.2	1.06	11.4		
738	8723		8307		7891		7543		7205		6845		6434		5988		5455		4195			
	1.00	15.8	1.07	15.5	1.15	15.5	1.23	16.0	1.30	15.8	1.37	14.9	1.44	14.6	1.49	14.0	1.52	14.0	1.50	13.4		
780	9220		8826		8432		8084		7765		7445		7074		6685		6237		5170		3803	
	1.18	17.1	1.26	17.0	1.34	17.0	1.42	17.5	1.50	17.6	1.58	17.1	1.65	16.4	1.72	15.6	1.76	15.3	1.80	14.9	1.69	14.9
821	9704		9330		8956		8607		8304		8000		7684		7315		6946		6021		4914	
	1.37	18.9	1.46	18.6	1.55	18.7	1.63	19.4	1.72	19.4	1.80	19.2	1.88	18.3	1.95	17.0	2.02	16.8	2.09	16.5	2.08	16.4

Performance certified is for Installation Type A: Free Inlet, Free Outlet. Performance ratings do not include the effects of appurtenances (accessories). Power rating (BHP) does not include transmission losses. The sound ratings shown are loudness values in hemispherical sones at 1.5 m (5ft) in a hemispherical free field calculated per AMCA Standard 301. Values shown are for Installation Type A: Free Inlet hemispherical sone levels. The brake horsepower capability of an exhauster motor is dependent on the degree of cooling the motor receives from the air moving through the motor. The motor loading beyond the motor nameplate rating does not overheat the motor and is in accordance with the motor manufacturer's recommendations. It is therefore not detrimental to the motor and is economically desirable.

PV300

PERFORMANCE DATA																						
CFM and Sones vs. Static Pressure																						
RPM	.000"		.125"		.250"		.375"		.500"		.625"		.750"		.875"		1.000"		1.250"		1.500"	
	BHP	Sone	BHP	Sone	BHP	Sone	BHP	Sone	BHP	Sone	BHP	Sone	BHP	Sone	BHP	Sone	BHP	Sone	BHP	Sone	BHP	Sone
295	4243		3260																			
	0.08	6.4	0.11	5.3																		
329	4732		3863		2770																	
	0.11	7.5	0.15	6.9	0.17	5.4																
394	5666		4940		4187		3165															
	0.20	9.7	0.23	8.8	0.27	7.8	0.29	7.0														
427	6141		5469		4787		3975		2331													
	0.25	10.8	0.29	10.1	0.33	9.2	0.37	8.2	0.33	7.4												
442	6357		5707		5054		4295		3231													
	0.28	11.4	0.32	10.6	0.36	9.8	0.40	8.8	0.41	8.0												
493	7090		6505		5934		5320		4588		3547											
	0.38	13.3	0.43	12.6	0.48	12.4	0.53	10.9	0.56	10.1	0.56	9.3										
533	7665		7124		6593		6042		5434		4701		3494									
	0.48	14.7	0.54	14.4	0.59	13.8	0.64	12.7	0.69	11.7	0.72	10.9	0.69	10.3								
559	8039		7523		7016		6501		5954		5298		4523		2657							
	0.56	15.7	0.62	15.3	0.67	14.8	0.72	13.9	0.78	12.9	0.82	11.9	0.83	11.4	0.69	11.0						
587	8442		7950		7466		6986		6466		5890		5228		4400							
	0.65	16.7	0.71	16.1	0.76	15.8	0.82	15.1	0.88	14.2	0.92	13.1	0.96	12.7	0.96	12.0						
605	8701		8224		7753		7287		6790		6263		5645		4916		3378					
	0.71	17.4	0.77	16.8	0.83	16.3	0.88	15.8	0.94	14.9	1.00	13.8	1.04	13.5	1.06	12.8	0.94	12.3				
682	9808		9385		8963		8550		8137		7692		7244		6706		6140		4169			
	1.01	20	1.08	19.8	1.15	19.3	1.22	19.1	1.28	18.4	1.35	19.2	1.41	18.8	1.46	18.0	1.50	17.6	1.41	16.9		
690	9923		9505		9087		8679		8271		7834		7391		6874		6333		4617			
	1.05	21	1.12	20	1.19	19.6	1.26	19.5	1.32	18.8	1.39	17.6	1.45	17.2	1.51	16.4	1.55	16.0	1.51	15.2		
759	10916		10535		10155		9781		9410		9039		8638		8235		7792		6778		5232	
	1.40	24	1.47	23	1.55	23	1.63	22	1.70	22	1.77	20	1.84	20	1.92	19.4	1.98	19.0	2.07	17.8	2.02	16.9
833	11980		11633		11287		10942		10604		10266		9928		9563		9196		8389		7464	
	1.84	27	1.93	26	2.02	26	2.10	26	2.18	25	2.26	24	2.33	24	2.41	23	2.50	22	2.64	21	2.74	20

PV365

PERFORMANCE DATA																								
CFM and Sones vs. Static Pressure																								
RPM	.000"		.125"		.250"		.375"		.500"		.625"		.750"		.875"		1.000"		1.250"		1.500"		2.000"	
	BHP	Sone	BHP	Sone	BHP	Sone	BHP	Sone	BHP	Sone	BHP	Sone	BHP	Sone	BHP	Sone	BHP	Sone	BHP	Sone	BHP	Sone	BHP	Sone
230	5984		4470																					
	0.12	5.5	0.16	4.6																				
282	7336		6127		4771																			
	0.22	7.5	0.26	6.9	0.30	5.8																		
302	7857		6733		5531		1685																	
	0.27	8.2	0.32	7.6	0.36	7.1	0.23	6.0																
345	8975		8003		6974		5829																	
	0.40	10.0	0.46	9.1	0.51	8.8	0.56	7.8																
376	9782		8894		7962		6985		5769															
	0.52	11.2	0.58	10.5	0.64	10.0	0.70	9.8	0.73	8.4														
399	10380		9544		8671		7764		6755		4517													
	0.62	12.2	0.68	11.6	0.75	11.1	0.81	10.7	0.86	9.6	0.78	7.4												
419	10900		10104		9278		8426		7526		6349													
	0.71	13.1	0.78	12.6	0.85	12.2	0.92	11.6	0.98	10.7	1.00	10.0												
428	11135		10355		9549		8719		7853		6836		2699											
	0.76	13.5	0.83	13.0	0.90	12.6	0.98	12.0	1.04	11.2	1.07	10.4	0.70	9.9										
487	12670		11984		11291		10569		9833		9072		8207		6863									
	1.12	16.1	1.20	16.5	1.28	15.2	1.37	14.6	1.45	14.3	1.51	13.4	1.56	12.7	1.55	12.6								
493	12826		12149		11466		10752		10029		9277		8442		7308		2695							
	1.16	16.3	1.24	16.7	1.32	15.4	1.41	14.9	1.49	14.5	1.56	13.9	1.62	13.1	1.63	13.2	0.99	12.7						
542	14100		13485		12869		12227		11578		10913		10229		9486		8672							
	1.54	18.5	1.63	18.5	1.72	17.4	1.82	17.3	1.91	16.7	2.00	16.0	2.07	15.9	2.13	15.1	2.18	14.3						
601	15635		15080		14525		13961		13376		12790		12192		11575		10958		9496					
	2.10	21	2.20	21	2.30	20	2.40	20	2.51	19.6	2.61	19.1	2.71	18.9	2.79	18.4	2.88	17.7	2.98	17.2				
616	16026		15484		14942		14396		13825		13254		12678		12077		11475		10095		6720			
	2.26	22	2.36	22	2.47	21	2.57	21	2.68	20	2.79	19.8	2.89	19.6	2.98	19.1	3.06	18.6	3.18	17.8	2.84	16.5		
732	19043		18587		18132		17676		17220		16740		16260		15779		15298		14292		13274		10056	
	3.80	28	3.92	28	4.04	28	4.16	27	4.28	26	4.41	25	4.54	25	4.67	25	4.79	25	5.01	23	5.21	23	5.24	21

Performance certified is for Installation Type A: Free Inlet, Free Outlet. Performance ratings do not include the effects of appurtenances (accessories). Power rating (BHP) does not include transmission losses. The sound ratings shown are loudness values in hemispherical sones at 1.5 m (5ft) in a hemispherical free field calculated per AMCA Standard 301. Values shown are for Installation Type A: Free Inlet hemispherical sone levels. The brake horsepower capability of an exhaustor motor is dependent on the degree of cooling the motor receives from the air moving through the motor. The motor loading beyond the motor nameplate rating does not overheat the motor and is in accordance with the motor manufacturer's recommendations. It is therefore not detrimental to the motor and is economically desirable.



PV425

Centrifugal Exhausters

PERFORMANCE DATA																						
CFM and Sones vs. Static Pressure																						
RPM	.000"		.125"		.250"		.375"		.500"		.625"		.750"		.875"		1.000"		1.250"		1.500"	
	BHP	Sone	BHP	Sone	BHP	Sone	BHP	Sone	BHP	Sone	BHP	Sone	BHP	Sone	BHP	Sone	BHP	Sone	BHP	Sone	BHP	Sone
177	7269		4926																			
	0.12	5.3	0.16	3.8																		
212	8707		6814																			
	0.20	6.9	0.25	5.6																		
248	10185		8587		6825																	
	0.32	8.7	0.38	7.6	0.44	6.0																
265	10883		9395		7805																	
	0.39	9.5	0.46	8.4	0.52	7.1																
291	11951		10606		9181		7573															
	0.51	10.9	0.59	9.9	0.66	9.1	0.72	8.5														
301	12362		11066		9697		8192															
	0.57	11.4	0.64	11.0	0.73	9.7	0.79	8.4														
326	13389		12197		10946		9637		8114													
	0.72	12.8	0.80	12.3	0.89	11.3	0.97	9.6	1.02	9.04												
336	13799		12643		11433		10172		8744													
	0.79	13.3	0.87	12.9	0.97	11.9	1.05	10.3	1.10	9.8												
383	15730		14715		13673		12603		11480		10232		8115									
	1.16	16.0	1.26	15.0	1.37	14.3	1.47	13.8	1.56	12.2	1.63	12.2	1.60	12.2								
384	15771		14759		13720		12653		11534		10294		8234									
	1.17	16.0	1.27	15.1	1.38	14.4	1.48	13.9	1.57	12.3	1.64	12.2	1.62	12.2								
422	17331		16411		15481		14510		13525		12502		11359		9745							
	1.56	18.1	1.67	18.5	1.78	16.8	1.90	16.2	2.01	15.1	2.10	14.4	2.17	14.1	2.18	14.1						
464	19056		18219		17382		16508		15625		14718		13788		12771		11663					
	2.07	21	2.19	21	2.31	19.3	2.44	18.4	2.57	18.1	2.68	16.8	2.79	15.7	2.87	15.6	2.93	15.6				
479	19672		18861		18050		17210		16354		15490		14589		13677		12604		6906			
	2.28	21	2.40	22	2.53	20	2.66	19.4	2.79	19.0	2.92	17.7	3.02	16.9	3.13	16.5	3.19	16.4	2.57	16.4		
575	23615		22939		22264		21588		20889		20177		19464		18749		17998		16496		14708	
	3.94	27	4.09	28	4.24	26	4.39	26	4.55	25	4.71	24	4.86	24	5.02	23	5.15	22	5.41	22	5.55	22

PV490

PERFORMANCE DATA																								
CFM and Sones vs. Static Pressure																								
RPM	.000"		.125"		.250"		.375"		.500"		.625"		.750"		.875"		1.000"		1.250"		1.500"		2.000"	
	BHP	Sone	BHP	Sone	BHP	Sone	BHP	Sone	BHP	Sone	BHP	Sone	BHP	Sone	BHP	Sone	BHP	Sone	BHP	Sone	BHP	Sone	BHP	Sone
168	10400		7253																					
	0.18	6.3	0.25	5.5																				
207	12815		10363		7283																			
	0.33	8.5	0.42	8.0	0.48	7.4																		
239	14796		12676		10385		7203																	
	0.51	10.5	0.62	9.8	0.71	9.1	0.72	8.4																
249	15415		13377		11277		8443																	
	0.57	11.1	0.69	10.5	0.79	9.8	0.83	9.4																
257	15910		13933		11937		9283																	
	0.63	11.6	0.75	11.0	0.86	10.4	0.91	10.0																
276	17086		15239		13398		11189		8321															
	0.78	12.8	0.90	12.3	1.03	11.8	1.11	11.4	1.11	10.4														
288	17829		16055		14302		12292		9800															
	0.88	13.6	1.01	12.6	1.15	13.2	1.25	12.1	1.28	11.6														
310	19191		17537		15926		14248		12077		9494													
	1.10	15.1	1.24	15.1	1.40	14.2	1.52	13.5	1.59	13.4	1.58	12.7												
345	21358		19871		18418		16936		15314		13341		11120		7571									
	1.52	17.3	1.67	17.3	1.84	16.5	2.00	16.0	2.12	15.4	2.19	14.9	2.20	14.4	1.95	14.3								
371	22967		21585		20226		18870		17468		15796		13908		11794		8639							
	1.89	19.1	2.05	19.1	2.23	18.2	2.41	17.9	2.56	17.3	2.67	16.8	2.73	16.7	2.72	16.2	2.49	15.7						
398	24639		23350		22075		20824		19528		18209		16533		14742		12791							
	2.33	21	2.50	21	2.69	20	2.90	19.9	3.06	19.3	3.22	18.8	3.32	18.6	3.37	18.0	3.37	17.4						
441	27301		26138		24974		23845		22713		21533		20353		18874		17341		13773					
	3.17	24	3.36	24	3.56	23	3.79	23	4.01	23	4.18	21	4.36	22	4.47	21	4.57	21	4.56	21				
474	29344		28261		27179		26119		25069		23996		22899		21801		20408		17444		13866			
	3.94	26	4.14	26	4.35	26	4.59	25	4.83	25	5.05	24	5.24	24	5.42	23	5.54	23	5.69	23	5.60	23		
537	33244		32288		31333		30379		29452		28525		27590		26621		25652		23453		20924		14603	
	5.73	31	5.96	31	6.19	31	6.43	31	6.71	30	6.99	29	7.26	29	7.47	29	7.68	29	8.03	28	8.26	28	8.04	27

Performance certified is for Installation Type A: Free Inlet, Free Outlet. Performance ratings do not include the effects of appurtenances (accessories). Power rating (BHP) does not include transmission losses. The sound ratings shown are loudness values in hemispherical sones at 1.5 m (5ft) in a hemispherical free field calculated per AMCA Standard 301. Values shown are for Installation Type A: Free Inlet hemispherical sone levels. The brake horsepower capability of an exhauster motor is dependent on the degree of cooling the motor receives from the air moving through the motor. The motor loading beyond the motor nameplate rating does not overheat the motor and is in accordance with the motor manufacturer's recommendations. It is therefore not detrimental to the motor and is economically desirable.

PV543

PERFORMANCE DATA																																		
RPM	CFM and Sones vs. Static Pressure																																	
	.000"		.125"		.250"		.375"		.500"		.625"		.750"		.875"		1.000"		1.250"		1.500"		2.000"											
	BHP	Sone	BHP	Sone	BHP	Sone	BHP	Sone	BHP	Sone	BHP	Sone	BHP	Sone	BHP	Sone	BHP	Sone	BHP	Sone	BHP	Sone	BHP	Sone	BHP	Sone								
166	13956		10807																						Fan Model	HP	RPM Range	Est. Unit Wt. lbs.	Est. Ship Wt. lbs.					
	0.32	7.7	0.41	7.0																							PV543J	1	166-221	873	978			
168	14125		11025																								PV543K	1 1/2	168-257	865	970			
	0.33	7.8	0.43	7.1																									PV543L	2	214-283	892	997	
214	17992		15527		12968		8785																				PV543M	3	230-326	886	991			
	0.68	11.0	0.81	10.7	0.92	9.8	0.90	9.2																					PV543N	5	297-380	942	1058	
221	18581		16183		13759		10195																						PV543P	7 1/2	366-437	949	1066	
	0.75	11.5	0.88	11.2	1.00	10.4	1.02	10.1																							PV543R	10	400-483	961
230	19337		17018		14760		11710																											
	0.85	12.2	0.98	12.0	1.11	11.1	1.16	10.7																										
257	21607		19489		17586		15299		12087																									
	1.18	14.2	1.34	14.7	1.48	13.4	1.61	12.6	1.60	12.2																								
283	23793		21858		20100		18222		15883		12759																							
	1.58	16.2	1.75	16.3	1.91	15.5	2.06	14.8	2.16	14.4	2.13	13.6																						
297	24970		23127		21428		19748		17693		15128		10274																					
	1.82	17.3	2.00	17.3	2.18	16.7	2.34	16.0	2.48	15.3	2.50	14.1	2.21	14.4																				
326	27408		25729		24135		22634		20955		19023		16662		13083																			
	2.41	19.5	2.61	19.6	2.80	19.1	2.98	18.4	3.15	17.8	3.29	17.0	3.31	17.3	3.14	16.4																		
366	30771		29275		27793		26456		25119		23596		21928		19890		17534																	
	3.41	23	3.63	23	3.86	23	4.06	22	4.27	21	4.45	20	4.62	20	4.67	20	4.65	19.7																
380	31949		30508		29067		27769		26482		25124		23518		21756		19731		11942															
	3.81	24	4.05	24	4.29	24	4.50	23	4.71	23	4.91	21	5.09	22	5.21	21	5.24	21	4.45	19.6														
400	33630		32261		30892		29627		28404		27181		25745		24219		22432		18005															
	4.44	26	4.69	26	4.94	26	5.17	25	5.40	25	5.62	23	5.82	23	6.00	22	6.09	23	6.01	21														
437	36741		35488		34235		33018		31898		30779		29659		28352		26955		23712		19517													
	5.79	29	6.07	29	6.34	29	6.61	29	6.85	28	7.09	27	7.33	27	7.55	26	7.75	26	7.95	24	7.83	25												
483	40608		39475		38341		37207		36154		35141		34128		33115		32033		29506		26552		16008											
	7.82	33	8.12	33	8.43	33	8.73	33	9.01	33	9.28	31	9.55	32	9.81	30	10.07	31	10.52	29	10.73	29	9.35	27										

Performance certified is for Installation Type A: Free Inlet, Free Outlet. Performance ratings do not include the effects of appurtenances (accessories). Power rating (BHP) does not include transmission losses. The sound ratings shown are loudness values in hemispherical sones at 1.5 m (5ft) in a hemispherical free field calculated per AMCA Standard 301. Values shown are for Installation Type A: Free Inlet hemispherical sone levels. The brake horsepower capability of an exhauster motor is dependent on the degree of cooling the motor receives from the air moving through the motor. The motor loading beyond the motor nameplate rating does not overheat the motor and is in accordance with the motor manufacturer's recommendations. It is therefore not detrimental to the motor and is economically desirable.

For more information on this product contact your sales support.





Est. 1938

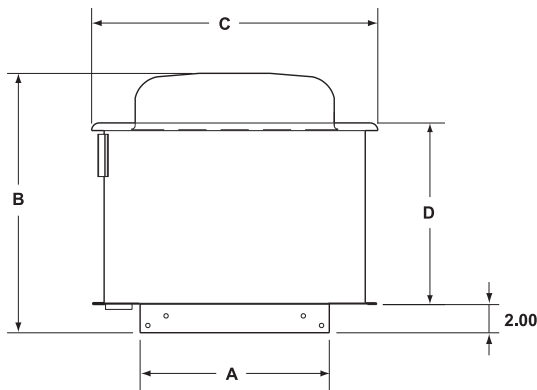
Direct Drive Centrifugal Roof/Wall Exhauster

Models PDURF and PDURG Restaurant Exhauster



Centrifugal Exhausters

Models PDURF and PDURG (restaurant exhauster) are direct drive upblast centrifugal exhausters. Capacities up to 5,317 CFM and up to 1 1/4 inch static pressure. The PDURF is a clean air ventilator designed for high velocity vertical discharge. Model PDURG is ideally suited for removal of grease laden exhaust found in restaurant and commercial kitchen applications. Other applications include a wide range of commercial, industrial, and institutional facilities such as schools, hospitals, prisons, and assembly areas.



DIMENSIONS

Fan Model	A	B	C	D	Roof Opening * ‡	Est. Unit Wt.	Est. Ship Wt.	Damper Model	Roof Curb ‡	
									RF	RG
PDU080	13.50	13.06	20.63	12.84	9 x 9	23	36	AR8.75	C12	CR12
PDU100	13.50	16.10	20.63	12.84	9 x 9	30	43	AR8.75	C12	CR12
PDU110	13.50	16.41	20.63	12.84	9 x 9	30	43	AR8.75	C12	CR12
PDU120	19.00	19.48	26.41	16.59	14.5 x 14.5	50	72	AR14	C17.5	CR17.5
PDU135	19.00	20.87	26.41	16.59	14.5 x 14.5	50	72	AR14	C17.5	CR17.5
PDU150	24.00	23.89	30.16	21.92	19.5 x 19.5	76	102	AR18	C22.5	CR22.5
PDU165	24.00	23.89	30.16	21.92	19.5 x 19.5	76	102	AR18	C22.5	CR22.5
PDU185	28.00	25.75	34.65	21.99	23.5 x 23.5	94	179	AR22	C26.5	CR26.5
PDU200	28.00	25.75	34.65	21.99	23.5 x 23.5	94	179	AR22	C26.5	CR26.5

Dimensions are shown in inches.

Weights are shown in pounds.

*Recommended maximum.

‡ Please contact your local representative for correct rated sizing for hurricane construction

Construction Features

Housing

- Windband constructed of heavy gauge aluminum with rolled bead for strength
- Sealed windband perimeter to prevent leakage
- Quick release latches allow easy removal of motor compartment cover without special tools
- Heavy gauge galvanized wire birdscreen (PDURF only)
- Aluminum curb cap

Centrifugal Wheel

- Aluminum construction backward curved blade
- Non-overloading design for safe operation
- Wheel optimally matched with die-formed orifice
- Precision balanced for smooth vibration free operation



Motors

- Continuous duty motors with sealed ball bearings located outside the airstream
- Large breather tube directs outside air into the motor compartment resulting in maximum life
- Motor compartment cooled by fins located on top of impeller

Options/Accessories

- Roof Curbs
- Dampers
- Coatings
- Wall Bracket (PDU080-200)
- Birdscreen (PDURG)
- Grease Trough
- Curb Hinge



Acme Engineering & Manufacturing Corporation certifies that the models shown herein are licensed to bear the AMCA seal. The ratings shown are based on tests and procedures performed in accordance with AMCA Publication 211 and AMCA Publication 311 and comply with the requirements of the AMCA Certified Ratings Program.



Model PDURF is Listed for Electrical (UL/C-UL 705) File No. E39982.
Model PDURG is Listed for (UL 762) File No. MH11542.

Consult your Acme representative for availability.

PERFORMANCE DATA																						
Fan Model	Motor		CFM and Sones vs. Static Pressure																		Max. BHP	
	HP	RPM	.000"		.125"		.250"		.375"		.500"		.625"		.750"		1.000"		1.250"			
			CFM	Sone	CFM	Sone	CFM	Sone	CFM	Sone	CFM	Sone	CFM	Sone	CFM	Sone	CFM	Sone	CFM	Sone		CFM
PDU080	1/10	1600	385	9.7	368	9.5	350	9.2	323	8.8	253	8.5									.040	
		1300	313	7.4	292	7.7	261	11.0														.020
PDU100	1/10	1630	850	12.0	788	11.8	735	11.3	681	10.6	625	9.6	573	8.9							.085	
		1300	678	8.3	604	7.8	537	7.5	468	6.9												.042
PDU110	1/10	1550	1017	10.1	951	10.2	885	10.6	816	9.6	731	9.5	617	9.5	506	9.5					.098	
		1300	853	8.1	774	8.3	693	7.6	588	7.5	454	7.5	270	7.5								.057
		1050	689	6.0	591	6.2	468	5.5	292	5.5												.030
		860	564	4.5	441	4.2	243	4.2														
PDU120E4	1/4	1680	1753	13.8	1689	13.7	1611	13.6	1522	13.6	1433	13.5	1295	13.2	1155	13.1						.250
		1550	1617	13.5	1548	13.5	1457	13.1	1361	12.7	1233	12.4	1082	12.0								.200
		1300	1356	10.8	1269	9.9	1154	9.5	1001	9.6												.110
		1160	1210	9.0	1106	8.8	972	8.7	770	8.2												.080
		860	897	5.3	742	5.3																
PDU135F6	1/3	1160	1840	11.9	1718	11.6	1597	11.1	1470	11.0	1311	10.6									.164	
		1050	1665	10.5	1531	10.0	1397	9.7	1242	9.4												.122
		860	1364	8.5	1201	8.1	1020	7.6														.067
PDU135G4	1/2	1725	2736	20	2654	19.2	2572	19.2	2491	19.0	2410	18.5	2328	18.4	2243	18.3	2052	18.1	1782	17.5		.540
		1550	2458	17.6	2367	17.1	2276	16.9	2186	16.5	2095	16.2	2000	16.1	1897	16.0	1614	15.0				.392
		1300	2062	14.0	1953	13.6	1845	13.1	1737	12.9	1619	12.7	1473	12.0								.231
		1050	1665	10.5	1531	10.0	1397	9.7	1242	9.4												.122
		860	1364	8.5	1201	8.1	1020	7.6														.067
PDU150F6	1/3	1160	2230	11.6	2073	10.9	1911	9.9	1748	10.0	1583	9.5	1353	8.9							.220	
		860	1652	8.0	1439	8.4	1218	8.5	909	7.9												.090
PDU165G6	1/2	1160	3242	18.2	3087	18.5	2934	18.1	2781	17.0	2621	16.2	2439	16.1	2194	15.2	1692	15.9				.500
		1050	2935	15.9	2764	16.3	2595	16.0	2421	14.9	2227	13.7	1962	13.4	1680	13.8						.373
		860	2404	11.9	2196	12.4	1986	10.7	1725	10.6	1385	10.2										.205
PDU185G6	1/2	1160	4340	15.0	4193	15.0	4047	14.5	3900	14.0	3751	13.3	3602	12.6	3426	12.7					.600	
PDU200J6	1	1160	5317	19.5	5155	18.2	4994	17.8	4830	17.8	4657	17.0	4483	17.0	4305	16.8	3898	16.1	3415	15.4	1.215	

Performance certified is for Installation Type A: Free Inlet, Free Outlet. Performance ratings do not include the effects of appurtenances (accessories). The sound ratings shown are loudness values in hemispherical sones at 1.5 m (5ft) in a hemispherical free field calculated per AMCA Standard 301. Values shown are for Installation Type A: Free Inlet hemispherical sone levels. The brake horsepower capability of an exhauster motor is dependent on the degree of cooling the motor receives from the air moving through the motor. The motor loading beyond the motor nameplate rating does not overheat the motor and is in accordance with the motor manufacturer's recommendations. It is therefore not detrimental to the motor and is economically desirable. Maximum RPM shown obtained with the standard one speed motor, for all other RPM's use solid state controller.

For more information on this product contact your sales support.





Est. 1938

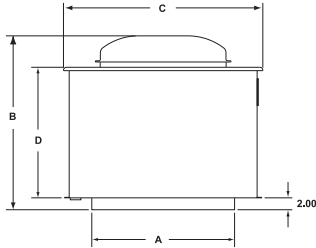
Belt Drive Centrifugal Roof/Wall Exhauster

Models PNURF and PNURG Restaurant Exhausters



Centrifugal Exhausters

Models PNURF and PNURG (restaurant exhauster) are belt drive upblast centrifugal exhausters. Capacities up to 33,374 CFM and up to 3 inches static pressure. Models PNUHP and PNUXP are high pressure exhausters for applications up to 5 inches static pressure. The PNURF is a clean air ventilator designed for high velocity vertical discharge. Model PNURG is ideally suited for removal of grease laden exhaust found in restaurant and commercial kitchen applications. Other applications include a wide range of commercial, industrial, and institutional facilities such as schools, hospitals, prisons, and assembly areas.



DIMENSIONS									
Fan Model		A	B	C	D	Roof Opening*‡	Damper Model	Roof Curb‡	
New	Former							RF	RG
PNU080	PNUXP080	24.00	26.35	33.66	22.09	19.5 x 19.5	AR18	C22.5	CR22.5
PNU100	PNUHP100	24.00	26.35	33.66	22.09	19.5 x 19.5	AR18	C22.5	CR22.5
PNU120	PNU120	24.00	27.37	33.50	22.13	19.5 x 19.5	AR18	C22.5	CR22.5
PNU135	PNU135	24.00	27.37	33.50	22.13	19.5 x 19.5	AR18	C22.5	CR22.5
PNU150	PNU150	28.00	25.92	38.00	22.46	23.5 x 23.5	AR22	C26.5	CR26.5
PNU155	PNUXP165	28.00	29.59	38.00	24.14	23.5 x 23.5	AR22	C26.5	CR26.5
PNU160	PNUHP165	28.00	25.59	38.00	24.14	23.5 x 23.5	AR22	C26.5	CR26.5
PNU165	PNU165	28.00	25.92	38.00	22.46	23.5 x 23.5	AR22	C26.5	CR26.5
PNU185	PNU185	28.00	31.56	39.75	28.73	23.5 x 23.5	AR22	C26.5	CR26.5
PNU200	PNU200	28.00	31.56	39.75	28.73	23.5 x 23.5	AR22	C26.5	CR26.5
PNU235	PNUXP245	34.00	35.01	44.67	31.42	29.5 x 29.5	AR28	C32.5	CR32.5
PNU240	PNUHP245	34.00	35.01	44.67	31.42	29.5 x 29.5	AR28	C32.5	CR32.5
PNU245	PNU245	34.00	38.76	44.75	31.50	29.5 x 29.5	AR28	C32.5	CR32.5
PNU290	PNUXP300	40.00	40.41	55.29	34.15	35.5 x 35.5	ARH34	C38.5	CR38.5
PNU295	PNUHP300	40.00	40.41	55.29	34.15	35.5 x 35.5	ARH34	C38.5	CR38.5
PNU300	PNU300	40.00	42.50	55.38	34.25	35.5 x 35.5	ARH34	C38.5	CR38.5
PNU355	PNUXP365	46.00	44.10	65.75	41.00	41.5 x 41.5	ARH40	C44.5	CR44.5
PNU360	PNUHP365	46.00	44.10	65.75	41.00	41.5 x 41.5	ARH40	C44.5	CR44.5
PNU365	PNU365	46.00	46.00	66.00	41.25	41.5 x 41.5	ARH40	C44.5	CR44.5
PNU425	PNU425	60.00	53.50	79.75	49.75	55.5 x 55.5	ARH54	C58.5	CR58.5
PNU490	PNU490	60.00	58.00	79.75	52.10	55.5 x 55.5	ARH54	C58.5	CR58.5

Dimensions are shown in inches.

*Recommended maximum.

‡ Please contact your local representative for correct rated sizing for hurricane

Construction Features

Housing

- Windband constructed of heavy gauge aluminum with rolled bead for strength
- Sealed windband perimeter to prevent leakage
- Wheel and drive assembly supported by rugged galvanized steel frame
- Quick release latches allow easy removal of motor compartment cover without special tools
- Aluminum curb cap (except smoke exhaust fans)

Centrifugal Wheel

- Aluminum construction backward curved blade (steel wheel for smoke exhaust fans)
- Non-overloading design for safe operation
- Wheel optimally matched with die-formed orifice
- Precision balanced for smooth vibration free operation



Bearings

- Permanently lubricated in an Acme D.S. pillow block housing
- Bearings are resiliently mounted in neoprene rings
- Rated at L₅₀ life of 200,000 hours
- 5 year limited warranty on Acme D.S. pillow block bearings

Drive Assembly

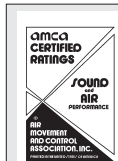
- Cast iron drives sized for 150% of drive horsepower
- Static free, oil and heat resistant belts

Motors

- Continuous duty motors located outside the airstream
- Large breather tube directs outside air into the motor compartment resulting in maximum life
- Motor compartment cooled by fins located on top of impeller

Options/Accessories

- Roof Curbs
- Dampers
- Coatings
- SE Option U.L. Listed "Power Ventilator for Smoke Control Systems"
- Wall Bracket (PNU080-245)
- Grease Trough
- Curb Hinge
- Pillow block bearings with 2 year warranty



Acme Engineering & Manufacturing Corporation certifies that the models shown herein are licensed to bear the AMCA seal. The ratings shown are based on tests and procedures performed in accordance with AMCA Publication 211 and AMCA Publication 311 and comply with the requirements of the AMCA Certified Ratings Program.



Model PNURF is Listed for Electrical (UL/C-UL 705) File No. E39982. Model PNURG is Listed for (UL 762) File No. MH11542.

Consult your Acme representative for availability.

PNU080 (PNUXP080)



Centrifugal Exhausters

PERFORMANCE DATA																				
CFM and Sones vs. Static Pressure																				
RPM	.000"		.250"		.500"		.750"		1.000"		1.250"		1.500"		1.750"		2.000"		2.250"	
	BHP	Sone	BHP	Sone	BHP	Sone	BHP	Sone	BHP	Sone	BHP	Sone	BHP	Sone	BHP	Sone	BHP	Sone	BHP	Sone
1324	330		271		211		117													
	0.05	5.0	0.06	4.7	0.06	4.7	0.06	4.9												
1633	407		360		310		262		190											
	0.09	7.0	0.10	6.7	0.11	6.4	0.11	6.1	0.12	6.7										
1673	417		371		322		277		211											
	0.10	7.3	0.11	7.1	0.12	6.7	0.12	6.5	0.12	7.0										
2110	526		488		452		413		377		339		289		225					
	0.20	11.4	0.21	11.2	0.22	10.7	0.23	10.3	0.24	10.2	0.25	10.5	0.25	10.8	0.25	11.1				
2130	531		493		458		419		384		347		299		236		155			
	0.21	11.5	0.22	11.4	0.23	10.9	0.24	10.5	0.25	10.4	0.25	10.6	0.26	10.9	0.26	11.3	0.24	11.7		
2333	582		546		516		480		445		414		380		338		281		224	
	0.27	13.2	0.28	13.1	0.30	12.5	0.31	12.2	0.32	11.9	0.33	11.9	0.33	12.2	0.34	12.5	0.34	12.9	0.33	13.3
2598	648		614		588		558		526		495		467		439		403		360	
	0.37	15.5	0.39	15.5	0.40	14.9	0.42	14.6	0.43	14.0	0.44	13.6	0.45	14.0	0.46	14.3	0.46	14.7	0.47	15.2
2833	707		674		650		625		596		567		538		512		487		456	
	0.49	17.7	0.50	17.6	0.52	17.0	0.53	16.8	0.54	16.0	0.56	15.3	0.57	15.7	0.58	16.0	0.59	16.3	0.60	17.0
2840	709		675		652		627		598		569		540		514		489		459	
	0.49	17.7	0.50	17.7	0.52	17.1	0.54	16.9	0.55	16.1	0.56	15.4	0.57	15.7	0.58	16.0	0.59	16.4	0.60	17.0
2877	718		685		662		637		609		580		552		526		501		473	
	0.51	18.1	0.52	18.1	0.54	17.4	0.56	17.2	0.57	16.4	0.58	15.7	0.59	16.0	0.61	16.3	0.62	16.7	0.62	17.0
3293	822		791		770		750		727		703		678		653		628		605	
	0.76	23	0.77	23	0.79	22	0.82	22	0.83	20	0.85	19.2	0.86	19.4	0.88	19.7	0.89	20	0.91	20
3378	843		813		792		772		751		727		703		678		654		631	
	0.82	24	0.83	24	0.85	23	0.88	23	0.90	21	0.91	20	0.93	20	0.94	21	0.96	21	0.97	21

CFM and Sones vs. Static Pressure																						
RPM	2.500"		2.750"		3.000"		3.250"		3.500"		3.750"		4.000"		4.250"		4.500"		4.750"		5.000"	
	BHP	Sone	BHP	Sone	BHP	Sone	BHP	Sone	BHP	Sone	BHP	Sone	BHP	Sone	BHP	Sone	BHP	Sone	BHP	Sone	BHP	Sone
2598	309		258		177																	
	0.47	15.4	0.46	15.8	0.44	16.2																
2833	423		379		332		285		224													
	0.60	17.1	0.61	17.4	0.61	17.8	0.60	18.1	0.58	18.5												
2840	425		382		335		288		232													
	0.61	17.1	0.61	17.5	0.61	17.8	0.60	18.2	0.59	18.5												
2877	439		401		354		308		262													
	0.63	17.4	0.63	17.7	0.64	18.1	0.63	18.4	0.62	19.1												
3293	583		562		535		506		475		435		394		354		313		251			
	0.92	21	0.93	21	0.94	21	0.94	22	0.95	22	0.95	22	0.95	23	0.94	23	0.93	23	0.91	24		
3378	610		588		566		538		510		477		437		398		358		319		257	
	0.98	22	1.00	22	1.01	22	1.01	22	1.02	23	1.03	23	1.03	23	1.03	24	1.02	24	1.01	25	0.98	25

Performance certified is for Installation Type A: Free Inlet, Free Outlet. Performance ratings do not include the effects of appurtenances (accessories). Power rating (BHP) does not include transmission losses. The sound ratings shown are loudness values in hemispherical sones at 1.5 m (5ft) in a hemispherical free field calculated per AMCA Standard 301. Values shown are for Installation Type A: Free Inlet hemispherical sone levels. The brake horsepower capability of an exhauster motor is dependent on the degree of cooling the motor receives from the air moving through the motor. The motor loading beyond the motor nameplate rating does not overheat the motor and is in accordance with the motor manufacturer's recommendations. It is therefore not detrimental to the motor and is economically desirable.



PNU100 (PNUHP100)



Centrifugal Exhausters

PERFORMANCE DATA																				
CFM and Sones vs. Static Pressure																				
RPM	.000"		.250"		.500"		.750"		1.000"		1.250"		1.500"		1.750"		2.000"		2.250"	
	BHP	Sone	BHP	Sone	BHP	Sone	BHP	Sone	BHP	Sone	BHP	Sone	BHP	Sone	BHP	Sone	BHP	Sone	BHP	Sone
942	500		359																	
	0.02	3.9	0.03	4.3																
1211	642		543		404															
	0.05	5.9	0.06	5.6	0.07	7.2														
1225	650		552		417															
	0.05	6.0	0.06	5.7	0.07	7.3														
1531	812		738		651		538		383											
	0.09	9.0	0.11	8.7	0.12	9.0	0.13	10.8	0.13	11.4										
1561	828		755		671		564		422											
	0.10	9.3	0.11	9.1	0.13	9.2	0.14	11.0	0.14	11.8										
1633	866		797		717		623		496											
	0.11	10.3	0.13	10.1	0.14	9.9	0.16	11.9	0.16	13.0										
1922	1020		960		898		828		746		645		528							
	0.18	16.9	0.20	16.5	0.22	16.1	0.24	16.7	0.25	19.2	0.26	21	0.26	21						
1983	1052		995		935		867		791		700		590							
	0.20	17.7	0.22	17.5	0.24	17.1	0.26	17.3	0.27	19.6	0.28	21	0.29	22						
2128	1129		1075		1022		959		894		819		727		623					
	0.25	18.9	0.27	19.1	0.29	18.3	0.31	18.3	0.33	19.4	0.34	22	0.35	23	0.36	24				
2288	1214		1164		1114		1059		1000		935		865		776		679		563	
	0.31	20	0.33	21	0.35	19.7	0.37	19.2	0.40	19.6	0.41	22	0.43	23	0.44	24	0.44	25	0.44	25
2436	1292		1246		1199		1149		1094		1039		974		907		821		730	
	0.37	22	0.39	22	0.42	21	0.44	20	0.47	21	0.49	21	0.50	23	0.52	25	0.53	26	0.53	27
2798	1484		1444		1403		1362		1318		1270		1222		1171		1114		1057	
	0.56	25	0.59	27	0.62	24	0.64	24	0.67	23	0.70	24	0.72	24	0.75	26	0.77	27	0.78	28

CFM and Sones vs. Static Pressure																						
RPM	2.500"		2.750"		3.000"		3.250"		3.500"		3.750"		4.000"		4.250"		4.500"		4.750"		5.000"	
	BHP	Sone	BHP	Sone	BHP	Sone	BHP	Sone	BHP	Sone	BHP	Sone	BHP	Sone	BHP	Sone	BHP	Sone	BHP	Sone	BHP	Sone
2436	626																					
	0.53	27																				
2798	984		909		828		742															
	0.80	29	0.81	30	0.81	31	0.81	31														

Performance certified is for Installation Type A: Free Inlet, Free Outlet. Performance ratings do not include the effects of appurtenances (accessories). Power rating (BHP) does not include transmission losses. The sound ratings shown are loudness values in hemispherical sones at 1.5 m (5ft) in a hemispherical free field calculated per AMCA Standard 301. Values shown are for Installation Type A: Free Inlet hemispherical sone levels. The brake horsepower capability of an exhauster motor is dependent on the degree of cooling the motor receives from the air moving through the motor. The motor loading beyond the motor nameplate rating does not overheat the motor and is in accordance with the motor manufacturer's recommendations. It is therefore not detrimental to the motor and is economically desirable.

PNU120 (PNU120)



Centrifugal Exhausters

PERFORMANCE DATA																				
CFM and Sones vs. Static Pressure																				
RPM	.000"		.250"		.500"		.750"		1.000"		1.250"		1.500"		1.750"		2.000"		2.250"	
	BHP	Sone	BHP	Sone	BHP	Sone	BHP	Sone	BHP	Sone	BHP	Sone	BHP	Sone	BHP	Sone	BHP	Sone	BHP	Sone
710	739																			
	0.02	4.4																		
908	945		638																	
	0.03	6.4	0.05	6.0																
1033	1075		815																	
	0.05	8.0	0.07	7.6																
1167	1215		987																	
	0.07	10.4	0.10	10.2																
1321	1375		1167		956															
	0.11	10.6	0.13	9.6	0.15	8.9														
1415	1473		1275		1089															
	0.13	12.0	0.16	11.0	0.18	10.3														
1544	1607		1420		1263		1062													
	0.17	12.5	0.20	12.4	0.23	12.3	0.24	11.7												
1615	1681		1499		1354		1166		939											
	0.19	13.6	0.22	13.4	0.26	13.4	0.28	12.9	0.28	12.6										
1787	1860		1689		1557		1408		1233											
	0.26	15.4	0.29	14.8	0.33	14.4	0.36	14.8	0.38	16.4										
1878	1955		1792		1662		1529		1366		1197									
	0.30	16.7	0.34	16.1	0.38	15.7	0.41	16.0	0.43	17.3	0.45	19.1								
2059	2144		1995		1868		1755		1620		1468									
	0.40	17.6	0.44	17.2	0.48	16.9	0.52	16.8	0.56	17.2	0.57	17.0								
2305	2400		2267		2143		2042		1940		1815		1680		1543		1372			
	0.56	21	0.60	23	0.65	21	0.70	21	0.74	20	0.78	19.1	0.80	19.1	0.82	22	0.82	22		

PNU135 (PNU135)



PERFORMANCE DATA																				
CFM and Sones vs. Static Pressure																				
RPM	.000"		.250"		.500"		.750"		1.000"		1.250"		1.500"		1.750"		2.000"		2.250"	
	BHP	Sone	BHP	Sone	BHP	Sone	BHP	Sone	BHP	Sone	BHP	Sone	BHP	Sone	BHP	Sone	BHP	Sone	BHP	Sone
795	1143		708																	
	0.04	8.2	0.06	6.8																
994	1429		1087																	
	0.08	9.4	0.09	8.2																
1122	1613		1308		997															
	0.10	11.0	0.13	10.2	0.14	8.9														
1213	1743		1464		1184															
	0.13	12.6	0.15	12.1	0.18	10.2														
1346	1934		1685		1432		1161													
	0.17	14.1	0.20	13.6	0.23	12.5	0.24	11.3												
1400	2012		1774		1527		1275													
	0.19	14.9	0.22	14.5	0.25	13.7	0.27	12.4												
1551	2229		2016		1788		1577		1333											
	0.26	16.3	0.29	16.2	0.32	15.4	0.35	13.7	0.37	13.2										
1785	2565		2381		2187		1993		1810		1599		1320							
	0.39	19.6	0.43	17.6	0.46	18.6	0.49	17.6	0.53	16.8	0.55	16.1	0.55	14.7						
2055	2953		2793		2630		2457		2291		2132		1957		1772		1507			
	0.58	25	0.63	21	0.67	23	0.71	22	0.75	21	0.79	19.5	0.82	18.9	0.83	18.3	0.83	18.3		

Performance certified is for Installation Type A: Free Inlet, Free Outlet. Performance ratings do not include the effects of appurtenances (accessories). Power rating (BHP) does not include transmission losses. The sound ratings shown are loudness values in hemispherical sones at 1.5 m (5ft) in a hemispherical free field calculated per AMCA Standard 301. Values shown are for Installation Type A: Free Inlet hemispherical sone levels. The brake horsepower capability of an exhauster motor is dependent on the degree of cooling the motor receives from the air moving through the motor. The motor loading beyond the motor nameplate rating does not overheat the motor and is in accordance with the motor manufacturer's recommendations. It is therefore not detrimental to the motor and is economically desirable.



PNU150 (PNU150)



Centrifugal Exhausters

PERFORMANCE DATA																									
CFM and Sones vs. Static Pressure																									
RPM	.000"		.250"		.500"		.750"		1.000"		1.250"		1.500"		1.750"		2.000"		2.250"		2.500"		3.000"		
	BHP	Sone	BHP	Sone	BHP	Sone	BHP	Sone	BHP	Sone	BHP	Sone	BHP	Sone	BHP	Sone	BHP	Sone	BHP	Sone	BHP	Sone	BHP	Sone	BHP
833	1763		1420		918																				
	0.09	8.8	0.11	7.2	0.12	7.2																			
847	1792		1456		982																				
	0.09	9.2	0.12	7.5	0.13	7.5																			
1034	2188		1922		1607		1187																		
	0.17	10.7	0.20	10.4	0.23	10.9	0.23	10.9																	
1129	2389		2151		1874		1547		344																
	0.22	13.2	0.26	13.0	0.29	14.4	0.31	13.7	0.16	13.7															
1250	2645		2431		2192		1921		1607																
	0.30	15.1	0.34	14.3	0.37	14.1	0.41	12.7	0.42	12.6															
1286	2721		2514		2283		2024		1728		793														
	0.33	15.8	0.37	15.0	0.40	14.8	0.44	13.5	0.46	12.9	0.32	12.9													
1346	2848		2650		2433		2194		1925		1583														
	0.38	15.7	0.42	14.0	0.46	13.8	0.49	13.1	0.52	12.9	0.52	12.9													
1432	3030		2844		2645		2431		2186		1912		1540												
	0.45	17.7	0.50	15.8	0.54	16.0	0.57	14.7	0.61	15.3	0.63	14.7	0.62	14.7											
1615	3417		3252		3086		2896		2701		2484		2248		1974		803								
	0.65	21	0.70	19.6	0.75	18.5	0.79	19.4	0.83	18.3	0.88	19.1	0.90	17.9	0.91	17.9	0.57	17.9							
1632	3453		3290		3126		2939		2748		2533		2304		2050		1097								
	0.67	21	0.72	20	0.78	18.9	0.82	19.7	0.86	18.7	0.90	19.4	0.93	18.4	0.94	18.4	0.69	18.4							
1795	3798		3649		3501		3340		3169		2991		2795		2594		2364		2075		715				
	0.89	23	0.95	23	1.01	22	1.06	22	1.10	22	1.15	21	1.19	19.8	1.23	19.1	1.25	18.3	1.23	18.3	0.70	18.3			
2064	4367		4238		4109		3979		3835		3687		3538		3373		3203		3033		2834		2357		
	1.36	30	1.43	31	1.49	28	1.56	27	1.61	27	1.66	27	1.71	26	1.76	26	1.82	25	1.87	24	1.89	23	1.87	23	

Performance certified is for Installation Type A: Free Inlet, Free Outlet. Performance ratings do not include the effects of appurtenances (accessories). Power rating (BHP) does not include transmission losses. The sound ratings shown are loudness values in hemispherical sones at 1.5 m (5ft) in a hemispherical free field calculated per AMCA Standard 301. Values shown are for Installation Type A: Free Inlet hemispherical sone levels. The brake horsepower capability of an exhauster motor is dependent on the degree of cooling the motor receives from the air moving through the motor. The motor loading beyond the motor nameplate rating does not overheat the motor and is in accordance with the motor manufacturer's recommendations. It is therefore not detrimental to the motor and is economically desirable.

PNU155 (PNUXP165)



PERFORMANCE DATA																				
RPM	CFM and Sones vs. Static Pressure																			
	.000"		.250"		.500"		.750"		1.000"		1.250"		1.500"		1.750"		2.000"		2.250"	
	BHP	Sone	BHP	Sone	BHP	Sone	BHP	Sone	BHP	Sone	BHP	Sone	BHP	Sone	BHP	Sone	BHP	Sone	BHP	Sone
950	527		453		365															
	0.04	5.3	0.06	4.8	0.06	5.1														
1039	576		508		434		349													
	0.05	6.0	0.07	5.1	0.08	4.9	0.09	5.5												
1188	659		600		540		466		394											
	0.08	7.3	0.10	6.5	0.12	6.2	0.13	6.3	0.13	6.8										
1330	737		685		631		575		505		442									
	0.12	8.6	0.14	7.9	0.15	7.5	0.17	7.5	0.18	7.6	0.18	8.0								
1355	751		700		647		594		525		462									
	0.12	8.9	0.14	7.7	0.16	7.7	0.18	7.7	0.19	7.9	0.19	8.3								
1524	845		799		753		706		656		594		538							
	0.17	10.9	0.20	10.1	0.22	9.6	0.24	9.3	0.25	9.3	0.27	9.5	0.27	9.8						
1583	878		833		789		744		699		640		584		530					
	0.19	11.6	0.22	10.8	0.24	10.3	0.26	10.1	0.28	10.3	0.29	10.4	0.30	10.5	0.30	10.8				
1663	922		880		838		795		752		702		645		594		525			
	0.22	12.5	0.25	11.8	0.28	11.2	0.30	10.9	0.32	10.8	0.33	10.8	0.35	11.0	0.35	11.3	0.35	11.7		
1707	946		905		864		823		781		735		680		628		579			
	0.24	13.1	0.27	12.4	0.30	11.8	0.32	11.3	0.34	11.2	0.36	11.2	0.37	11.3	0.38	11.6	0.38	12.1		
1943	1077		1041		1005		969		932		896		859		812		763		718	
	0.36	16.1	0.39	15.5	0.42	14.8	0.45	14.4	0.47	14.0	0.50	13.1	0.52	13.9	0.54	13.9	0.55	14.0	0.56	14.2
2197	1218		1186		1154		1122		1090		1058		1026		993		959		916	
	0.52	18.9	0.55	18.0	0.59	17.1	0.62	16.4	0.65	16.6	0.68	16.7	0.71	16.8	0.73	16.8	0.76	16.8	0.78	16.8
2217	1229		1198		1166		1134		1103		1071		1038		1006		974		931	
	0.53	19.1	0.57	18.6	0.60	18.1	0.64	17.7	0.67	17.4	0.70	17.2	0.72	17.1	0.75	17.1	0.78	17.1	0.79	17.1
2419	1341		1312		1283		1254		1225		1196		1167		1137		1108		1078	
	0.69	22	0.73	21	0.77	21	0.80	21	0.84	21	0.88	21	0.91	21	0.94	21	0.96	21	0.99	21
2769	1535		1510		1485		1459		1434		1409		1383		1358		1332		1306	
	1.04	26	1.08	26	1.12	25	1.17	25	1.21	25	1.25	24	1.30	24	1.33	24	1.36	29	1.40	24

RPM	CFM and Sones vs. Static Pressure																					
	2.500"		2.750"		3.000"		3.250"		3.500"		3.750"		4.000"		4.250"		4.500"		4.750"		5.000"	
	BHP	Sone	BHP	Sone	BHP	Sone	BHP	Sone	BHP	Sone	BHP	Sone	BHP	Sone	BHP	Sone	BHP	Sone	BHP	Sone	BHP	Sone
1943	675																					
	0.56	14.6																				
2197	873		832		793		755		688													
	0.79	16.8	0.80	16.8	0.81	17.1	0.81	17.3	0.80	17.7												
2217	889		847		809		770		732													
	0.81	17.1	0.83	17.1	0.83	17.3	0.83	17.5	0.83	17.7												
2419	1044		1005		966		927		892		857		822		754							
	1.02	21	1.04	21	1.06	21	1.07	21	1.07	21	1.08	21	1.08	21	1.07	20						
2769	1280		1255		1229		1198		1164		1130		1096		1063		1032		1001		971	
	1.43	24	1.46	24	1.50	24	1.52	24	1.55	24	1.57	24	1.59	24	1.61	24	1.61	24	1.61	24	1.61	24

Performance certified is for Installation Type A: Free Inlet, Free Outlet. Performance ratings do not include the effects of appurtenances (accessories). Power rating (BHP) does not include transmission losses. The sound ratings shown are loudness values in hemispherical sones at 1.5 m (5ft) in a hemispherical free field calculated per AMCA Standard 301. Values shown are for Installation Type A: Free Inlet hemispherical sone levels. The brake horsepower capability of an exhaustor motor is dependent on the degree of cooling the motor receives from the air moving through the motor. The motor loading beyond the motor nameplate rating does not overheat the motor and is in accordance with the motor manufacturer's recommendations. It is therefore not detrimental to the motor and is economically desirable.



PNU160 (PNUHP165)



Centrifugal Exhausters

PERFORMANCE DATA																				
CFM and Sones vs. Static Pressure																				
RPM	.000"		.250"		.500"		.750"		1.000"		1.250"		1.500"		1.750"		2.000"		2.250"	
	BHP	Sone	BHP	Sone	BHP	Sone	BHP	Sone	BHP	Sone	BHP	Sone	BHP	Sone	BHP	Sone	BHP	Sone	BHP	Sone
729	1071		855																	
	0.04	5.0	0.06	5.0																
857	1259		1083		818															
	0.06	6.5	0.09	6.3	0.11	5.4														
886	1301		1134		897															
	0.07	6.9	0.10	6.6	0.12	6.5														
1012	1487		1346		1170		897													
	0.10	8.3	0.14	6.8	0.16	6.5	0.18	6.7												
1042	1531		1394		1230		981													
	0.12	8.9	0.15	7.3	0.18	6.8	0.19	7.1												
1175	1726		1605		1468		1297		1054											
	0.16	10.5	0.20	9.3	0.24	8.6	0.26	8.6	0.28	8.6										
1218	1789		1673		1543		1388		1173		718									
	0.18	11.6	0.22	10.0	0.26	9.1	0.29	9.3	0.30	9.4	0.28	9.1								
1267	1862		1749		1627		1490		1304		997									
	0.21	11.1	0.24	10.5	0.28	9.6	0.32	9.6	0.34	10.0	0.34	9.9								
1289	1894		1783		1665		1530		1352		1091									
	0.22	11.4	0.26	10.8	0.30	10.0	0.33	9.9	0.36	10.3	0.36	10.2								
1480	2175		2078		1982		1869		1751		1596		1405		1097					
	0.33	14.3	0.37	13.0	0.42	12.8	0.46	12.7	0.50	12.8	0.53	13.1	0.55	12.9	0.54	13.0				
1508	2216		2121		2027		1917		1802		1656		1481		1218					
	0.35	15.1	0.39	13.5	0.44	13.2	0.48	13.1	0.53	13.1	0.56	13.7	0.58	13.7	0.58	13.7				
1694	2489		2405		2321		2235		2132		2029		1903		1764		1581		1313	
	0.49	17.5	0.54	17.6	0.60	16.9	0.65	16.4	0.70	16.0	0.74	15.8	0.78	16.5	0.81	16.8	0.82	16.7	0.81	16.9
1865	2740		2664		2588		2511		2426		2333		2240		2130		2003		1863	
	0.66	21	0.72	21	0.77	19.6	0.83	19.5	0.88	18.6	0.94	18.9	0.99	18.6	1.03	19.3	1.07	19.8	1.10	19.9
2135	3137		3071		3004		2937		2870		2797		2716		2634		2553		2457	
	0.99	26	1.05	26	1.12	26	1.18	25	1.25	24	1.31	24	1.37	24	1.43	24	1.49	24	1.54	24

CFM and Sones vs. Static Pressure																						
RPM	2.500"		2.750"		3.000"		3.250"		3.500"		3.750"		4.000"		4.250"		4.500"		4.750"		5.000"	
	BHP	Sone	BHP	Sone	BHP	Sone	BHP	Sone	BHP	Sone	BHP	Sone	BHP	Sone	BHP	Sone	BHP	Sone	BHP	Sone	BHP	Sone
1865	1687		1418																			
	1.10	19.7	1.08	19.9																		
2135	2347		2236		2101		1947		1732		1414											
	1.58	25	1.62	25	1.64	25	1.65	25	1.63	25	1.56	25										

Performance certified is for Installation Type A: Free Inlet, Free Outlet. Performance ratings do not include the effects of appurtenances (accessories). Power rating (BHP) does not include transmission losses. The sound ratings shown are loudness values in hemispherical sones at 1.5 m (5ft) in a hemispherical free field calculated per AMCA Standard 301. Values shown are for Installation Type A: Free Inlet hemispherical sone levels. The brake horsepower capability of an exhauster motor is dependent on the degree of cooling the motor receives from the air moving through the motor. The motor loading beyond the motor nameplate rating does not overheat the motor and is in accordance with the motor manufacturer's recommendations. It is therefore not detrimental to the motor and is economically desirable.

PNU165 (PNU165)



Centrifugal Exhausters

PERFORMANCE DATA																															
RPM	CFM and Sones vs. Static Pressure																														
	.000"		.250"		.500"		.750"		1.000"		1.250"		1.500"		1.750"		2.000"		2.250"		2.500"		3.000"		3.500"						
	BHP	Sone	BHP	Sone	BHP	Sone	BHP	Sone	BHP	Sone	BHP	Sone	BHP	Sone	BHP	Sone	BHP	Sone	BHP	Sone	BHP	Sone	BHP	Sone	BHP	Sone	BHP	Sone			
593	1576		885																								Fan Model	HP	RPM Range	Est. Unit Wt. lbs.	Est. Ship Wt. lbs.
	0.05	5.3	0.07	4.3																											
673	1789		1232																								PNU165E1	1/4	593 - 846	99	176
	0.07	6.5	0.10	5.3																											
745	1980		1481																								PNU165E2	1/4	673 - 980	99	176
	0.09	7.4	0.12	6.1																											
833	2214		1768		1222																						PNU165F	1/3	745 - 1075	102	179
	0.13	10.8	0.16	9.8	0.18	9.8																									
846	2249		1809		1290																						PNU165G	1/2	833 - 1227	109	186
	0.14	11.4	0.17	10.4	0.19	10.5																									
980	2605		2223		1843		1205																				PNU165H	3/4	1042 - 1408	116	193
	0.21	13.3	0.24	13.1	0.28	13.4	0.27	12.8																							
1042	2770		2409		2056		1611																				PNU165J	1	1154 - 1546	128	205
	0.25	14.1	0.29	13.3	0.33	13.8	0.34	12.9																							
1075	2857		2507		2166		1782																				PNU165K	1 1/2	1346 - 1771	139	216
	0.27	15.1	0.31	13.7	0.36	14.2	0.38	12.8																							
1154	3067		2739		2423		2092		1599																						
	0.33	15.9	0.38	14.9	0.42	15.0	0.46	14.4	0.45	14.3																					
1227	3262		2951		2655		2351		1984																						
	0.40	17.0	0.45	16.5	0.49	16.2	0.54	15.6	0.56	16.0																					
1346	3578		3293		3022		2749		2464		2084																				
	0.52	18.4	0.58	19.0	0.63	18.4	0.68	18.5	0.73	19.4	0.73	19.2																			
1408	3743		3470		3210		2951		2684		2401		1930																		
	0.60	19.6	0.66	20	0.71	20	0.76	19.9	0.82	21	0.85	21	0.81	21																	
1546	4109		3860		3621		3387		3148		2902		2644		2220																
	0.79	21	0.85	23	0.91	22	0.96	23	1.03	25	1.09	25	1.12	24	1.08	24															
1771	4708		4487		4277		4071		3866		3658		3448		3225		2989		2613												
	1.18	25	1.26	27	1.32	27	1.38	28	1.44	30	1.52	30	1.60	29	1.64	29	1.68	29	1.62	29											

Performance certified is for Installation Type A: Free Inlet, Free Outlet. Performance ratings do not include the effects of appurtenances (accessories). Power rating (BHP) does not include transmission losses. The sound ratings shown are loudness values in hemispherical sones at 1.5 m (5ft) in a hemispherical free field calculated per AMCA Standard 301. Values shown are for Installation Type A: Free Inlet hemispherical sone levels. The brake horsepower capability of an exhauster motor is dependent on the degree of cooling the motor receives from the air moving through the motor. The motor loading beyond the motor nameplate rating does not overheat the motor and is in accordance with the motor manufacturer's recommendations. It is therefore not detrimental to the motor and is economically desirable.



PNU185 (PNU185)



Centrifugal Exhausters

PERFORMANCE DATA																															
CFM and Sones vs. Static Pressure																															
RPM	.000"		.250"		.500"		.750"		1.000"		1.250"		1.500"		1.750"		2.000"		2.250"		2.500"		3.000"		3.500"						
	BHP	Sone	BHP	Sone	BHP	Sone	BHP	Sone	BHP	Sone	BHP	Sone	BHP	Sone	BHP	Sone	BHP	Sone	BHP	Sone	BHP	Sone	BHP	Sone	BHP	Sone	BHP	Sone			
522	1932		1125																								Fan Model	HP	RPM Range	Est. Unit Wt. lbs.	Est. Ship Wt. lbs.
	0.06	6.2	0.08	5.2																											
653	2417		1810																								PNU185E	1/4	522 - 784	132	232
	0.12	9.0	0.15	8.1																							PNU185F	1/3	653 - 862	134	234
711	2632		2074		1411																						PNU185G	1/2	711 - 984	138	238
	0.15	9.1	0.19	8.8	0.20	7.7																					PNU185H	3/4	847 - 1129	140	240
784	2902		2409		1861																						PNU185J	1	949 - 1246	152	252
	0.21	11.1	0.24	11.1	0.27	9.9																					PNU185K	1 1/2	1034 - 1432	163	263
847	3135		2695		2190		1566																				PNU185L	2	1231 - 1556	174	274
	0.26	10.7	0.30	10.6	0.33	9.4	0.33	9.4																			PNU185M	3	1443 - 1811	187	287
862	3191		2762		2267		1668																								
	0.27	11.0	0.32	10.9	0.35	9.8	0.35	9.8																							
949	3513		3146		2677		2220																								
	0.36	13.3	0.42	13.4	0.45	13.3	0.47	12.5																							
984	3643		3292		2836		2406		1849																						
	0.40	14.3	0.46	14.5	0.49	14.5	0.52	13.6	0.52	13.6																					
1034	3828		3494		3060		2665		2185																						
	0.47	15.6	0.53	15.7	0.56	15.7	0.60	15.0	0.61	15.0																					
1129	4179		3874		3499		3126		2740		2263																				
	0.60	19.5	0.67	17.2	0.72	17.4	0.76	15.8	0.78	14.2	0.78	14.7																			
1231	4557		4277		3960		3590		3266		2897		2440																		
	0.78	18.5	0.85	18.3	0.91	17.3	0.95	16.5	1.00	15.8	1.02	15.0	1.01	14.1																	
1246	4613		4335		4026		3657		3340		2977		2540																		
	0.81	18.9	0.88	18.7	0.94	17.8	0.98	16.9	1.03	16.2	1.05	15.5	1.05	14.5																	
1432	5301		5060		4819		4510		4193		3917		3613		3296		2888														
	1.22	23	1.31	22	1.39	22	1.44	21	1.49	21	1.54	21	1.58	22	1.61	20	1.59	19.8													
1443	5342		5103		4863		4560		4242		3968		3670		3355		2962														
	1.25	23	1.34	23	1.42	23	1.48	22	1.52	21	1.58	22	1.61	22	1.64	21	1.63	20													
1556	5760		5538		5316		5064		4762		4485		4231		3951		3659		3310		2925										
	1.57	29	1.66	26	1.75	25	1.82	24	1.87	23	1.93	22	1.98	23	2.02	21	2.05	21	2.05	18.5	2.02	18.5									
1811	6704		6513		6323		6132		5911		5651		5392		5171		4953		4719		4468		3916								
	2.47	37	2.57	37	2.68	35	2.78	35	2.87	34	2.92	31	2.98	30	3.05	31	3.11	30	3.17	28	3.20	26	3.23	26							

Performance certified is for Installation Type A: Free Inlet, Free Outlet. Performance ratings do not include the effects of appurtenances (accessories). Power rating (BHP) does not include transmission losses. The sound ratings shown are loudness values in hemispherical sones at 1.5 m (5ft) in a hemispherical free field calculated per AMCA Standard 301. Values shown are for Installation Type A: Free Inlet hemispherical sone levels. The brake horsepower capability of an exhauster motor is dependent on the degree of cooling the motor receives from the air moving through the motor. The motor loading beyond the motor nameplate rating does not overheat the motor and is in accordance with the motor manufacturer's recommendations. It is therefore not detrimental to the motor and is economically desirable.

PNU200 (PNU200)



Centrifugal Exhausters

PERFORMANCE DATA																													
CFM and Sones vs. Static Pressure																													
RPM	.000"		.250"		.500"		.750"		1.000"		1.250"		1.500"		1.750"		2.000"		2.250"		2.750"		3.000"						
	BHP	Sone	BHP	Sone	BHP	Sone	BHP	Sone	BHP	Sone	BHP	Sone	BHP	Sone	BHP	Sone	BHP	Sone	BHP	Sone	BHP	Sone	BHP	Sone					
507	2243		1366																						Fan Model	HP	RPM Range	Est. Unit Wt. lbs.	Est. Ship Wt. lbs.
	0.06	5.9	0.10	5.6																									
547	2420		1638																						PNU200E	1/4	507 - 752	132	232
	0.08	6.7	0.12	6.5																					PNU200F	1/3	547 - 828	134	234
614	2716		2036		811																				PNU200G	1/2	614 - 948	138	238
	0.11	7.6	0.16	7.3	0.13	7.6																			PNU200H	3/4	714 - 1085	140	240
714	3159		2583		1911																				PNU200J	1	795 - 1194	152	252
	0.18	9.4	0.23	9.0	0.27	8.3																			PNU200K	1 1/2	1000 - 1359	163	263
752	3327		2778		2172																				PNU200L	2	1117 - 1496	174	274
	0.21	10.2	0.26	9.8	0.31	9.3																			PNU200M	3	1278 - 1712	187	287
795	3517		2995		2454																								
	0.24	11.0	0.30	10.6	0.36	9.9																							
828	3663		3159		2648		1910																						
	0.27	11.7	0.33	11.2	0.39	12.5	0.40	8.8																					
948	4194		3746		3326		2841																						
	0.41	13.9	0.47	14.0	0.55	14.1	0.61	11.4																					
1000	4424		3997		3603		3161		2627																				
	0.48	15.7	0.54	15.1	0.62	16.3	0.69	13.0	0.72	12.2																			
1085	4800		4406		4038		3649		3216		2621																		
	0.61	17.8	0.67	17.2	0.76	17.4	0.85	15.0	0.91	14.2	0.90	12.9																	
1117	4941		4559		4199		3829		3428		2927																		
	0.66	18.7	0.73	18.2	0.82	20	0.91	16.3	0.98	15.0	1.00	13.7																	
1194	5282		4924		4582		4253		3878		3468		2924																
	0.81	21	0.88	21	0.97	23	1.08	18.1	1.15	16.6	1.21	15.2	1.20	15.3															
1278	5654		5319		4994		4687		4355		4005		3596		3046														
	0.99	23	1.07	24	1.16	26	1.27	21	1.36	18.3	1.45	17.7	1.49	17.5	1.47	17.3													
1359	6012		5698		5386		5097		4804		4474		4139		3737		3186												
	1.19	25	1.27	26	1.36	26	1.48	23	1.59	21	1.68	20	1.77	20	1.80	19.3	1.76	21											
1496	6618		6332		6047		5778		5515		5242		4943		4643		4290		3902										
	1.58	29	1.67	28	1.77	26	1.89	26	2.02	25	2.14	25	2.24	25	2.33	25	2.38	24	2.40	24									
1712	7574		7324		7075		6825		6596		6366		6137		5881		5619		5357		4742		4360						
	2.36	35	2.47	34	2.58	32	2.68	32	2.83	31	2.98	30	3.13	30	3.25	30	3.36	29	3.47	28	3.58	29	3.57	29					

Performance certified is for Installation Type A: Free Inlet, Free Outlet. Performance ratings do not include the effects of appurtenances (accessories). Power rating (BHP) does not include transmission losses. The sound ratings shown are loudness values in hemispherical sones at 1.5 m (5ft) in a hemispherical free field calculated per AMCA Standard 301. Values shown are for Installation Type A: Free Inlet hemispherical sone levels. The brake horsepower capability of an exhauster motor is dependent on the degree of cooling the motor receives from the air moving through the motor. The motor loading beyond the motor nameplate rating does not overheat the motor and is in accordance with the motor manufacturer's recommendations. It is therefore not detrimental to the motor and is economically desirable.



PNU235 (PNUXP245)

MIAMI-DADE COUNTY
APPROVED

Centrifugal Exhausters

PERFORMANCE DATA																				
CFM and Sones vs. Static Pressure																				
RPM	.000"		.250"		.500"		.750"		1.000"		1.250"		1.500"		1.750"		2.000"		2.250"	
	BHP	Sone	BHP	Sone	BHP	Sone	BHP	Sone	BHP	Sone	BHP	Sone	BHP	Sone	BHP	Sone	BHP	Sone	BHP	Sone
583	1340		1112		791															
	0.09	5.7	0.11	5.3	0.13	5.1														
665	1529		1335		1076		705													
	0.13	7.3	0.16	6.9	0.19	6.5	0.19	6.6												
792	1821		1662		1483		1242		954											
	0.21	10.0	0.25	9.5	0.29	9.3	0.31	8.9	0.32	9.1										
827	1901		1749		1580		1360		1131		679									
	0.24	10.9	0.28	10.3	0.32	10.1	0.35	9.7	0.37	9.7	0.34	9.8								
831	1910		1759		1591		1374		1145		716									
	0.25	11.1	0.29	10.4	0.32	10.2	0.36	9.9	0.37	9.8	0.35	9.9								
946	2175		2042		1903		1749		1541		1340		1033							
	0.36	14.0	0.41	13.0	0.45	13.0	0.49	12.7	0.53	12.3	0.55	12.2	0.54	12.5						
950	2184		2052		1913		1760		1554		1354		1058							
	0.36	14.1	0.41	13.1	0.46	13.0	0.50	12.8	0.53	12.4	0.55	12.2	0.55	12.6						
1088	2501		2386		2271		2141		2006		1825		1648		1466		1164			
	0.54	17.3	0.60	17.0	0.66	16.3	0.70	16.2	0.75	16.0	0.79	15.6	0.81	15.3	0.83	15.6	0.82	15.8		
1167	2683		2575		2468		2352		2228		2085		1915		1751		1587		1319	
	0.67	19.3	0.73	19.1	0.79	18.4	0.84	18.4	0.89	18.2	0.94	17.9	0.98	17.6	1.01	17.4	1.03	17.8	1.02	17.9
1188	2731		2625		2520		2408		2285		2152		1986		1823		1665		1431	
	0.71	19.9	0.77	19.7	0.83	18.9	0.88	19.0	0.93	18.8	0.98	18.5	1.02	18.2	1.06	18.0	1.08	18.1	1.08	18.4
1289	2963		2866		2769		2671		2560		2447		2318		2165		2014		1867	
	0.90	22	0.97	22	1.03	22	1.10	22	1.15	22	1.21	21	1.26	21	1.30	21	1.34	21	1.36	21
1367	3142		3051		2959		2867		2768		2661		2555		2422		2277		2135	
	1.07	24	1.14	25	1.21	24	1.28	24	1.35	24	1.40	24	1.46	24	1.51	23	1.56	23	1.60	23
1459	3354		3268		3182		3096		3010		2910		2810		2710		2581		2446	
	1.30	27	1.38	27	1.45	27	1.53	26	1.60	26	1.66	26	1.72	26	1.78	26	1.83	26	1.89	25
1687	3878		3804		3729		3655		3581		3506		3424		3338		3251		3165	
	2.01	35	2.09	35	2.18	34	2.27	34	2.35	33	2.44	34	2.52	34	2.58	34	2.65	34	2.72	33

CFM and Sones vs. Static Pressure																						
RPM	2.500"		2.750"		3.000"		3.250"		3.500"		3.750"		4.000"		4.250"		4.500"		4.750"		5.000"	
	BHP	Sone	BHP	Sone	BHP	Sone	BHP	Sone	BHP	Sone	BHP	Sone	BHP	Sone	BHP	Sone	BHP	Sone	BHP	Sone	BHP	Sone
1188	1115																					
	1.05	18.4																				
1289	1695		1450		1124																	
	1.38	21	1.37	21	1.31	21																
1367	1997		1853		1627		1354															
	1.62	23	1.64	23	1.64	23	1.60	23														
1459	2311		2182		2053		1879		1667		1392											
	1.94	25	1.96	25	1.99	26	2.00	26	1.99	26	1.94	26										
1687	3066		2949		2832		2715		2602		2490		2379		2242		2059		1861		1623	
	2.79	33	2.85	33	2.91	33	2.97	33	3.00	33	3.03	33	3.06	34	3.08	34	3.08	34	3.06	34	2.99	34

Performance certified is for Installation Type A: Free Inlet, Free Outlet. Performance ratings do not include the effects of appurtenances (accessories). Power rating (BHP) does not include transmission losses. The sound ratings shown are loudness values in hemispherical sones at 1.5 m (5ft) in a hemispherical free field calculated per AMCA Standard 301. Values shown are for Installation Type A: Free Inlet hemispherical sone levels. The brake horsepower capability of an exhauster motor is dependent on the degree of cooling the motor receives from the air moving through the motor. The motor loading beyond the motor nameplate rating does not overheat the motor and is in accordance with the motor manufacturer's recommendations. It is therefore not detrimental to the motor and is economically desirable.

PNU240 (PNUHP245)



Centrifugal Exhausters

PERFORMANCE DATA																				
CFM and Sones vs. Static Pressure																				
RPM	.000"		.250"		.500"		.750"		1.000"		1.250"		1.500"		1.750"		2.000"		2.250"	
	BHP	Sone	BHP	Sone	BHP	Sone	BHP	Sone	BHP	Sone	BHP	Sone	BHP	Sone	BHP	Sone	BHP	Sone	BHP	Sone
457	1950		1451																	
	0.06	4.7	0.10	3.0																
554	2364		1981		1386															
	0.11	6.6	0.16	4.6	0.19	4.9														
639	2726		2406		2009		1237													
	0.17	8.4	0.23	6.4	0.28	5.7	0.27	6.0												
690	2944		2654		2306		1801													
	0.21	9.5	0.27	7.6	0.33	6.6	0.37	7.2												
707	3016		2733		2403		140													
	0.22	9.9	0.29	8.0	0.35	6.9	0.39	8.4												
790	3370		3117		2835		2505		2023											
	0.31	11.5	0.39	9.8	0.46	8.7	0.52	8.1	0.55	8.9										
792	3379		3126		2845		2517		2040											
	0.31	11.5	0.39	10.6	0.46	9.6	0.52	8.4	0.55	9.4										
908	3874		3654		3424		3166		2867		2466									
	0.47	14.2	0.56	12.5	0.64	11.1	0.72	10.4	0.79	10.0	0.82	12.5								
942	4019		3807		3590		3341		3067		2741		2225							
	0.52	15.0	0.61	13.3	0.70	11.9	0.79	11.1	0.86	10.6	0.92	10.9	0.91	11.8						
992	4232		4031		3829		3596		3354		3068		2680		2145					
	0.61	16.3	0.70	14.6	0.80	13.1	0.89	12.2	0.97	11.6	1.04	11.5	1.07	12.3	1.06	13.1				
1089	4646		4462		4279		4080		3865		3635		3375		3038		2582			
	0.80	18.8	0.91	16.9	1.02	15.7	1.12	15.0	1.21	14.3	1.30	13.6	1.37	13.4	1.42	13.7	1.41	14.0		
1141	4868		4693		4517		4335		4130		3924		3682		3433		3058		2597	
	0.92	20	1.03	18.9	1.15	17.5	1.25	16.4	1.35	15.9	1.45	15.1	1.53	14.6	1.61	14.6	1.63	15.0	1.61	15.3
1218	5197		5032		4868		4704		4516		4323		4125		3892		3660		3307	
	1.12	22	1.24	22	1.36	21	1.48	19.1	1.59	18.7	1.69	18.0	1.80	17.1	1.88	16.6	1.96	16.6	1.98	17.0
1408	6007		5865		5723		5581		5439		5278		5111		4945		4772		4571	
	1.73	28	1.86	27	2.00	26	2.14	25	2.28	24	2.41	24	2.53	23	2.65	23	2.77	22	2.86	21

CFM and Sones vs. Static Pressure																						
RPM	2.500"		2.750"		3.000"		3.250"		3.500"		3.750"		4.000"		4.250"		4.500"		4.750"		5.000"	
	BHP	Sone	BHP	Sone	BHP	Sone	BHP	Sone	BHP	Sone	BHP	Sone	BHP	Sone	BHP	Sone	BHP	Sone	BHP	Sone	BHP	Sone
1218	2891																					
	1.97	17.5																				
1408	4369		4152		3832		3489		3086													
	2.96	21	3.04	22	3.06	22	3.06	22	3.01	23												

Performance certified is for Installation Type A: Free Inlet, Free Outlet. Performance ratings do not include the effects of appurtenances (accessories). Power rating (BHP) does not include transmission losses. The sound ratings shown are loudness values in hemispherical sones at 1.5 m (5ft) in a hemispherical free field calculated per AMCA Standard 301. Values shown are for Installation Type A: Free Inlet hemispherical sone levels. The brake horsepower capability of an exhauster motor is dependent on the degree of cooling the motor receives from the air moving through the motor. The motor loading beyond the motor nameplate rating does not overheat the motor and is in accordance with the motor manufacturer's recommendations. It is therefore not detrimental to the motor and is economically desirable.



PNU245 (PNU245)



Centrifugal Exhausters

PERFORMANCE DATA																						
CFM and Sones vs. Static Pressure																						
RPM	.000"		.250"		.500"		.750"		1.000"		1.250"		1.500"		1.750"		2.000"		2.250"		2.500"	
	BHP	Sone	BHP	Sone	BHP	Sone	BHP	Sone	BHP	Sone	BHP	Sone	BHP	Sone	BHP	Sone	BHP	Sone	BHP	Sone	BHP	Sone
361	2933																					
	0.08	6.9																				
427	3469		2175																			
	0.13	8.3	0.17	7.8																		
486	3948		2861																			
	0.19	9.8	0.24	9.0																		
522	4241		3241																			
	0.24	11.0	0.30	10.0																		
553	4492		3560		2304																	
	0.28	11.7	0.35	10.8	0.36	9.5																
633	5142		4334		3429																	
	0.42	14.3	0.50	12.8	0.54	11.0																
653	5305		4522		3665																	
	0.47	14.6	0.54	13.0	0.60	11.7																
706	5735		5014		4246		3303															
	0.59	16.1	0.67	14.6	0.74	13.2	0.75	12.4														
725	5890		5188		4446		3588															
	0.64	16.6	0.73	15.3	0.79	13.8	0.82	12.7														
797	6474		5840		5185		4457		3510													
	0.84	18.9	0.95	17.5	1.02	16.4	1.08	14.7	1.07	13.1												
913	7417		6863		6297		5706		5060		4290											
	1.27	23	1.38	21	1.48	19.8	1.56	18.6	1.62	17.5	1.63	16.6										
924	7506		6959		6400		5820		5190		4470											
	1.31	23	1.43	21	1.53	21	1.61	19.4	1.68	18.3	1.70	17.4										
1005	8164		7661		7151		6632		6074		5471		4779		3459							
	1.69	25	1.82	24	1.93	23	2.03	22	2.11	21	2.17	19.9	2.18	18.0	1.98	18.8						
1150	9342		8902		8462		8010		7556		7068		6570		6003		5346		4284			
	2.53	28	2.67	27	2.82	27	2.94	26	3.05	25	3.14	24	3.23	22	3.25	23	3.24	22	3.06	22		

Performance certified is for Installation Type A: Free Inlet, Free Outlet. Performance ratings do not include the effects of appurtenances (accessories). Power rating (BHP) does not include transmission losses. The sound ratings shown are loudness values in hemispherical sones at 1.5 m (5ft) in a hemispherical free field calculated per AMCA Standard 301. Values shown are for Installation Type A: Free Inlet hemispherical sone levels. The brake horsepower capability of an exhauster motor is dependent on the degree of cooling the motor receives from the air moving through the motor. The motor loading beyond the motor nameplate rating does not overheat the motor and is in accordance with the motor manufacturer's recommendations. It is therefore not detrimental to the motor and is economically desirable.

PNU290 (PNUXP300)



Centrifugal Exhausters

PERFORMANCE DATA																				
CFM and Sones vs. Static Pressure																				
RPM	.000"		.250"		.500"		.750"		1.000"		1.250"		1.500"		1.750"		2.000"		2.250"	
	BHP	Sone	BHP	Sone	BHP	Sone	BHP	Sone	BHP	Sone	BHP	Sone	BHP	Sone	BHP	Sone	BHP	Sone	BHP	Sone
554	2257		1925		1529		988													
	0.20	7.4	0.25	6.5	0.28	6.1	0.29	6.5												
605	2464		2163		1818		1416		680											
	0.26	8.4	0.31	7.2	0.35	6.9	0.38	7.4	0.34	7.5										
707	2880		2624		2356		2036		1700		1199									
	0.40	10.6	0.46	9.4	0.51	9.1	0.56	8.9	0.59	9.5	0.59	9.9								
795	3238		3011		2776		2520		2229		1936		1503		759					
	0.56	12.5	0.62	11.3	0.69	10.9	0.75	9.8	0.80	10.7	0.83	11.3	0.83	11.9	0.71	12.2				
808	3291		3067		2837		2590		2304		2016		1621		1041					
	0.59	12.8	0.65	11.3	0.72	11.3	0.78	11.2	0.83	10.3	0.87	11.3	0.88	12.0	0.81	12.1				
872	3552		3345		3134		2915		2661		2395		2129		1744		1234			
	0.74	14.3	0.80	13.0	0.87	12.5	0.94	11.9	1.00	12.2	1.05	12.2	1.09	12.9	1.10	13.9	1.04	14.0		
980	3992		3807		3623		3430		3235		3003		2767		2529		2249		1898	
	1.04	16.8	1.11	16.0	1.18	15.7	1.26	15.5	1.34	14.8	1.41	14.3	1.47	14.4	1.51	15.0	1.54	15.6	1.54	16.2
1003	4086		3905		3725		3538		3347		3128		2898		2666		2429		2096	
	1.11	17.4	1.18	16.2	1.26	15.6	1.34	15.4	1.42	15.2	1.49	14.9	1.56	14.9	1.60	15.4	1.64	16.0	1.66	16.6
1092	4448		4283		4117		3949		3774		3599		3390		3178		2966		2753	
	1.42	19.6	1.50	18.4	1.58	17.8	1.67	17.5	1.76	17.4	1.85	17.2	1.92	17.0	1.99	17.1	2.05	17.4	2.09	17.9
1273	5185		5043		4901		4759		4615		4465		4315		4161		3980		3798	
	2.23	24	2.33	23	2.42	23	2.52	22	2.61	22	2.72	22	2.83	21	2.93	18.4	3.01	20	3.09	22
1282	5222		5081		4940		4799		4656		4507		4358		4208		4028		3848	
	2.28	25	2.37	23	2.47	22	2.57	23	2.66	22	2.77	22	2.88	22	2.98	23	3.06	22	3.15	22
1499	6106		5985		5865		5744		5623		5503		5376		5249		5121		4994	
	3.62	31	3.73	30	3.84	29	3.95	29	4.07	29	4.18	28	4.30	28	4.42	28	4.55	28	4.67	26

CFM and Sones vs. Static Pressure																						
RPM	2.500"		2.750"		3.000"		3.250"		3.500"		3.750"		4.000"		4.250"		4.500"		4.750"		5.000"	
	BHP	Sone	BHP	Sone	BHP	Sone	BHP	Sone	BHP	Sone	BHP	Sone	BHP	Sone	BHP	Sone	BHP	Sone	BHP	Sone	BHP	Sone
980	1455																					
	1.48	16.7																				
1003	1725		1120																			
	1.63	17.0	1.47	17.4																		
1092	2486		2176		1827		1261															
	2.12	18.5	2.13	18.9	2.09	19.3	1.91	19.7														
1273	3617		3434		3251		3053		2791		2521		2222		1827							
	3.17	21	3.23	22	3.28	23	3.33	23	3.34	24	3.35	24	3.30	24	3.17	25						
1282	3668		3487		3305		3122		2862		2602		2305		1958		1406					
	3.23	21	3.29	21	3.34	22	3.39	23	3.41	24	3.43	24	3.38	24	3.29	25	3.02	25				
1499	4854		4700		4546		4392		4238		4083		3928		3772		3601		3378		3155	
	4.78	23	4.88	26	4.98	28	5.08	28	5.17	28	5.23	28	5.29	29	5.36	30	5.41	30	5.43	31	5.44	31

Performance certified is for Installation Type A: Free Inlet, Free Outlet. Performance ratings do not include the effects of appurtenances (accessories). Power rating (BHP) does not include transmission losses. The sound ratings shown are loudness values in hemispherical sones at 1.5 m (5ft) in a hemispherical free field calculated per AMCA Standard 301. Values shown are for Installation Type A: Free Inlet hemispherical sone levels. The brake horsepower capability of an exhauster motor is dependent on the degree of cooling the motor receives from the air moving through the motor. The motor loading beyond the motor nameplate rating does not overheat the motor and is in accordance with the motor manufacturer's recommendations. It is therefore not detrimental to the motor and is economically desirable.



PNU295 (PNUHP300)



Centrifugal Exhausters

PERFORMANCE DATA																				
CFM and Sones vs. Static Pressure																				
RPM	.000"		.250"		.500"		.750"		1.000"		1.250"		1.500"		1.750"		2.000"		2.250"	
	BHP	Sone	BHP	Sone	BHP	Sone	BHP	Sone	BHP	Sone	BHP	Sone	BHP	Sone	BHP	Sone	BHP	Sone	BHP	Sone
443	4056		3228		2103															
	0.18	5.7	0.26	4.3	0.30	3.3														
475	4349		3585		2670															
	0.22	6.5	0.30	5.1	0.36	4.0														
554	5072		4430		3705		2794													
	0.34	8.6	0.44	7.1	0.53	6.0	0.57	5.1												
630	5768		5213		4606		3926		3041											
	0.49	10.6	0.61	9.2	0.71	8.0	0.80	7.1	0.83	6.2										
646	5914		5373		4786		4137		3345											
	0.52	11.1	0.65	9.7	0.75	8.5	0.85	7.5	0.90	6.7										
691	6326		5820		5280		4689		4041		3128									
	0.64	12.5	0.78	11.1	0.89	9.8	0.99	8.8	1.08	7.9	1.09	9.4								
790	7232		6790		6334		5849		5319		4755		4075							
	0.94	17.0	1.10	15.5	1.25	14.0	1.36	12.6	1.49	14.8	1.58	14.6	1.63	14.6						
795	7278		6839		6386		5904		5380		4823		4169		3144					
	0.96	17.3	1.12	15.8	1.27	14.2	1.38	12.8	1.51	15.0	1.61	14.9	1.66	14.9	1.59	14.9				
865	7919		7515		7111		6669		6212		5725		5204		4621		3735			
	1.23	20	1.40	18.6	1.58	17.1	1.71	15.8	1.84	17.9	1.97	17.9	2.07	17.9	2.13	18.0	2.09	18.2		
980	8972		8615		8259		7888		7497		7096		6665		6231		5753		5224	
	1.77	24	1.97	22	2.17	21	2.34	21	2.49	22	2.64	23	2.79	24	2.94	20	3.02	20	3.09	21
1016	9301		8957		8614		8262		7885		7508		7097		6682		6240		5779	
	1.97	25	2.18	24	2.38	22	2.58	22	2.73	23	2.88	24	3.03	24	3.19	21	3.31	21	3.40	22
1188	10876		10582		10288		9994		9694		9371		9049		8725		8370		8015	
	3.13	31	3.37	30	3.61	28	3.85	28	4.08	27	4.26	32	4.43	30	4.61	27	4.79	27	4.98	28

CFM and Sones vs. Static Pressure																						
RPM	2.500"		2.750"		3.000"		3.250"		3.500"		3.750"		4.000"		4.250"		4.500"		4.750"		5.000"	
	BHP	Sone	BHP	Sone	BHP	Sone	BHP	Sone	BHP	Sone	BHP	Sone	BHP	Sone	BHP	Sone	BHP	Sone	BHP	Sone	BHP	Sone
980	4491																					
	3.07	22																				
1016	5187		4421																			
	3.44	22	3.38	23																		
1188	7661		7272		6878		6469		5868		5201											
	5.16	25	5.28	26	5.39	27	5.48	28	5.47	29	5.39	30										

Performance certified is for Installation Type A: Free Inlet, Free Outlet. Performance ratings do not include the effects of appurtenances (accessories). Power rating (BHP) does not include transmission losses. The sound ratings shown are loudness values in hemispherical sones at 1.5 m (5ft) in a hemispherical free field calculated per AMCA Standard 301. Values shown are for Installation Type A: Free Inlet hemispherical sone levels. The brake horsepower capability of an exhauster motor is dependent on the degree of cooling the motor receives from the air moving through the motor. The motor loading beyond the motor nameplate rating does not overheat the motor and is in accordance with the motor manufacturer's recommendations. It is therefore not detrimental to the motor and is economically desirable.

PNU300 (PNU300)



Centrifugal Exhausters

PERFORMANCE DATA																						
CFM and Sones vs. Static Pressure																						
RPM	.000"		.250"		.500"		.750"		1.000"		1.250"		1.500"		1.750"		2.000"		2.250"		2.500"	
	BHP	Sone	BHP	Sone	BHP	Sone	BHP	Sone	BHP	Sone	BHP	Sone	BHP	Sone	BHP	Sone	BHP	Sone	BHP	Sone	BHP	Sone
398	5896		4504																			
	0.26	8.0	0.33	7.3																		
430	6370		5095																			
	0.32	9.3	0.41	8.6																		
516	7644		6615		5438																	
	0.56	11.5	0.66	10.3	0.76	9.4																
530	7852		6858		5727																	
	0.60	12.1	0.71	11.0	0.81	9.9																
563	8341		7421		6373		5078															
	0.72	13.8	0.83	13.0	0.95	11.8	1.01	11.5														
574	8504		7607		6580		5355															
	0.77	14.3	0.88	13.6	0.99	12.3	1.07	12.0														
644	9541		8762		7848		6910		5701													
	1.08	16.4	1.21	15.3	1.34	14.6	1.46	13.8	1.51	13.0												
660	9778		9021		8132		7233		6114													
	1.16	17.2	1.29	16.1	1.43	15.3	1.55	14.5	1.63	13.7												
719	10652		9965		9168		8354		7464		6347											
	1.50	20	1.64	19.9	1.79	19.3	1.93	18.6	2.06	18.5	2.10	17.7										
838	12415		11833		11197		10482		9790		9055		8196									
	2.38	27	2.54	25	2.71	24	2.88	23	3.05	23	3.20	23	3.31	22								
845	12518		11942		11313		10605		9917		9196		8356		7350							
	2.44	27	2.61	26	2.77	24	2.95	24	3.12	24	3.27	23	3.39	22	3.40	21						
987	14622		14131		13619		13055		12444		11852		11262		10622		9904		9097			
	3.89	31	4.08	31	4.27	29	4.47	29	4.68	29	4.88	28	5.07	26	5.24	26	5.38	25	5.44	24		

Fan Model	HP	RPM Range	Est. Unit Wt. lbs.	Est. Ship Wt. lbs.
PNU300H	3/4	398 - 530	280	460
PNU300J	1	430 - 574	284	464
PNU300K	1 1/2	516 - 660	293	473
PNU300L	2	563 - 719	303	483
PNU300M	3	644 - 845	362	542
PNU300N	5	838 - 987	402	582

Performance certified is for Installation Type A: Free Inlet, Free Outlet. Performance ratings do not include the effects of appurtenances (accessories). Power rating (BHP) does not include transmission losses. The sound ratings shown are loudness values in hemispherical sones at 1.5 m (5ft) in a hemispherical free field calculated per AMCA Standard 301. Values shown are for Installation Type A: Free Inlet hemispherical sone levels. The brake horsepower capability of an exhaustor motor is dependent on the degree of cooling the motor receives from the air moving through the motor. The motor loading beyond the motor nameplate rating does not overheat the motor and is in accordance with the motor manufacturer 's recommendations. It is therefore not detrimental to the motor and is economically desirable.



PNU355 (PNUXP365)

PERFORMANCE DATA																				
CFM and Sones vs. Static Pressure																				
RPM	.000"		.250"		.500"		.750"		1.000"		1.250"		1.500"		1.750"		2.000"		2.250"	
	BHP	Sone	BHP	Sone	BHP	Sone	BHP	Sone	BHP	Sone	BHP	Sone	BHP	Sone	BHP	Sone	BHP	Sone	BHP	Sone
391	2713		2182		1388															
	0.17	5.5	0.23	5.1	0.26	5.7														
443	3074		2614		2033		1107													
	0.24	7.0	0.31	6.2	0.36	6.5	0.36	7.0												
496	3441		3040		2566		1936		992											
	0.33	8.7	0.41	7.9	0.48	7.9	0.52	8.2	0.49	8.6										
569	3948		3604		3221		2774		2184		1377									
	0.50	11.3	0.59	11.2	0.67	10.1	0.74	10.0	0.78	10.3	0.75	6.6								
600	4163		3836		3479		3072		2579		1911									
	0.58	12.0	0.67	12.0	0.77	10.8	0.85	10.5	0.90	10.8	0.91	11.3								
634	4399		4090		3757		3391		2957		2412		1702							
	0.68	12.9	0.78	12.6	0.88	11.7	0.97	11.2	1.04	11.6	1.07	11.8	1.05	12.5						
723	5016		4745		4469		4163		3831		3460		3024		2472		1801			
	1.00	15.3	1.12	15.2	1.23	14.6	1.34	14.0	1.44	12.1	1.52	13.9	1.57	14.2	1.59	14.7	1.54	15.3		
731	5072		4804		4532		4229		3905		3546		3115		2590		1946			
	1.03	15.5	1.15	15.4	1.26	15.0	1.38	14.5	1.48	14.0	1.56	14.5	1.62	15.1	1.65	15.2	1.60	15.4		
816	5661		5421		5181		4921		4650		4354		4033		3662		3243		2742	
	1.43	18.3	1.56	18.2	1.69	18.2	1.81	16.8	1.94	16.6	2.05	16.5	2.15	16.6	2.21	17.1	2.26	17.4	2.28	17.7
931	6459		6249		6039		5828		5592		5354		5111		4829		4548		4216	
	2.11	23	2.26	23	2.41	23	2.55	22	2.69	21	2.84	21	2.97	21	3.08	21	3.19	21	3.27	21
939	6515		6306		6098		5889		5656		5421		5184		4905		4625		4304	
	2.16	23	2.31	23	2.46	23	2.61	23	2.75	21	2.90	21	3.04	21	3.15	21	3.26	21	3.34	21
980	6799		6599		6400		6200		5984		5758		5532		5286		5018		4750	
	2.46	25	2.61	25	2.77	25	2.92	25	3.07	24	3.22	23	3.37	23	3.50	22	3.62	22	3.74	22
1107	7680		7503		7327		7150		6973		6780		6580		6380		6180		5955	
	3.53	32	3.70	32	3.88	32	4.05	32	4.23	31	4.40	30	4.57	28	4.73	28	4.90	27	5.05	24
1196	8298		8134		7970		7807		7643		7479		7295		7110		6925		6740	
	4.44	35	4.63	35	4.82	35	5.01	35	5.20	35	5.39	35	5.57	34	5.75	33	5.93	34	6.11	33
1252	8686		8530		8374		8217		8061		7904		7738		7561		7385		7208	
	5.09	37	5.29	37	5.48	37	5.68	37	5.88	37	6.08	37	6.28	35	6.46	34	6.65	33	6.84	33

CFM and Sones vs. Static Pressure																						
RPM	2.500"		2.750"		3.000"		3.250"		3.500"		3.750"		4.000"		4.250"		4.500"		4.750"		5.000"	
	BHP	Sone	BHP	Sone	BHP	Sone	BHP	Sone	BHP	Sone	BHP	Sone	BHP	Sone	BHP	Sone	BHP	Sone	BHP	Sone	BHP	Sone
816	2153																					
	2.22	18.1																				
931	3876		3449		2985		2466		1913													
	3.33	21	3.37	22	3.36	22	3.29	22	3.17	23												
939	3968		3559		3114		2610		2062													
	3.41	21	3.45	22	3.45	22	3.40	22	3.28	23												
980	4428		4107		3707		3284		2806		2283											
	3.81	22	3.88	22	3.91	23	3.93	23	3.87	24	3.76	24										
1107	5718		5481		5219		4934		4649		4300		3941		3535		3108		2643		2179	
	5.18	25	5.31	27	5.41	28	5.49	28	5.57	28	5.62	28	5.65	29	5.62	29	5.56	29	5.42	29	5.28	30
1196	6544		6325		6106		5886		5640		5377		5113		4814		4482		4150		3758	
	6.28	32	6.42	31	6.57	31	6.71	32	6.82	33	6.90	33	6.99	33	7.05	33	7.09	33	7.13	33	7.07	33
1252	7031		6842		6633		6423		6214		5990		5738		5487		5235		4922		4605	
	7.03	33	7.21	33	7.36	33	7.50	33	7.65	33	7.78	33	7.88	34	7.97	34	8.06	34	8.10	34	8.14	34

Performance certified is for Installation Type A: Free Inlet, Free Outlet. Performance ratings do not include the effects of appurtenances (accessories). Power rating (BHP) does not include transmission losses. The sound ratings shown are loudness values in hemispherical sones at 1.5 m (5ft) in a hemispherical free field calculated per AMCA Standard 301. Values shown are for Installation Type A: Free Inlet hemispherical sone levels. The brake horsepower capability of an exhauster motor is dependent on the degree of cooling the motor receives from the air moving through the motor. The motor loading beyond the motor nameplate rating does not overheat the motor and is in accordance with the motor manufacturer's recommendations. It is therefore not detrimental to the motor and is economically desirable.

PNU360 (PNUHP365)

PERFORMANCE DATA																				
CFM and Sones vs. Static Pressure																				
RPM	.000"		.250"		.500"		.750"		1.000"		1.250"		1.500"		1.750"		2.000"		2.250"	
	BHP	Sone	BHP	Sone	BHP	Sone	BHP	Sone	BHP	Sone	BHP	Sone	BHP	Sone	BHP	Sone	BHP	Sone	BHP	Sone
317	5033		3704																	
	0.17	5.0	0.26	4.5																
350	5557		4400		2285															
	0.22	5.9	0.34	5.4	0.36	5.0														
391	6208		5196		3847															
	0.30	7.4	0.44	6.6	0.52	6.0														
447	7098		6225		5210		3685													
	0.45	9.6	0.60	8.8	0.73	8.5	0.77	7.8												
467	7415		6584		5637		4359													
	0.51	10.5	0.67	9.6	0.81	9.2	0.88	8.6												
498	7907		7135		6284		5208		3388											
	0.62	11.5	0.79	10.5	0.95	10.1	1.05	9.6	1.02	9.0										
568	9019		8342		7628		6820		5833		4362									
	0.91	13.9	1.11	12.8	1.30	12.7	1.45	12.8	1.56	11.1	1.55	11.2								
576	9146		8478		7776		6990		6038		4720									
	0.95	14.2	1.15	13.2	1.34	12.8	1.50	12.6	1.62	11.9	1.64	11.5								
641	10178		9578		8962		8315		7559		6675		5513							
	1.30	16.6	1.52	15.5	1.74	15.2	1.95	15.0	2.11	14.9	2.23	14.0	2.26	13.6						
738	11718		11197		10676		10123		9560		8905		8218		7368		6292		4402	
	1.97	21	2.23	19.3	2.49	19.0	2.73	18.8	2.97	18.5	3.16	18.5	3.32	17.5	3.42	16.8	3.43	17.0	3.14	17.0
774	12290		11793		11296		10777		10241		9659		9019		8295		7484		6375	
	2.27	22	2.55	20	2.82	21	3.08	20	3.33	20	3.55	20	3.73	19.5	3.87	18.7	3.98	17.7	3.95	18.0
844	13401		12946		12490		12031		11539		11047		10501		9914		9285		8542	
	2.94	26	3.24	25	3.53	25	3.83	24	4.10	24	4.37	24	4.60	23	4.80	23	4.98	22	5.09	22
870	13814		13372		12930		12488		12014		11537		11038		10469		9900		9211	
	3.22	28	3.52	27	3.83	26	4.14	26	4.42	25	4.70	25	4.96	25	5.17	24	5.37	23	5.51	23
984	15624		15234		14843		14452		14059		13637		13216		12794		12321		11818	
	4.64	34	4.99	33	5.34	32	5.68	32	6.03	31	6.34	31	6.66	31	6.98	30	7.24	30	7.47	30

CFM and Sones vs. Static Pressure																						
RPM	2.500"		2.750"		3.000"		3.250"		3.500"		3.750"		4.000"		4.250"		4.500"		4.750"		5.000"	
	BHP	Sone	BHP	Sone	BHP	Sone	BHP	Sone	BHP	Sone	BHP	Sone	BHP	Sone	BHP	Sone	BHP	Sone	BHP	Sone	BHP	Sone
844	7671		6547																			
	5.14	21	5.06	21																		
870	8490		7535		6250																	
	5.63	22	5.61	22	5.44	22																
984	11314		10745		10108		9464		8585		7565											
	7.71	29	7.89	28	8.02	27	8.15	26	8.11	26	7.99	27										

Performance certified is for Installation Type A: Free Inlet, Free Outlet. Performance ratings do not include the effects of appurtenances (accessories). Power rating (BHP) does not include transmission losses. The sound ratings shown are loudness values in hemispherical sones at 1.5 m (5ft) in a hemispherical free field calculated per AMCA Standard 301. Values shown are for Installation Type A: Free Inlet hemispherical sone levels. The brake horsepower capability of an exhauster motor is dependent on the degree of cooling the motor receives from the air moving through the motor. The motor loading beyond the motor nameplate rating does not overheat the motor and is in accordance with the motor manufacturer's recommendations. It is therefore not detrimental to the motor and is economically desirable.



PNU365 (PNU365)

PERFORMANCE DATA																						
CFM and Sones vs. Static Pressure																						
RPM	.000"		.250"		.500"		.750"		1.000"		1.250"		1.500"		1.750"		2.000"		2.250"		2.500"	
	BHP	Sone	BHP	Sone	BHP	Sone	BHP	Sone	BHP	Sone	BHP	Sone	BHP	Sone	BHP	Sone	BHP	Sone	BHP	Sone	BHP	Sone
259	6910																					
	0.19	5.1																				
299	7978		5659																			
	0.29	6.9	0.39	6.1																		
313	8351		6174																			
	0.33	7.6	0.44	6.8																		
370	9872		8078		5752																	
	0.55	10.5	0.68	9.7	0.76	9.2																
398	10619		8969		7018																	
	0.68	10.6	0.82	9.6	0.95	9.1																
414	11046		9475		7662																	
	0.77	11.6	0.91	10.5	1.05	9.8																
469	12514		11176		9646		7803															
	1.11	15.0	1.28	14.1	1.45	12.9	1.56	12.5														
477	12727		11418		9914		8154															
	1.17	15.4	1.34	14.6	1.51	13.3	1.63	12.9														
530	14141		12991		11640		10254		8473													
	1.61	17.2	1.79	16.0	1.99	15.1	2.17	14.5	2.24	13.5												
563	15022		13949		12688		11426		9932													
	1.92	19.0	2.12	17.9	2.33	17.0	2.53	16.3	2.68	15.5												
610	16276		15294		14168		12993		11767		10274											
	2.45	22	2.66	22	2.88	21	3.11	21	3.31	20	3.42	19.4										
656	17503		16596		15585		14475		13395		12170		10704									
	3.04	25	3.27	24	3.51	23	3.75	22	3.98	22	4.18	21	4.26	20								
719	19184		18360		17474		16472		15479		14482		13347		12035							
	4.01	30	4.26	28	4.52	27	4.78	27	5.04	26	5.29	26	5.50	25	5.60	24						
813	21692		20967		20210		19378		18476		17601		16730		15788		14731		13545			
	5.79	35	6.08	35	6.37	33	6.66	32	6.93	32	7.26	31	7.54	29	7.80	29	8.01	28	8.10	27		

Performance certified is for Installation Type A: Free Inlet, Free Outlet. Performance ratings do not include the effects of appurtenances (accessories). Power rating (BHP) does not include transmission losses. The sound ratings shown are loudness values in hemispherical sones at 1.5 m (5ft) in a hemispherical free field calculated per AMCA Standard 301. Values shown are for Installation Type A: Free Inlet hemispherical sone levels. The brake horsepower capability of an exhauster motor is dependent on the degree of cooling the motor receives from the air moving through the motor. The motor loading beyond the motor nameplate rating does not overheat the motor and is in accordance with the motor manufacturer's recommendations. It is therefore not detrimental to the motor and is economically desirable.

PNU425 (PNU425)

PERFORMANCE DATA																						
CFM and Sones vs. Static Pressure																						
RPM	.000"		.250"		.500"		.750"		1.000"		1.250"		1.500"		1.750"		2.000"		2.250"		2.500"	
	BHP	Sone	BHP	Sone	BHP	Sone	BHP	Sone	BHP	Sone	BHP	Sone	BHP	Sone	BHP	Sone	BHP	Sone	BHP	Sone	BHP	Sone
212	8930																					
	0.22	4.8																				
230	9688		5924																			
	0.28	5.6	0.39	5.0																		
268	11288		8325																			
	0.44	7.7	0.59	6.8																		
273	11499		8606																			
	0.47	7.9	0.62	7.1																		
301	12678		10095																			
	0.63	9.6	0.80	8.7																		
328	13816		11468		5876																	
	0.81	10.0	1.00	8.8	1.14	8.3																
345	14532		12319		9723																	
	0.95	11.1	1.14	9.9	1.32	9.2																
373	15711		13708		11429																	
	1.20	13.0	1.41	11.9	1.61	10.9																
410	17269		15497		13460		11078															
	1.59	15.9	1.82	15.3	2.06	14.4	2.22	14.0														
450	18954		17373		15519		13599															
	2.10	17.3	2.35	16.2	2.62	15.4	2.85	14.8														
470	19797		18294		16526		14747		12558													
	2.40	18.6	2.66	17.5	2.93	16.7	3.19	16.1	3.35	15.2												
518	21818		20472		18918		17312		15607		13515											
	3.21	22	3.50	22	3.79	21	4.09	21	4.36	20	4.49	19.1										
557	23461		22216		20822		19303		17817		16105		14033									
	3.99	25	4.30	24	4.61	23	4.94	22	5.25	22	5.50	21	5.57	20								
571	24051		22839		21495		20008		18568		16964		15058									
	4.30	26	4.61	25	4.94	24	5.27	23	5.59	23	5.87	22	6.01	21								
638	26873		25794		24644		23347		22028		20738		19326		17705							
	5.99	32	6.35	31	6.70	30	7.07	29	7.44	28	7.80	28	8.12	27	8.34	26						
703	29611		28635		27617		26501		25288		24106		22936		21680		20273		18699			
	8.02	35	8.41	35	8.80	33	9.20	32	9.61	32	10.02	31	10.41	30	10.77	29	11.06	28	11.21	27		

Performance certified is for Installation Type A: Free Inlet, Free Outlet. Performance ratings do not include the effects of appurtenances (accessories). Power rating (BHP) does not include transmission losses. The sound ratings shown are loudness values in hemispherical sones at 1.5 m (5ft) in a hemispherical free field calculated per AMCA Standard 301. Values shown are for Installation Type A: Free Inlet hemispherical sone levels. The brake horsepower capability of an exhauster motor is dependent on the degree of cooling the motor receives from the air moving through the motor. The motor loading beyond the motor nameplate rating does not overheat the motor and is in accordance with the motor manufacturer's recommendations. It is therefore not detrimental to the motor and is economically desirable.



PNU490 (PNU490)

PERFORMANCE DATA																
CFM and Sones vs. Static Pressure																
RPM	.000"		.250"		.500"		.750"		1.000"		1.250"		1.500"		1.750"	
	BHP	Sone	BHP	Sone	BHP	Sone	BHP	Sone	BHP	Sone	BHP	Sone	BHP	Sone	BHP	Sone
174	11232															
	0.25	4.5														
177	11426															
	0.26	4.7														
222	14331		10132													
	0.51	7.1	0.70	6.4												
237	15299		11458													
	0.63	8.1	0.83	7.2												
265	17107		13729													
	0.88	10.0	1.11	9.2												
269	17365		14042													
	0.92	10.3	1.15	9.5												
291	18785		15745		12091											
	1.16	10.6	1.41	9.4	1.62	8.7										
322	20786		18107		15057											
	1.57	12.9	1.85	11.8	2.12	10.6										
332	21432		18857		15933											
	1.72	13.8	2.01	12.6	2.29	11.4										
365	23562		21282		18643		15682									
	2.29	16.8	2.60	15.8	2.92	14.7	3.18	14.5								
383	24724		22574		20060		17409									
	2.64	17.4	2.97	16.3	3.31	15.5	3.61	14.9								
428	27629		25739		23528		21301		18751							
	3.69	21	4.05	20	4.43	19.8	4.80	19.0	5.10	18.4						
438	28274		26433		24291		22111		19706		16666					
	3.95	22	4.32	21	4.71	21	5.09	19.9	5.42	19.2	5.51	18.2				
453	29242		27468		25428		23306		21082		18369					
	4.37	23	4.76	23	5.16	22	5.55	21	5.91	21	6.11	19.6				
517	33374		31834		30155		28265		26430		24503		22258			
	6.50	29	6.94	28	7.38	27	7.85	26	8.30	26	8.71	25	9.02	24		

Performance certified is for Installation Type A: Free Inlet, Free Outlet. Performance ratings do not include the effects of appurtenances (accessories). Power rating (BHP) does not include transmission losses. The sound ratings shown are loudness values in hemispherical sones at 1.5 m (5ft) in a hemispherical free field calculated per AMCA Standard 301. Values shown are for Installation Type A: Free Inlet hemispherical sone levels. The brake horsepower capability of an exhauster motor is dependent on the degree of cooling the motor receives from the air moving through the motor. The motor loading beyond the motor nameplate rating does not overheat the motor and is in accordance with the motor manufacturer's recommendations. It is therefore not detrimental to the motor and is economically desirable.

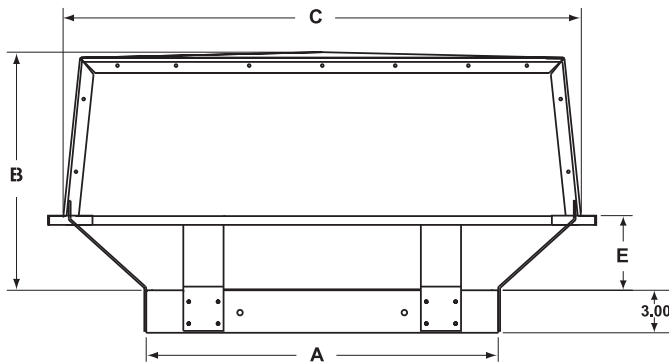
For more information on this product contact your sales support.



Est. 1938

Belt Drive Centrifugal Roof Exhauster Model PL

Model PL belt drive fans are downblast centrifugal power roof ventilators designed for exhausting clean air. Capacities up to 31,810 CFM and up to 1 inch static pressure. The PL is built to be a low profile exhauster. PL exhausters are suitable for all types of commercial and institutional buildings such as schools, hospitals, office buildings and retail stores.



DIMENSIONS							
Fan Model	A	B	C	E	Roof Opening*	Damper Model	Curb Model
PL135	24.00	16.29	37.48	5.10	19.5 x 19.5	AR18	C22.5
PL145	24.00	16.29	37.48	5.10	19.5 x 19.5	AR18	C22.5
PL163	28.00	18.83	39.06	5.85	23.5 x 23.5	AR22	C26.5
PL171	28.00	18.82	39.06	5.85	23.5 x 23.5	AR22	C26.5
PL200	28.00	16.25	39.06	3.50	23.5 x 23.5	AR22	C26.5
PL223	28.00	16.25	39.06	3.50	23.5 x 23.5	AR22	C26.5
PL245	34.00	17.95	44.00	3.73	29.5 x 29.5	AR28	C32.5
PL270	34.00	17.95	44.00	3.73	29.5 x 29.5	AR28	C32.5
PL300	40.00	21.00	53.00	5.50	35.5 x 35.5	AR34	C38.5
PL330	40.00	21.00	53.00	5.50	35.5 x 35.5	AR34	C38.5
PL365	46.00	28.00	64.00	6.50	41.5 x 41.5	AR40	C44.5
PL403	46.00	28.00	64.00	6.50	41.5 x 41.5	AR40	C44.5
PL490	60.00	34.50	78.00	8.50	55.5 x 55.5	AR54	C58.5
PL543	60.00	34.50	78.00	8.50	55.5 x 55.5	AR54	C58.5

Dimensions are shown in inches.

*Recommended maximum.

Construction Features

Housing

- Hoods and base constructed of heavy gauge aluminum and supported by steel frame
- Bolted-on hood provides easy access to motor and drive compartment for servicing
- Rugged structural frame transmits entire weight of motor, impeller, drive assembly and hood directly to roof curb
- Steel fasteners are zinc dichromate plated
- Heavy gauge galvanized wire birdscreen
- Full perimeter storm band and wide hood overhang provide extra protection from driving rain and snow
- Full 360° perimeter hood outlet area for quiet, efficient performance

Airfoil Centrifugal Wheel

- Aluminum construction with backward curved hollow airfoil blades
- Non-overloading design for safe operation
- Precision balanced for smooth vibration free operation

Bearings

- Permanently lubricated in an Acme D.S. pillow block housing
- Bearings are resiliently mounted in neoprene rings
- Rated at L₅₀ life of 200,000 hours
- **5 year** limited warranty on Acme D.S. pillow block bearings
- Pillow block bearings standard on PL365-543

Drive Assembly

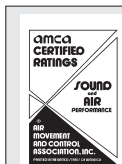
- Cast iron drives sized for 150% of drive horsepower
- Static free, oil and heat resistant belts

Motors

- Continuous duty motors mounted on slide rails to maintain correct belt tension
- Factory wired to junction box

Options/Accessories

- Roof Curbs
- Dampers
- Coatings
- Curb Hinge
- Louvered Hood (PLZ)



Acme Engineering & Manufacturing Corporation certifies that the models shown herein are licensed to bear the AMCA seal. The ratings shown are based on tests and procedures performed in accordance with AMCA Publication 211 and AMCA Publication 311 and comply with the requirements of the AMCA Certified Ratings Program.



U.L. 705 Listed

Consult your Acme representative for availability.

PERFORMANCE DATA																				
Fan Model	RPM	Sones @ 1/8" SP	HP	CFM and BHP vs. Static Pressure																Est. Ship Wt.
				.000"		.125"		.250"		.375"		.500"		.625"		.750"		1.000"		
				CFM	BHP	CFM	BHP	CFM	BHP	CFM	BHP	CFM	BHP	CFM	BHP	CFM	BHP	CFM	BHP	
PL135E1	474 712	5.4	1/4	635 950	.01 .02	660 .02														83
PL135E2	657 987	7.3	1/4	878 1320	.01 .05	545 1100	.02 .06	900	.06	585	.06									83
PL135E3	835 1228	9.9	1/4	1115 1640	.03 .10	865 1460	.04 .11	575 1295	.04 .11	1135	.12	930	.13	575	.11					83
PL135E4	917 1376	10.8	1/4	1225 1840	.04 .13	990 1675	.05 .14	755 1525	.05 .16	250 1385	.04 .17	1230	.18	1045	.18	750	.16			83
PL135E5	1032 1548	14.1	1/4	1380 2070	.06 .19	1165 1925	.06 .20	975 1780	.07 .23	725 1655	.07 .24	1535	.25	1395	.25	1240	.25	700	.20	84
PL135F	1327 1720	16.0	1/3	1775 2299	.12 .26	1605 2140	.13 .28	1450 2040	.14 .29	1310 1920	.15 .30	1140 1805	.16 .31	920 1700	.16 .33	545 1575	.13 .34	1270	.35	87
PL145E1	752 1075	9.6	1/4	1230 1760	.04 .11	970 1590	.04 .12	500 1395	.04 .13	1150	.13	760	.12							83
PL145E2	786 1180	11.3	1/4	1285 1930	.04 .14	1040 1770	.05 .15	650 1610	.05 .17	1410	.17	1155	.17	745	.15					83
PL145E3	918 1376	14.4	1/4	1500 2250	.07 .28	1300 2120	.08 .24	1040 1980	.08 .25	600 1830	.07 .27	1660	.28	1455	.28	1180	.26			84
PL145F	1130 1522	17.1	1/3	1850 2490	.13 .31	1690 2370	.14 .32	1510 2250	.15 .33	1290 2120	.15 .35	990 1970	.14 .36	440 1810	.11 .37	1630	.37	1090	.32	87
PL163E1	658 988	9.9	1/4	1545 2325	.04 .15	1185 2100	.05 .17	540 1850	.05 .18	1560	.19	1145	.17	385	.12					100
PL163E2	741 1110	11.3	1/4	1740 2610	.06 .21	1430 2420	.07 .23	950 2200	.08 .24	1960	.26	1690	.26	1305	.25	700	.20			101
PL163F	835 1229	13.9	1/3	1965 2890	.09 .29	1695 2720	.10 .31	1370 2530	.11 .32	865 2325	.10 .34	2100	.35	1855	.36	1505	.34	290	.20	104
PL163G	934 1425	16.6	1/2	2195 3350	.13 .45	1960 3210	.14 .47	1685 3045	.15 .49	1355 2875	.16 .51	800 2695	.13 .53	2505	.54	2290	.55	1745	.53	111
PL171E1	609 896	9.5	1/4	1665 2450	.05 .15	1280 2185	.06 .17	470 1935	.04 .18	1590	.18	1030	.16							100
PL171E2	700 1029	9.8	1/4	1915 2815	.06 .22	1580 2585	.07 .25	1150 2360	.06 .27	2130	.28	1815	.28	1370	.27	550	.18			101
PL171F	742 1110	11.4	1/3	2030 3035	.08 .28	1715 2825	.10 .31	1345 2610	.11 .33	570 2410	.08 .34	2155	.35	1835	.34	1370	.31			104
PL171G	817 1247	14.3	1/2	2235 3410	.11 .40	1945 3220	.13 .43	1650 3025	.14 .45	1190 2845	.12 .48	130 2660	.07 .49	2435	.50	2160	.49	1280	.41	111
PL200E1	499 727	8.6	1/4	1790 2605	.05 .16	1370 2290	.06 .17	815 2025	.06 .18	1750	.19	1410	.19							194
PL200E2	530 820	9.3	1/4	1900 2940	.06 .23	1500 2660	.07 .24	1100 2410	.08 .25	2170	.27	1930	.28	1630	.28	1115	.24			195
PL200F	632 906	10.8	1/3	2265 3245	.10 .31	1910 2980	.11 .32	1610 2750	.12 .33	1225 2540	.13 .35	2325	.36	2110	.37	1850	.37			198
PL200G	710 1049	16.4	1/2	2545 3584	.15 .47	2230 3380	.16 .49	1960 3205	.17 .51	1675 3030	.18 .52	1260 2880	.17 .54	2715	.55	2530	.57	2080	.58	203
PL223E1	393 590	6.8	1/4	1910 2870	.04 .15	1345 2490	.05 .16	2128	.17	1585	.17									196
PL223E2	430 674	8.0	1/4	2090 3280	.06 .22	1585 2940	.07 .23	2635	.25	2280	.26	1740	.25							197
PL223F	478 749	9.8	1/3	2325 3645	.08 .30	1865 3335	.09 .31	1250 3055	.09 .34	2775	.35	2440	.36	1885	.35					200
PL223G	574 860	12.1	1/2	2790 4183	.13 .45	2400 3910	.15 .47	2025 3660	.16 .50	1375 3425	.16 .50	3170	.53	2880	.54	2500	.54			205
PL245E	368 577	7.3	1/4	2500 3920	.06 .21	1805 3450	.07 .23	3020	.25	2580	.26	1945	.25							210
PL245F	442 638	9.3	1/3	3005 4335	.10 .29	2410 3900	.11 .31	1820 3510	.12 .33	3130	.35	2710	.36	2010	.34					213
PL245G	466 713	10.8	1/2	3170 4845	.11 .40	2600 4455	.13 .43	2060 4095	.14 .44	3750	.47	3415	.49	3045	.50	2505	.49			220
PL245H	545 831	14.8	3/4	3705 5650	.18 .64	3200 5300	.20 .67	2770 4980	.21 .69	2265 4680	.22 .72	4400	.74	4110	.77	3800	.79	3020	.78	223
PL270E	327 491	6.9	1/4	2815 4225	.06 .21	2045 3695	.08 .24	3210	.26	2535	.26									213
PL270F	368 532	8.0	1/3	3170 4580	.09 .27	2490 4090	.11 .30	835 3635	.06 .32	3125	.33	1855	.29							216
PL270G	405 606	9.8	1/2	3485 5215	.12 .40	2855 4785	.14 .43	2130 4370	.15 .46	3980	.48	3505	.49	2625	.46					223
PL270H	486 688	12.7	3/4	4183 5922	.21 .59	3645 5540	.23 .62	3151 5160	.25 .65	2437 4820	.25 .68	4470	.71	4050	.72	3470	.72			226

Performance certified is for installation type A: Free inlet, Free Outlet. Performance ratings do not include the effects of appurtenance (accessories). The sound ratings shown are loudness values in hemispherical sones at 1.5 m (5ft) in a hemispherical free field calculated per AMCA Standard 301. Values shown are for Installation Type A: Free Inlet hemispherical sone levels. The brake horsepower capability of an exhauster motor is dependent on the degree of cooling the motor receives from the air moving through the motor. The motor loading beyond the motor nameplate rating does not overheat the motor and is in accordance with the motor manufacturer's recommendations. It is therefore not detrimental to the motor and is economically desirable. Power rating (BHP) does not include transmission losses.

PERFORMANCE DATA																						
Fan Model	RPM	Sones @ 1/8" SP	HP	CFM and BHP vs. Static Pressure																		Est. Ship Wt.
				.000"		.125"		.250"		.375"		.500"		.625"		.750"		1.000"				
				CFM	BHP	CFM	BHP	CFM	BHP	CFM	BHP	CFM	BHP	CFM	BHP	CFM	BHP	CFM	BHP			
PL300F	311 457	9.0	1/3	3935 5785	.09 .30	2900 4990	.11 .33	4385 .35	3720 .37	2325 .33										340		
PL300G	337 514	9.7	1/2	4265 6505	.12 .43	3310 5775	.14 .46	5220 .49	4660 .51	4050 .53	2860 .48									348		
PL300H	395 593	13.2	3/4	5000 7505	.19 .66	4140 6860	.22 .70	3400 6315	.24 .73	1930 5860	.21 .76	5375 .79	4855 .81	4240 .81						351		
PL300J	481 653	15.1	1	4810 8265	.35 .88	5320 7660	.38 .93	4740 7147	.41 .97	4130 6730	.43 1.00	3380 6305	.43 1.03	5850 1.06	5380 1.08	3800 1.01				354		
PL300K	553 751	17.3	1 1/2	7000 9505	.53 1.34	6320 8980	.57 1.39	5765 8500	.60 1.44	5265 8100	.63 1.48	4720 7720	.65 1.52	4125 7370	.66 1.55	2135 6980	.50 1.59	6160 1.65		366		
PL330F	248 384	8.5	1/3	3925 6077	.09 .31	2674 5240	.11 .34	4475 .37	3211 .37											346		
PL330G	301 427	9.8	1/2	4764 6758	.16 .43	3725 5995	.18 .46	1505 5293	.15 .49	4568 .52	2398 .44									353		
PL330H	327 499	12.8	3/4	5175 7897	.20 .67	4208 7246	.22 .72	3184 6621	.24 .75	6031 .79	5421 .82	4340 .81								356		
PL330J	386 546	15.0	1	6109 8641	.32 .88	5276 8050	.35 .93	4514 7463	.38 .97	3330 6909	.38 1.01	6386 1.05	5767 1.08	4717 1.06						359		
PL330K	450 611	16.4	1 1/2	7122 9670	.50 1.23	6395 9148	.54 1.28	5719 8601	.57 1.33	5083 8106	.60 1.37	4101 7618	.61 1.42	7150 1.46	6636 1.50	4170 1.38				371		
PL330L	531 688	21	2	8404 10889	.81 1.75	7795 10432	.85 1.81	7196 9942	.90 1.87	6632 9481	.93 1.92	6094 9041	.97 1.97	5391 8608	.99 2.01	3745 8192	.92 2.07	7229 2.14		380		
PL365G	246 369	9.2	1/2	5575 8365	.13 .44	4050 7280	.16 .47	6340 .52	5155 .53											463		
PL365H	279 426	11.6	3/4	6325 9655	.19 .67	4985 8670	.22 .71	3225 7880	.22 .77	7000 .82	5945 .82	3990 .73								466		
PL365J	313 469	12.9	1	7095 10630	.27 .90	5871 9735	.30 .93	4625 8965	.33 1.00	8245 1.06	7400 1.10	6375 1.09	4620 .97							469		
PL365K	375 532	15.7	1 1/2	8500 12060	.46 1.31	7420 11250	.50 1.35	6510 10540	.55 1.41	5365 9915	.56 1.49	4255 1.56	8425 1.60	7645 1.60	4140 1.32					480		
PL365L	395 593	18.9	2	8955 13440	.61 1.81	7920 12700	.65 1.86	7060 12045	.72 1.92	6045 11450	.74 2.00	4600 10905	.71 2.10	10290 2.16	9635 2.21	8058 2.21				488		
PL365M	494 677	21	3	11195 15345	1.05 2.70	10340 14700	1.09 2.70	9595 14100	1.15 2.80	8925 13540	1.23 2.90	8160 13040	1.27 3.00	7280 12560	1.28 3.10	6135 12040	1.24 3.20	10890 3.30		540		
PL403H	234 357	9.9	3/4	6945 10595	.19 .67	5100 9335	.22 .74	8165 .78	6895 .79	2950 .58										473		
PL403J	265 397	11.5	1	7865 11785	.27 .92	6215 10650	.32 1.00	4150 9550	.31 1.06	8510 1.08	7195 1.09	2540 .72								476		
PL403K	318 450	13.7	1 1/2	9440 13355	.51 1.35	8035 12340	.53 1.44	6720 11390	.56 1.51	4485 10455	.52 1.55	9520 1.58	8390 1.58	6355 1.48						488		
PL403L	377 498	16.5	2	11190 14780	.79 1.82	9990 13870	.86 1.92	8870 12975	.91 2.01	7750 12125	.93 2.07	6045 11315	.91 2.12	10445 2.15	9430 2.15	2565 1.29				495		
PL403M	406 563	18.6	3	12050 16710	.99 2.64	10950 15900	1.07 2.75	9880 15100	1.13 2.85	8860 14340	1.16 2.94	7660 13600	1.16 3.00	4905 12860	1.02 3.05	12110 3.09	10300 3.10			550		
PL490H	168 265	8.9	3/4	9335 14155	.18 .65	6185 11905	.22 .69	10025 .76	7465 .74											687		
PL490J	191 287	9.9	1	10615 15950	.27 .91	7805 13900	.31 .95	12145 1.04	10390 1.08	7155 .98										690		
PL490K	229 325	11.8	1 1/2	12725 18060	.46 1.32	10260 16210	.51 1.36	8095 14580	.55 1.46	13125 1.51	11530 1.51	8890 1.48								702		
PL490L	268 363	13.0	2	14890 20170	.74 1.84	12720 18485	.79 1.87	10900 16965	.86 1.97	8825 15600	.88 2.10	14310 2.17	12860 2.19	10725 2.12						709		
PL490M	298 413	18.7	3	16560 22950	1.02 2.72	14575 21450	1.06 2.72	12865 20080	1.16 2.82	11220 18800	1.21 2.96	8985 17650	1.19 3.10	16500 3.18	15250 3.21	11600 3.07				765		
PL490N	410 505	28	5	22780 28060	2.66 4.95	21300 26880	2.70 4.97	19850 25700	2.81 5.03	18600 24500	2.93 5.21	17350 23500	3.03 5.40	16080 22450	3.10 5.56	14800 21700	3.14 5.72	11100 19450	2.91 5.88	779		
PL543J	169 239	8.3	1	11685 16525	.31 .89	8416 14290	.36 .97	11900 1.02	7840 .95											704		
PL543K	185 273	10.2	1 1/2	12795 18880	.41 1.33	9920 16905	.47 1.42	14945 1.50	12626 1.53	8110 1.36										716		
PL543L	200 296	11.0	2	13830 20470	.52 1.69	11180 18650	.59 1.86	7450 16910	.58 1.88	14875 1.94	12505 1.92	4960 1.32								725		
PL543M	243 341	15.5	3	16805 23580	.94 2.59	14590 21995	1.02 2.71	12270 20460	1.07 2.81	3280 18925	.62 2.91	17110 2.97	15115 2.97	11935 2.83						778		
PL543N	305 400	18.8	5	21090 27660	1.85 4.17	19315 26300	1.95 4.30	17615 24950	2.04 4.46	15710 23650	2.12 4.58	13520 22350	2.12 4.68	9000 20850	1.88 4.77	19250 4.80	14950 4.64			783		

Performance certified is for installation type A: Free inlet, Free Outlet. Performance ratings do not include the effects of appurtenance (accessories). The sound ratings shown are loudness values in hemispherical sones at 1.5 m (5ft) in a hemispherical free field calculated per AMCA Standard 301. Values shown are for Installation Type A: Free Inlet hemispherical sone levels. The brake horsepower capability of an exhauster motor is dependent on the degree of cooling the motor receives from the air moving through the motor. The motor loading beyond the motor nameplate rating does not overheat the motor and is in accordance with the motor manufacturer's recommendations. It is therefore not detrimental to the motor and is economically desirable. Power rating (BHP) does not include transmission losses.

For more information on this product contact your sales support.





Est. 1938

Ceiling & Cabinet Exhausters

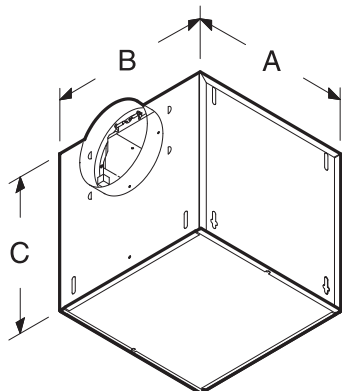
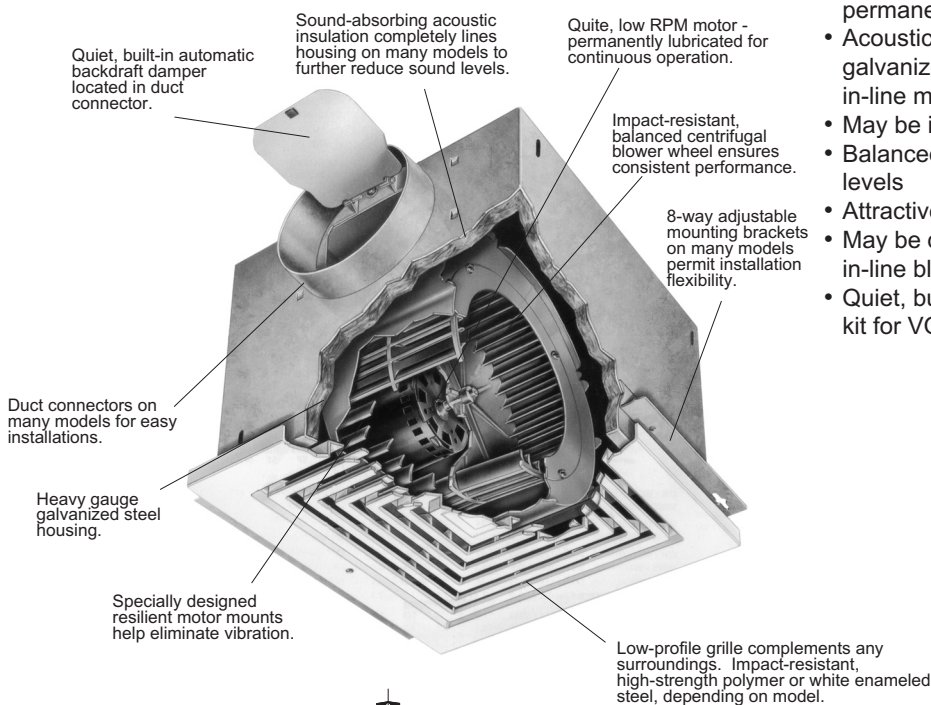
Models VQ and VQL

Model VQ Ceiling and VQL In-Line fans are direct drive centrifugal exhausters design for ultra-quiet operation. Capacities up to 3868 CFM and up to 1 inch static pressure. Perfect for offices, conference rooms, bathrooms, hospital rooms - Anywhere quiet, high capacity ventilation is needed.



Construction Features

- Equipped with electrical terminal box and plug-in disconnect inside housing
- Wiring plate allows unit to be wired from outside housing
- Low RPM motors mounted on resilient mounts for quiet, vibration-free operation
- Motors designed for continuous operation and are permanently lubricated
- Acoustic insulation inside rugged, heavy gauge galvanized steel housings (VQ50, VQ80, and some in-line models not insulated)
- May be installed in ceiling or wall
- Balanced blower wheels for extremely low sound levels
- Attractive, low profile grilles standard on VQ models
- May be ducted right angle, straight through or as an in-line blower (VQ50 and VQ80 right angle only)
- Quiet, built-in backdraft dampers (optional damper kit for VQL2000 and VQL3500)



Fan Model	DIMENSIONS			Duct Connector	Est. Ship Wt.
	A	B	C		
VQ50	7.25	7.50	3.63	3.00 Round	5
VQ80	8.00	8.25	5.75	4.00 Round	7
VQ100, 150 VQL100, 150	12.25	12.25	11.75	6.00 Round	5
VQ200, 250, 300 VQL200, 250, 300	12.25	12.25	11.75	8.00 Round	5
VQ400, 500, 700 VQL400, 500, 700	12.25	21.50	11.75	4.50 x 18.50	34
VQ900, 1500 VQL900, 1500	18.00	22.00	18.00	8 x 12	64
VQL2000	14.68	38.00	14.63	7.75 x 33.75	89
VQL3500	16.75	45.75	16.75	9.75 x 41.375	144

Dimensions are shown in inches.
Weights are shown in pounds.

Acme Engineering & Manufacturing Corporation certifies that the models shown herein are licensed to bear the AMCA seal. The ratings shown are based on tests and procedures performed in accordance with AMCA Publication 211 and AMCA Publication 311 and comply with the requirements of the AMCA Certified Ratings Program.

U.L.705 Listed

Consult your Acme representative for availability.

Ceiling & Cabinet Exhausters

PERFORMANCE DATA																								
Fan Model	Discharge	Static Pressures																		Nominal RPM	Watts	AMPS @60HZ		
		.000"		.100"		.125"		.250"		.375"		.500"		.625"		.750"		.875"					1.00"	
		CFM	Sone	CFM	Sone	CFM	Sone	CFM	Sone	CFM	Sone	CFM	Sone	CFM	Sone	CFM	Sone	CFM	Sone				CFM	Sone
VQ50	Right Angle	52	3.9	49	4.3	47	4.4	42	4.6	29	5.5											1870	48	0.7
VQ80	Right Angle	89	3.9	81	3.8	80	3.8	68	3.8	36	3.9											1280	48	0.5
VQ100	Right Angle	136	0.5	115	0.8	109	0.9	93	1.3	80	1.8	65	2.3	44	3.0	12	3.2					640	87	1.1
	Straight Through	138	0.7	117	0.9	112	1.0	94	1.3	80	1.8	67	2.2	46	2.8	13	3.0					650	87	1.1
VQ150	Right Angle	181	1.3	161	1.4	157	1.5	141	2.2	132	2.6	124	3.1	114	3.6	94	4.1	62	4.6			710	100	1.3
	Straight Through	179	1.4	163	1.6	160	1.6	149	2.0	142	2.5	133	3.0	122	3.3	105	3.6	73	3.9	23	4.2	750	100	1.3
VQ200	Right Angle	231	1.6	214	1.8	210	1.7	196	2.3	186	2.9	177	3.5	165	4.1	144	4.9	113	5.3	51	5.3	740	127	1.8
	Straight Through	224	1.5	210	1.8	207	2.0	197	2.3	187	2.7	179	3.4	167	4.0	144	4.5	99	5.1	41	5.2	760	127	1.8
VQ250	Right Angle	272	2.1	261	2.3	259	2.2	250	2.9	242	3.3	233	3.9	218	4.4	201	4.8	165	5.5	99	5.8	830	166	2.1
	Straight Through	269	2.3	261	2.6	259	2.7	253	3.0	248	3.3	239	3.7	224	4.2	203	4.7	171	5.4	101	5.6	860	166	2.1
VQ300	Right Angle	312	2.8	309	2.9	308	2.9	303	3.3	296	3.5	287	3.9	273	4.3	254	4.7	219	5.1	125	5.6	905	212	2.6
	Straight Through	319	2.6	314	2.9	313	3.0	306	3.4	299	3.6	288	3.9	274	4.4	251	4.7	219	5.0	120	5.5	940	212	2.6
VQ400	Right Angle	480	2.0	442	2.4	434	2.3	388	2.8	344	3.3	299	3.8	229	4.5	182	4.8	114	5.4	33	5.6	735	146	1.4
	Straight Through	467	2.3	428	2.6	416	2.6	378	3.0	335	3.5	291	4.0	237	5.1	170	5.5	85	5.7	8	5.9	755	146	1.4
VQ500	Right Angle	538	3.0	520	3.1	514	3.3	491	3.6	463	4.0	434	4.4	389	5.0	339	5.7	282	6.2	186	6.7	810	232	2.2
	Straight Through	539	2.9	517	3.1	512	3.2	481	3.4	451	3.8	418	4.2	367	4.8	319	5.9	247	6.3	137	6.4	865	232	2.2
VQ700	Right Angle	722	4.5	704	4.6	701	4.7	667	4.8	640	5.0	607	5.2	571	5.6	534	6.2	453	7.1	333	7.2	960	313	2.9
	Straight Through	708	5.2	691	5.0	687	5.0	658	5.7	628	5.8	597	6.1	560	6.4	515	7.4	444	7.1	312	7.6	985	313	2.9
VQ900	Right Angle	918	3.8	905	4.0	901	4.1	877	4.0	842	4.2	793	4.3	725	4.4	636	4.9	536	4.5	390	5.3	650	306	3.0
	Straight Through	909	3.8	892	3.4	885	3.4	850	3.5	807	3.6	756	3.7	695	3.9	568	4.2	440	4.3	282	4.4	650	306	3.0
VQ1500	Right Angle	1578	8.6	1526	8.4	1513	8.4	1438	8.1	1371	7.5	1285	7.0	1198	6.7	1103	6.2	1000	5.8	816	5.8	955	468	5.0
	Straight Through	1590	8.5	1519	8.4	1502	8.4	1423	8.1	1340	7.9	1259	7.5	1176	7.2	1069	7.1	954	6.9	689	6.5	955	468	5.0

Performance ratings include the effects of inlet grille and backdraft damper. Speed (RPM) shown is nominal. Performance is based on actual speed of test. The sound ratings shown are loudness values in hemispherical sones at 1.5 m (5ft) in a hemispherical free field calculated per AMCA Standard 301. Values shown are for Installation Type B: Free inlet hemispherical sone levels. Performance certified is for Installations Type B: Free inlet, Ducted outlet.

PERFORMANCE DATA																								
Fan Model	Discharge	Static Pressures																		Nominal RPM	Watts	AMPS @60HZ		
		.000"		.100"		.125"		.250"		.375"		.500"		.625"		.750"		.875"					1.00"	
		CFM	Sone	CFM	Sone	CFM	Sone	CFM	Sone	CFM	Sone	CFM	Sone	CFM	Sone	CFM	Sone	CFM	Sone				CFM	Sone
VQL100	Right Angle	109	0.5	98	0.8	96	0.8	88	1.2	82	1.6	78	2.0	67	2.3	48	2.5	16	2.8			780	87	1.1
	Straight Through	121	0.5	108	0.7	106	0.7	97	1.1	93	1.4	86	1.8	70	2.1	44	2.4	17	2.6			760	87	1.1
VQL150	Right Angle	144	1.2	138	1.4	137	1.4	131	1.6	123	1.9	114	2.1	102	2.4	83	2.5	54	2.7	17	2.9	950	100	1.3
	Straight Through	153	0.9	148	1.0	147	1.1	140	1.4	134	1.6	125	1.9	111	2.1	91	2.2	54	2.4	18	2.6	920	100	1.3
VQL200	Right Angle	183	1.6	177	1.6	176	1.6	170	1.9	163	2.3	152	2.7	137	2.9	121	3.1	96	3.4	51	3.6	930	127	1.8
	Straight Through	205	1.7	196	1.9	195	1.9	190	2.1	185	2.3	175	2.4	158	3.0	135	3.3	96	3.4	47	3.4	865	127	1.8
VQL250	Right Angle	229	2.4	224	2.5	222	2.6	214	2.8	204	3.0	193	3.2	177	3.4	157	3.7	132	3.8	95	3.8	1115	166	2.1
	Straight Through	248	2.0	245	2.3	245	2.3	241	2.6	235	2.8	224	3.2	208	3.4	183	3.6	141	3.9	84	3.8	1005	166	2.1
VQL300	Right Angle	270	3.7	261	3.7	259	3.7	248	3.7	234	3.9	220	3.9	200	4.0	174	4.2	146	4.4	104	4.0	1285	212	2.6
	Straight Through	300	2.9	294	3.0	293	3.1	285	3.3	274	3.4	259	3.5	243	3.6	214	3.7	168	4.0	113	3.9	1145	212	2.6
VQL400	Right Angle	442	1.6	415	1.7	408	1.7	372	2.0	336	2.4	296	2.6	239	3.1	193	3.4	111	3.9	28	4.1	875	146	1.4
	Straight Through	450	1.4	415	1.6	406	1.6	360	1.9	313	2.2	271	2.6	223	2.9	167	3.4	90	3.6	6	3.9	775	146	1.4
VQL500	Right Angle	528	2.9	516	3.8	513	3.4	494	3.7	470	3.5	446	3.6	415	3.9	389	4.0	334	4.2	247	4.4	990	232	2.2
	Straight Through	546	2.4	526	2.4	519	3.4	496	3.7	472	3.9	447	3.8	407	3.9	364	4.0	306	4.3	232	4.3	890	232	2.2
VQL700	Right Angle	680	5.0	667	5.0	663	5.0	644	5.3	621	5.2	594	5.1	557	5.3	513	5.5	440	5.4	342	5.5	1205	313	2.9
	Straight Through	704	3.6	686	3.8	681	3.7	656	3.9	631	4.0	604	4.2	575	4.3	533	4.4	480	4.7	412	5.0	1090	313	2.9
VQL900	Right Angle	795	4.3	778	4.5	772	4.4	743	4.6	709	4.4	668	4.2	613	4.1	527	4.3	432	4.2	291	4.3	755	306	3.0
	Straight Through	930	3.7	902	3.8	894	3.8	853	3.8	807	3.7	754	3.8	685	3.9	587	4.0	442	4.0	300	4.1	810	306	3.0
VQL1500	Right Angle	1160	7.9	1117	7.8	1106	7.9	1051	7.4	998	7.1	928	6.8	856	6.3	769	5.9	657	5.4	499	5.4	1020	468	5.0
	Straight Through	1275	6.8	1228	6.8	1214	6.7	1152	6.5	1092	6.3	1029	6.0	958	6.0	871	6.0	764	6.0	631	6.1	1055	468	5.0

Performance ratings include the effects of backdraft damper. Speed (RPM) shown is nominal. Performance is based on actual speed of test. The sound ratings shown are loudness values in hemispherical sones at 1.5 m (5ft) in a hemispherical free field calculate per AMCA Standard 301. Values shown are for Installation Type D: Ducted inlet hemispherical sone levels. Ratings do not include the effect of duct end correction. Performance ratings include the effects of 18 feet of round inlet duct, if needed, a rectangular to round duct transition in the airstream. Performance certified is for Installation Type D: Ducted inlet, Ducted outlet.

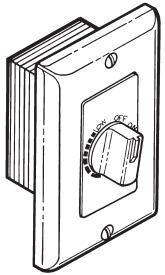
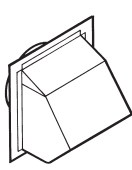
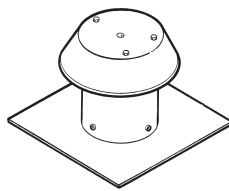
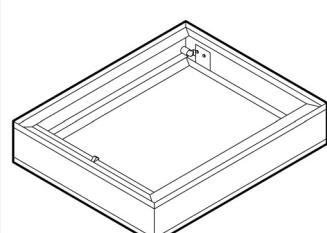
PERFORMANCE DATA																								
Fan Model	Discharge	Static Pressures																		Nominal RPM	Watts	AMPS @60HZ		
		.000"		.100"		.125"		.250"		.375"		.500"		.625"		.750"		.875"					1.00"	
		CFM	Sone	CFM	Sone	CFM	Sone	CFM	Sone	CFM	Sone	CFM	Sone	CFM	Sone	CFM	Sone	CFM	Sone				CFM	Sone
VQL2000	Right Angle	2070	11.1	1931	10.3	1898	10.1	1769	9.7	1609	9.4	1424	9.2	1314	8.5	795	7.0	288	6.7			1020	635	5.8
	Straight Through	1891	10.3	1803	9.8	1791	9.4	1657	9.0	1508	8.6	1347	9.1	1165	8.9	808	7.0	284	6.7			965	590	5.8
VQL3500	Right Angle	3868	14.6	3714	14.2	3696	14.2	3537	13.3	3356	12.8	3168	12.5	2951	11.6	2671	11.4	2384	11.4	2005	13.4	1110	1205	5.4
	Straight Through	3605	15.3	3498	14.8	3452	14.5	3278	14.1	3073	13.1	2893	12.8	2679	12.1	2429	11.8	2093	11.9	1693	10.8	1105	1204	5.4

Performance ratings do not include the effects of appurtenances (accessories). Speed (RPM) shown is nominal. Performance is based on actual speed of test. The sound ratings shown are loudness values in hemispherical sones at 1.5 m (5ft) in a hemispherical free field calculated per AMCA Standard 301. Values shown for Installation Type D: Ducted inlet hemispherical sone levels. Ratings do not include the effect of duct end correction. Performance certified is for Installation Type D: Ducted inlet, Ducted outlet.



Accessories

	Accessory		Model VQ							Model VQL							
	Model	Description	VQ50 VQ80	VQ100 VQ150	VQ200 VQ250 VQ300	VQ400 VQ500	VQ700	VQ900	VQ1500	VQL100 VQL150	VQL200 VQL250 VQL300	VQL400 VQL500 VQL700	VQL900	VQL1500	VQL2000	VQL3500	
Controls	57V	3 Amp. Speed Control-Ivory	•	•	•	•	•			•	•	•					
	57W	3 Amp. Speed Control-White	•	•	•	•	•			•	•	•					
	72V	6 Amp. Speed Control-Ivory						•	•				•	•	•		
	72W	6 Amp. Speed Control-White						•	•				•	•	•		
	75V	6 Amp. Speed Control-Ivory														•	
	59V	60 Minute Timer-Ivory	•	•	•	•	•	•	•	•	•	•	•	•			
	59W	60 Minute Timer-White	•	•	•	•	•	•	•	•	•	•	•	•			
	61V	15 Minute Timer-Ivory	•	•	•	•	•	•	•	•	•	•	•	•			
	61W	15 Minute Timer-White	•	•	•	•	•	•	•	•	•	•	•	•			
Roof Caps	634M	Steel, 3.25" x 10" Up to 6" Rd. Black		•						•							
	634P	Steel, 3.25" x 10" Up to 8" Rd. Black		•	•					•	•						
	644	Alum., 3.25" x 10" Up to 8" Rd.		•	•					•	•						
	611	Flat, Alum., Up to 8" Rd.		•	•					•	•						
	611CM	Alum., For Curb mount, Up to 8" Rd.		•	•					•	•						
	612	Flat, Alum., Up to 12" Rd.				•	•	•	•			•	•	•			
	612CM	Alum., For Curb Mount, Up to 12" Rd.				•	•	•	•			•	•	•			
	437	Steel, up to 10" Rd.				•	•					•					
636	Steel, up to 4" Rd.	•															
Wall Caps	641	Aluminum, 6" Round		•						•							
	885AL	Aluminum, 3"-4" Round	•														
	643	Aluminum, 8" Round			•						•						
	613	Aluminum, 12" Round				•	•	•	•			•	•	•			
In-line Adapters	961L	In-Line Adapter Kit-6" Round		•													
	981L	In-Line Adapter Kit-8" Round			•												
	982L	In-Line Adapter Kit-4.5" x 18.5"				•	•										
	983L	In-Line Adapter Kit-8" x 12"						•	•								
Radiation Dampers	SR1	Ceiling Radiation Damper		•	•												
	SR2	Ceiling Radiation Damper				•	•										
	SR3	Ceiling Radiation Damper						•	•								
Metal Grille Kit	MG1	Metal Grille Kit		•	•												
	MG2	Metal Grille Kit	•														
	G102	White Enameled 16.25" x 39.625"													•		
	G103	White Enameled 18.375" x 47.255"														•	
Brick Vents	BEX 808	Extruded Aluminum		•	•												
	BEX128	Extruded Aluminum				•											
	BEX157	Extruded Aluminum					•	•									
Duct Transitions	423	4.5" x 18.5" to 10" Round				•	•				•						
	T81212	8" x 12" to 12" Round						•	•			•	•				
Damper Kit	D100	Twin Damper Flaps & Mntg Hdw.													•		
	D101	Twin Damper Flaps & Mntg Hdw.														•	
Vibration Hangers	VDH100	Set of Four		•	•	•	•	•	•	•	•	•	•				
	VDH104	Set of Four													•	•	

<p style="text-align: center;">WALL CONTROLS</p>  <p style="text-align: center;">Rotary dial for variable selection of fan speed and sound level</p>	<p style="text-align: center;">WALL CAPS</p>  <p style="text-align: center;">Aluminum - natural finish Built-in backdraft damper</p>	<p style="text-align: center;">ROOF CAPS</p>  <p style="text-align: center;">Built-in birdscreen</p>	<p style="text-align: center;">RADIATION DAMPERS</p>  <p style="text-align: center;">U.L. Listed - classified for use in 1, 2, or 3 hour fire-rated ceiling</p>
--	--	---	---



Est. 1938

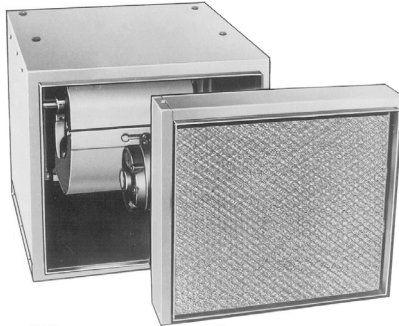
Belt Drive Cabinet Blowers Models DM and DMS

Models DM and DMS are belt drive, forward curved inline duct blowers. These all purpose blowers provide an economical solution to many air moving requirements. Model DM is designed for indoor use and available with 7", 9", 10", 12", 15" and 18" blowers. Model DMS is designed for indoor or outdoor use and available with 9", 10", 12", 15", and 20" blowers. DM and DMS are available as single or twin units.

Construction Features

- Forward curved wheels for operation at low RPM's
- Attractive green enamel finish
- Access panels on both sides for convenient servicing
- Keyed shafts on both ends

DM

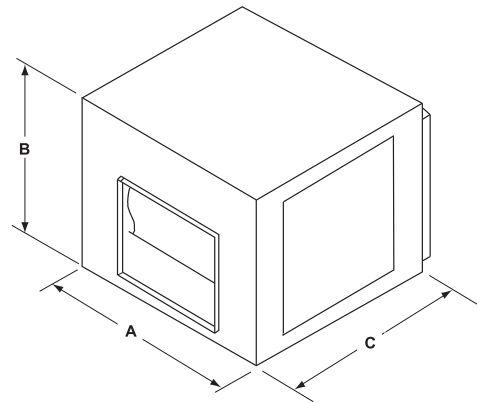


With Optional Filter

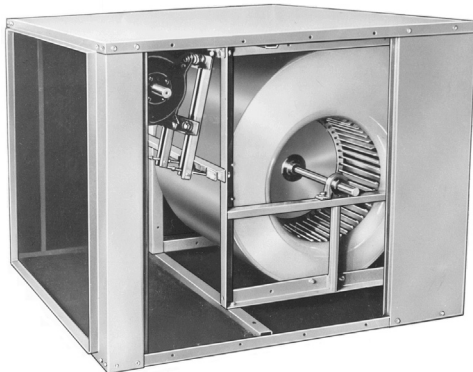


Options/Accessories

- Filter Section
- Intake Hood
- Heating and Cooling Coils
- Vibration Isolation



DMS



DIMENSIONS

Fan Model	A	B	C	Est. Ship Wt.
DM07	18.00	15.38	23.00	46
DM-T07	36.00	15.38	23.00	145
DM09	21.00	18.00	23.00	58
DM-T09	42.00	18.00	23.00	163
DM10	22.25	20.00	24.75	69
DM-T10	44.50	20.00	24.75	190
DM12	27.00	23.00	27.50	89
DM-T12	54.00	23.00	27.50	240
DM15	33.50	28.00	32.00	175
DM-T15	67.00	28.00	32.00	345
DM18	41.50	34.00	44.00	205
DMS09	21.00	18.00	23.00	64
DMS-T09	42.00	18.00	23.00	171
DMS10	22.25	20.00	24.75	74
DMS-T10	44.50	20.00	24.75	198
DMS12	30.13	24.75	34.00	175
DMS-T12	60.13	24.75	34.00	390
DMS15	33.75	28.63	38.13	214
DMS-T15	67.63	28.63	38.13	467
DMS18	41.50	34.00	44.00	370
DMS-T18	83.38	34.00	44.00	750
DMS20	44.75	41.13	57.50	575
DMS-T20	89.50	41.13	57.50	1200

Weight in pounds less motor and drives.
Dimensions are shown in inches.

Ceiling & Cabinet Exhausters

For more information on this product contact your sales support.



Intertek



Est. 1938

Belt and Direct Drive In-Line Centrifugals Models XB and XD

Models XD and XB are square in-line centrifugal fans designed to eliminate costly round to square ductwork transitions with the flexibility of any angle operation. XD is direct driven and XB is belt driven. Model XD is available in five sizes with capacities up to 5445 CFM and up to 1 3/4" static pressure. Model XB is available in eight sizes with capacities up to 28,332 CFM and up to 2 1/2" static pressure. AMCA "B" spark resistant construction is standard on both models. The XD is suitable for airstream temperatures up to 140°F and the XB up to 200°F.



Construction Features

Housing

- Heavy duty galvanized steel construction
- Removable side panels on both sides for easy access and serviceability
- Fully gasketed and bolted access panels provide weather protection

Centrifugal Wheel

- Aluminum construction with backward curved hollow airfoil blades
- Non-overloading design for safe operation
- Precision balanced for smooth vibration free operation

Bearings

- Permanently lubricated in Acme D.S. pillow block housing
- Bearings are resiliently mounted in neoprene rings
- Rated at L₅₀ life of 200,000 hours
- **5 year** limited warranty on Acme D.S. pillow block bearings
- Pillow block bearings are standard on XB425

Drive Assembly

- Located out of the airstream
- Cast iron drives sized for 150% of drive horsepower
- Static free, oil and heat resistant belts

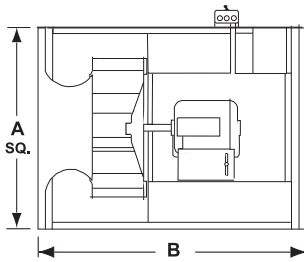
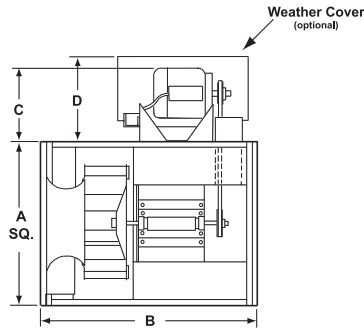
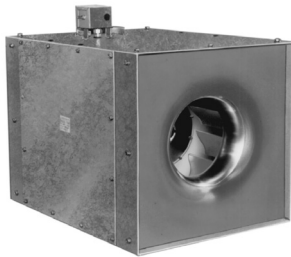
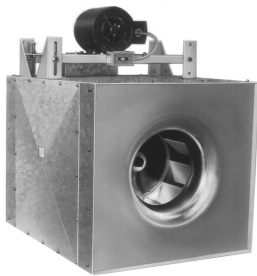
Motors

- Continuous duty motors located outside the airstream
- Prelubricated ball bearings

Options/Accessories

- Aluminum Housing
- Solid State Speed Controllers
- Dampers
- Coatings
- Guards/Covers
- Isolators
- Filter box
- Side Discharge Flange
- Insulated Housing

Inline Centrifugal Fans



DIMENSIONS

Fan Model	A	B	C Max.	D Max.
XB090	14.00	18.56	12.12	14.06
XB120	17.88	24.88	11.19	15.25
XB137	20.50	28.13	11.19	15.25
XB161	24.25	32.69	13.69	18.50
XB200	30.00	39.75	13.69	18.50
XB245	36.75	48.06	13.69	18.50
XB300	45.00	58.31	16.38	20.00
XB365	54.75	71.06	16.38	20.00
XB425	63.88	72.75	13.88	17.68
XD100	14.00	18.62	NA	NA
XD120	17.88	24.88	NA	NA
XD137	20.50	28.12	NA	NA
XD161	24.25	32.63	NA	NA
XD200	30.00	39.75	NA	NA

Dimensions are shown in inches.



Acme Engineering & Manufacturing Corporation certifies that the models shown herein are licensed to bear the AMCA seal. The ratings shown are based on tests and procedures performed in accordance with AMCA Publication 211 and AMCA Publication 311 and comply with the requirements of the AMCA Certified Ratings Program.



Consult your Acme representative for availability.

DIRECT DRIVE

PERFORMANCE DATA																												
Fan Model	RPM	HP	.000"		.125"		.250"		.375"		.500"		.625"		.750"		1.000"		1.250"		1.500"		1.750"		Max. BHP	Est. Ship Wt.		
			CFM	Sones	CFM	Sones	CFM	Sones	CFM	Sones	CFM	Sones	CFM	Sones	CFM	Sones	CFM	Sones	CFM	Sones	CFM	Sones	CFM	Sones			CFM	Sones
XD100	860	1/10	380	5.3	220	3.8																				.012	41	
	1050		460	7.0	350	5.6																						.022
	1300		570	9.4	480	8.0	380	7.5	230	9.6																		.042
	1550		680	12	610	11.0	530	10.0	430	10.0	290	9.2																.070
XD120-7	825	1/20	770	4.4	665	3.5																				.033	72	
	955		890	5.2	805	4.8	650	4.4																				.052
	1050		980	6.4	900	5.6	800	5.5	440	5.2																		.069
XD120F4	1750	1/3	1635	15	1590	15.0	1540	15.0	1490	14.0	1440	14.0	1375	14.0	1290	14.0	860	13.0								.322	86	
XD137B8	860	1/12	1022	6.5	822	6.2	618	5.7																		.060	114	
XD137E6	1160	1/4	1379	9.7	1230	9.7	1082	9.7	929	9.9	789	10.2														.150	116	
XD137H4	1750	3/4	2081	17.1	1982	16.9	1882	16.6	1784	16.0	1687	16.0	1586	15.5	1485	15.1	1282	14.9	1126	14.4						.530	130	
XD161D8	860	1/6	2040	8.6	1925	8.1	1770	7.6	1545	7.1	775	6.7														.184	150	
XD161G6	1160	1/2	2750	14	2670	13.0	2580	12.0	2475	12.0	2330	12.0	2170	12.0	1960	12.0										.452	171	
XD161K4	1750	1 1/2	4145	25	4095	25	4040	24	3960	23.0	3925	23	3865	22	3800	21	3630	21	3420	20	3200	19.0	2870	19.0	1.547	181		
XD200K6	1160	1 1/2	5445	16	5280	16.0	5115	16.0	4950	16.0	4780	15.0	4605	15.0	4425	15.0	4045	15.0	3190	15.0						1.295	279	

Outlet Velocity
 XD100: Outlet Velocity = CFM x 1.000
 XD120: Outlet Velocity = CFM x .571
 XD137: Outlet Velocity = CFM x .421
 XD161: Outlet Velocity = CFM x .291
 XD200: Outlet Velocity = CFM x .184

Performance certified is for Installation Type A: Free Inlet, Free Outlet. Performance ratings do not include the effects of appurtenances (accessories). The sound ratings shown are loudness values in hemispherical sones at 1.5 m (5ft) in a hemispherical free field calculated per AMCA Standard 301. Values are shown are for Installation Type A: Free Inlet hemispherical sones levels. Power rating (BHP) does not include transmission losses. The brake horsepower capability of an exhaustor motor is dependent on the degree of cooling the motor receives from the air moving through the motor. The above motor loadings do not overheat the motor and are in accordance with the motor manufacturer's recommendations. It is, therefore, not detrimental to the motor and economically desirable. Maximum RPM shown obtained with the standard one speed motor; for all other RPM's add solid state speed controller. Performance is based on actual speed of test.

BELT DRIVE

PERFORMANCE DATA																			
Fan Model	Min. Max. RPM	HP	Sones @ .125"	.125"	.250"	.375"	.500"	.625"	.750"	1.000"	1.250"	1.500"	1.750"	2.000"	2.250"	2.500"	Max. BHP	Est. Ship Wt.	
				CFM	CFM	CFM	CFM	CFM	CFM	CFM	CFM	CFM	CFM	CFM	CFM	CFM			CFM
XB090E1	1583	1/4	7.0	608	510	405	280										.07	48	
	2177		12.4	879	830	766	682	604	532	338							.18		
XB090E2	1847	1/4	9.2	730	663	568	479	382	254								.11	49	
	2492		15.6	1019	978	931	872	799	729	599	433						.27		
XB090F	1920	1/3	9.9	764	702	613	524	437	326								.12	56	
	2717		18.5	1118	1081	1041	993	936	867	742	619	463					.35		
XB090G	2333	1/2	13.9	949	904	850	780	701	630	480	274						.22	64	
	3196		25	1327	1296	1264	1229	1191	1147	1039	928	828	719	587	436		.56		
XB120E1	910	1/4	5.6	755	545												.06	105	
	1375		10.0	1225	1160	1090	645	965	645								.18		
XB120E2	1070	1/4	7.0	920	825	520											.09	106	
	1570		14.5	1415	1360	1305	1235	1135	930								.27		
XB120F	1140	1/3	7.3	995	910	730											.11	110	
	1725		15.9	1565	1515	1465	1410	1345	1250	760							.35		
XB120G	1400	1/2	11.7	1250	1190	1115	1010	740									.19	116	
	2060		21	1885	1845	1805	1760	1720	1670	1545	1285	740					.57		
XB120H	1590	3/4	15.0	1435	1380	1325	1260	1165	980								.27	124	
	2335		23	2145	2110	2075	2040	2005	1965	1880	1770	1580	1210	720			.81		
XB120J	1935	1	18.9	1765	1725	1680	1635	1585	1530	1350	875						.47	130	
	2570		27	2370	2340	2305	2275	2240	2210	2135	2055	1955	1800	1535	1075	680	1.07		
XB137F	930	1/3	7.0	1205	990	815											.12	136	
	1365		12.4	1920	1790	1635	1490	1380	1275								.34		
XB137G	1060	1/2	8.9	1430	1230	1075	885										.16	142	
	1605		14.5	2300	2195	2080	1945	1815	1705	1530	930						.54		
XB137H	1325	3/4	11.7	1860	1720	1560	1420	1310	1180								.31	146	
	1830		20	2645	2560	2465	2360	2240	2120	1930	1775	1500					.78		
XB137J	1400	1	13.2	1980	1850	1700	1555	1440	1345								.36	153	
	2060		23	3000	2920	2840	2755	2660	2555	2350	2180	2045	1895	1350			1.11		
XB137K	1675	1 1/2	15.3	2405	2310	2200	2075	1945	1830	1655	1395						.80	164	
	2310		26	3380	3310	3245	3170	3090	3010	2825	2640	2485	2355	2240	2090	1550	1.55		
XB137L	1955	2	20	2840	2760	2670	2575	2470	2360	2155	2000	1850	1435	745			.95	173	
	2490		29	3650	3590	3530	3460	3390	3320	3155	2980	2815	2675	2555	2445	2325	1.94		

Power rating (BHP) does not include transmission losses. Performance certified is for installation type A: Free inlet, free outlet. Performance ratings do not include the effects of appurtenances (accessories). The sound ratings shown are loudness values in hemispherical sones at 1.5 m (5ft) in a hemispherical free field calculated per AMCA Standard 301. Values are shown for Installation Type A: Free Inlet hemispherical fan sones levels. The brake horsepower capability of an exhaustor motor is dependent on the degree of cooling the motor receives from the air moving through the motor. The motor loading beyond the motor nameplate rating does not overheat the motor and is in accordance with the motor manufacturer's recommendations. It is, therefore, not detrimental to the motor and economically desirable.

Inline Centrifugal Fans



BELT DRIVE

Inline Centrifugal Fans

PERFORMANCE DATA																				
Fan Model	Min. Max. RPM	HP	Sones @ .125"	.125"	.250"	.375"	.500"	.625"	.750"	1.000"	1.250"	1.500"	1.750"	2.000"	2.250"	2.500"	Max. BHP	Est. Ship Wt.		
				CFM	CFM	CFM	CFM	CFM	CFM	CFM	CFM	CFM	CFM	CFM	CFM	CFM			CFM	
XB161F	695 1055	1/3	5.1 10.9	1500 2410	1235 2310	2170	2000	1770	970								.10 .35	182		
XB161G	825 1210	1/2	6.7 14.6	1840 2790	1660 2710	1410 2610	2485	2330	2165								.17 .53	188		
XB161H	930 1365	3/4	8.4 16.7	2100 3165	1970 3095	1780 3020	1500 2930	1815	2680	2375	1285						.24 .76	193		
XB161J	1070 1570	1	10.9 19.9	2450 3660	2350 3600	2220 3540	2045 3470	1840 3390	1140 3300	3070	2820	2160					1.37 1.14	199		
XB161K	1330 1710	1 1/2	16.2 26	3080 4000	3010 3940	2930 3885	2830 3825	2710 3760	2565 3690	2210 3510	3290	3055	2480	1445			.70 1.47	208		
XB161L	1405 1865	2	17.6 28	3265 4370	3195 4320	3120 4270	3035 4215	2930 4160	2805 4100	2525 3960	1715	3780	3580	3365	3030	2110	1155	.82 1.90	210	
XB161M	1735 2210	3	24 39	4060 5195	4005 5150	3950 5110	3890 5065	3826 5020	3755 4975	3585 4880	3370	4640	3145	4485	1720	4310	3950	1.53 3.16	227	
XB200H	670 985	3/4	7.0 14.4	2860 4430	2555 4235	2195 4035	3830	3610	3375	1890							.26 .80	288		
XB200J	730 1055	1	7.8 16.3	3165 4770	2890 4590	2600 4405	1960	4215	4020	3815	3160						.33 .98	294		
XB200K	860 1250	1 1/2	12.6 20	3815 5715	3590 5560	3355 5410	3105	5250	5095	4930	4590	4205	3155				1.64 1.64	304		
XB200L	1020 1410	2	15.3 25	4600 6485	4415 6350	4220 6215	4020	6080	5940	5800	5510	5210	4885	4380	3030		.89 2.34	299		
XB200M	1195 1525	3	19.5 31	5450 7035	5290 6910	5130 6785	4965	6660	6530	6400	6260	6140	5970	5290	4870	3765	2305	1.42 2.97	325	
XB200N	1570 1885	5	32 44	7250 8750	7130 8645	7005 8545	6885	8340	8240	8035	8035	8120	7825	5855	7610	5570	5240	4525	3.24 5.57	339
XB245H	440 645	3/4	5.5 10.9	3595 5600	2925 5315	2195	4550	2710									.22 .69	402		
XB245J	500 735	1	7.3 14.8	4195 6455	3790 6210	2115	5675	5295	4130								.32 1.01	407		
XB245K	590 855	1 1/2	9.3 17.2	5075 7585	4760 7375	4375	6940	6705	6435	5060							.52 1.58	416		
XB245L	665 965	2	11.7 21	5790 8610	5515 8425	5225	8045	7850	7645	7160	5095						.75 2.28	418		
XB245M	860 1100	3	17.6 29	7630 9865	7420 9700	7210	9540	9370	9205	9035	8680	8260	7600	5330			1.60 3.39	440		
XB245N	1050 1295	5	27 35	9400 11665	9230 11530	9055	11390	11250	11110	10970	10680	10385	10070	9700	9180	8055	5615	2.95 5.53	448	
XB300J	355 520	1	6.5 11.4	4735 7560	3640 7025	6375	5640	3835									.31 .96	608		
XB300K	410 595	1 1/2	7.4 13.8	5715 8780	4910 8340	3400	7255	6625	5560								.47 1.42	620		
XB300L	485 670	2	9.7 16.6	6980 9990	6380 9610	5660	8205	7665	5570								.77 2.01	622		
XB300M	610 775	3	14.6 20	9025 11660	8600 11340	8110	10640	10240	9800	8880	7470	3870					1.53 3.09	638		
XB300N	710 875	5	18.5 25	10603 13245	10270	9890	9470	8995	8505	7280	3715	10110	9080	6715			2.40 4.47	654		
XB300P	825 1010	7 1/2	22 32	15370 12455	12150	11840	11510	11155	10765	9925	8980	7060					3.75 6.85	719		
XB300R	925 1135	10	26 40	14030 17325	13765	13490	13210	12915	12600	11900	11150	10340	9150	6520	8630	5665	5.25 9.72	739		
XB365K	310 450	1 1/2	6.2 14.2	7615 11945	6265	11140	10280	9335	7785	3915							.54 1.63	865		
XB365L	365 505	2	8.8 16.1	9360 13580	8310	12885	12140	11360	10510	9300							.88 2.29	873		
XB365M	435 555	3	13.3 19.2	11495 15050	10655	14430	13770	13075	12360	11585	8705						1.48 3.03	891		
XB365N	550 675	5	18.6 25	14905 18545	14275	13610	12905	12185	11385	8225	13200	10210					2.96 5.47	894		
XB365P	620 760	7 1/2	22 30	16950 21000	16400	15830	15225	14600	13965	12530	9685						4.24 7.78	970		
XB365R	680 815	10	25 34	18690 22580	18190	17680	17150	16595	16025	14845	13430	10685	4860	16355	14600	11275	6155	5.59 9.60	990	
XB425K	255 380	1 1/2	5.2 12.4	9157 14928	7290	13891	12742	11493	9917								.50 1.68	1240		
XB425L	300 415	2	7.4 14.2	11301 16477	9862	15550	14537	13451	12263	10766							.83 2.19	1248		
XB425M	355 475	3	10.1 17.6	13811 19100	12674	18311	17473	16574	15629	14631	3.28						1.36 3.28	1266		
XB425N	445 565	5	15.6 24	17792 22987	16941	22335	21644	20961	20221	19448	17825	15963					2.66 5.62	1270		
XB425P	525 645	7 1/2	21 32	21265 26413	20559	19824	19046	18223	17368	15515	13026						4.34 8.21	1346		
XB425R	545 690	10	23 37	22127 28332	21449	20748	20009	19230	18416	16695	14589	10794	14659	17272	14659	16160	10392	4.95 10.05	1395	

Outlet Velocity = CFM x .291

Outlet Velocity = CFM x .184

Outlet Velocity = CFM x .119

Outlet Velocity = CFM x .082

Outlet Velocity = CFM x .054

Outlet Velocity = CFM x .038

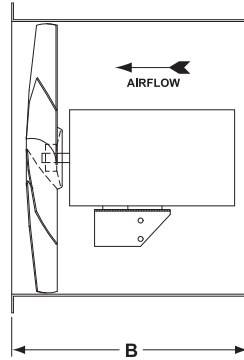
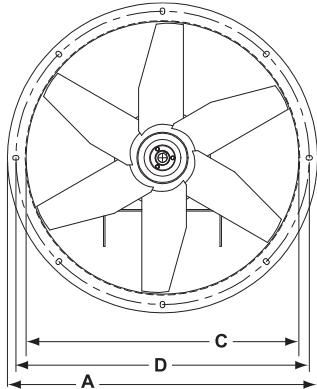
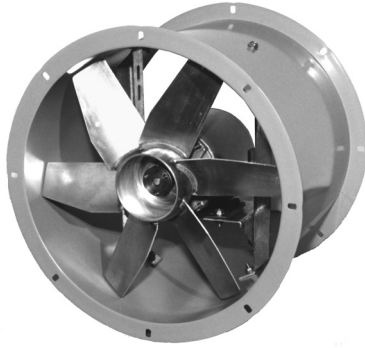
Power rating (BHP) does not include transmission losses. Performance certified is for installation type A: Free inlet, free outlet. Performance ratings do not include the effects of appurtenances (accessories). The sound ratings shown are loudness values in hemispherical sones at 1.5 m (5 ft) in a hemispherical free field calculated per AMCA Standard 301. Values are shown for Installation Type A: Free Inlet hemispherical sone levels. The brake horsepower capability of an exhaustor motor is dependent on the degree of cooling the motor receives from the air moving through the motor. The motor loading beyond the motor nameplate rating does not overheat the motor and is in accordance with the motor manufacturer's recommendations. It is, therefore, not detrimental to the motor and economically desirable.

For more information on this product contact your sales support.



Direct Drive Tubeaxial Fan Model HDD

Model HDD fan is a direct drive, tubeaxial exhauster with the motor in the airstream. Capacities up to 14,792 CFM and up to 3/4 inch static pressure. The compact design provides easy installation with ducted ventilation systems. The HDD is designed to operate in any position and is furnished with mounting flanges on both ends for easy installation.



For more information on this product contact your Sales Support.

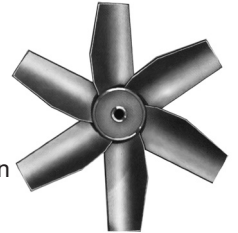
Construction Features

Housing

- Constructed of heavy gauge rolled steel
- Rolled flange at each end for ease of mounting
- Standard charcoal baked enamel finish provides a tough durable surface

Aluminum Propeller

- Heavy duty, all welded aluminum construction
- Precision balanced circular-arc blades for high airflow capacity
- Explosion proof switch separate when explosion proof motors are selected



Disconnect Switch

- All units are equipped with a factory wired disconnect switch

Motors

- Continuous duty motors located in the airstream
- Motors shipped mounted to the fan

Options/Accessories

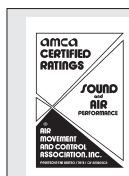
- Coatings
- 2 Speed Switch
- Solid State Speed Controller
- Companion Flange
- Mounting Base
- Guard

DIMENSIONS					
Fan Model	A	B	C	D	Est. Unit Wt.
HDD12	14.56	14.00	12.22	13.44	35
HDD16	18.50	14.00	16.10	17.50	47
HDD18	21.00	16.00	18.48	19.88	54
HDD21	23.88	16.00	21.25	22.56	66
HDD24	26.88	18.00	24.44	25.75	76
HDD30	33.64	21.00	30.60	32.25	98

Dimensions are shown in inches.

PERFORMANCE DATA											
Fan Model	HP	RPM	Max. BHP	Sones @ 0.0"	CFM vs. Static Pressure						
					.000"	.125"	.250"	.375"	.500"	.625"	.750"
HDD12E	1/4	1750	0.14	17.1	1627	1465	1182				
		1160	0.04	9.9	1079						
HDD16F	1/3	1750	0.36	22	2763	2595	2388				
		1160	0.10	14.9	1832	1530					
HDD18G	1/2	1750	0.52	25	3938	3724	3521	3323	3058		
		1160	0.14	14.1	2610	2299	1807				
HDD18H	3/4	1750	0.80	29	4670	4436	4198	3947	3653		
		1160	0.21	16.7	3095	2738	2266				
HDD21J	1	1750	1.10	27	6193	5970	5738	5489	5211	4891	4468
		1160	0.33	14.3	4105	3760	3341	2167			
HDD24J	1	1160	1.02	20	8555	8105	7613	6998			
HDD30M	3	1160	3.06	29	14792	14208	13624	13036	12419	11681	

Performance certified is for Installation Type A - Free Inlet, Free Outlet. The sound ratings shown are loudness values in hemispherical sones at 1.5 m (5ft) in a hemispherical free field calculated per AMCA Standard 301. Values shown are for Installation Type A: Free inlet hemispherical sone levels. Performance ratings do not include the effects of appurtenances (accessories).



Acme Engineering & Manufacturing Corporation certifies that the models shown herein are licensed to bear the AMCA seal. The ratings shown are based on tests and procedures performed in accordance with AMCA Publication 211 and AMCA Publication 311 and comply with the requirements of the AMCA Certified Ratings Program.



U.L. 705 Listed

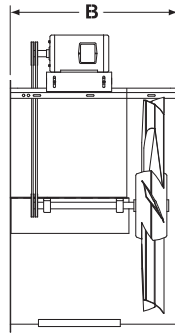
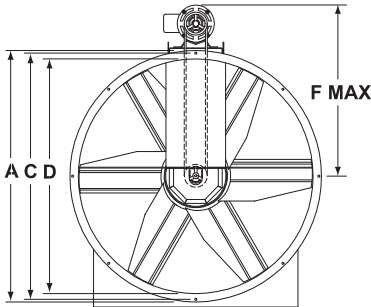
Consult your Acme representative for availability.



Est. 1938


Belt Drive Tubeaxial Fan Model HA

Model HA fan is a belt drive, tubeaxial exhauster with the motor, drives and bearings located outside the airstream. Capacities up to 63,845 CFM and up to 2 inch static pressure. The HA is designed to operate in any position and is furnished with mounting flanges on both ends for easy installation.




DIMENSIONS						
Fan Model	A	B	C	D	F Max.	Access Door
HA12	14.56	12.00	13.44	12.22	17.00	None
HA16	18.50	16.50	17.38	16.10	19.00	None
HA18	21.00	16.50	19.75	18.48	20.50	None
HA21	23.88	18.00	22.50	21.25	22.41	None
HA24	26.88	18.00	25.75	24.44	24.00	None
HA30	33.64	24.00	32.12	30.60	29.00	None
HA36	39.76	29.00	38.26	36.60	32.19	None
HA42	45.78	32.00	44.28	42.60	37.00	12.00 x 17.00
HA48	51.78	36.00	50.28	48.60	42.00	12.00 x 17.00
HA54	57.78	39.00	56.28	54.60	45.00	15.00 x 17.00
HA60	64.28	43.34	63.03	60.57	49.00	16.00 x 18.00

Dimensions are shown in inches.



Acme Engineering & Manufacturing Corporation certifies that the models shown herein are licensed to bear the AMCA seal. The ratings shown are based on tests and procedures performed in accordance with AMCA Publication 211 and AMCA Publication 311 and comply with the requirements of the AMCA Certified Ratings Program.



U.L. 705 Listed

Consult your Acme representative for availability.

Construction Features

Housing

- Constructed of heavy gauge rolled steel
- Rolled flange at each end for ease of mounting
- Standard charcoal baked enamel finish provides a tough durable surface
- Gasketed access door for servicing on model sizes 42" - 60"
- Streamlined belt and bearing enclosure eliminates turbulence and air drag

Aluminum Propeller

- Heavy duty, all welded aluminum construction standard on all sizes (except 54" and all sizes of the smoke exhaust construction which use a high grade steel)
- Circular-arc blades for high airflow capacity
- Precision balanced for smooth vibration free operation



Bearings

- Permanently lubricated in an Acme D.S. pillow block housing
- Bearings are resiliently mounted in neoprene rings
- Rated at L₅₀ life of 200,000 hours
- **5 year** limited warranty on Acme D.S. pillow block bearings
- Pillow block bearings are standard on HA60 and smoke exhaust construction

Drive Assembly

- Cast iron drives sized for 150% of drive horsepower
- Static free, oil and heat resistant belts

Motors

- Continuous duty motors located outside the airstream
- Motors shipped mounted to the fan

Options/Accessories

- Coatings
- Pillow Block Bearings
- Steel Propeller
- Mounting Base
- Companion Flange
- Weather Cover/Belt Guard
- Inlet Bell
- Inlet/Outlet Guards
- Belt Guard
- SE Option U.L. Listed "Power Ventilator for Smoke Control Systems"

Fan Model	RPM	Tip Speed	HP	CFM vs. Static Pressure												Max. BHP	Est. Fan Ship Wt. lbs.
				.000"		.125"		.250"		.375"		.500"		.625"			
				CFM	Sone	CFM	Sone	CFM	Sone	CFM	Sone	CFM	Sone	CFM	Sone		
HA12E	2090	6670	1/4	1780	24	1680	22	1560	21	1420	20					.25	48
HA12F	2320	7400	1/3	1970	30	1880	28	1790	26	1670	25	1520	25			.33	49
HA12G	2680	8540	1/2	2270	38	2200	36	2120	34	2030	33	1930	32	1800	31	.50	51
HA12H	3070	9780	3/4	2600	48	2540	46	2470	43	2400	41	2320	41	2230	40	.74	54
HA16E1	1570	6512	1/4	2413	21	2164	21	1814	22	993	22					.22	66
HA16E2	1800	7466	1/4	2766	25	2550	28	2286	28	1945	31	1114	28			.33	66
HA16F	1976	8196	1/3	3037	27	2840	27	2616	28	2339	30	1603	29			.43	67
HA16G	2267	9403	1/2	3484	36	3312	37	3141	38	2918	36	2668	35	2117	36	.65	69
HA16H	2600	10784	3/4	3996	44	3846	44	3697	49	3534	44	3336	42	3126	44	1.00	72
HA16J	2855	11842	1	4388	52	4252	53	4115	60	3979	55	3812	51	3632	51	1.29	73
HA18E	1375	6660	1/4	3230	20	2970	19	2700	22	2350	25					.28	71
HA18F	1510	7310	1/3	3550	21	3320	21	3060	22	2770	25	2350	26			.38	72
HA18G	1730	8380	1/2	4060	25	3860	24	3660	24	3440	28	3160	34	2850	31	.58	74
HA18H	1980	9580	3/4	4640	31	4460	30	4270	30	4080	30	3880	34	3650	38	.82	77
HA18J	2180	10550	1	5120	36	4960	35	4800	34	4640	35	4450	37	4250	40	1.09	78
HA18K	2495	12100	1 1/2	5860	44	5720	45	5580	43	5450	43	5300	44	5150	47	1.85	88
HA21F	1200	6680	1/3	4320	22	3959	21	3482	22	2113	23					.59	99
HA21G	1355	7540	1/2	4878	26	4559	24	4173	23	3595	24	2273	29	1714	27	.85	101
HA21H	1580	8790	3/4	5688	32	5414	31	5137	30	4760	28	4243	29	2937	32	1.26	104
HA21J	1730	9620	1	6228	41	5978	39	5728	38	5417	36	5074	34	4525	35	1.48	105
HA21K	1980	11000	1 1/2	7128	58	6909	59	6691	54	6472	49	6179	44	5879	42	1.86	115
HA24G	1090	6950	1/2	5900	20	5470	20	5000	22	4430	27					.54	111
HA24H	1250	7980	3/4	6750	28	6370	28	5950	29	5520	31	5000	34			.85	114
HA24J	1375	8770	1	7450	32	7100	30	6750	32	6360	34	5910	35	5400	41	1.08	115
HA24K	1570	10000	1 1/2	8500	41	8200	38	7900	41	7600	43	7250	44	6880	45	1.61	125
HA24L	1730	11040	2	9350	48	9050	47	8800	49	8520	49	8250	48	7950	48	2.30	134
HA24M	1980	12600	3	10660	55	10450	52	10220	52	9970	52	9720	50	9470	49	3.20	151
HA30H	856	6830	3/4	9100	22	8450	22	7750	23	6850	29	4400	28			.79	228
HA30J	942	7520	1	10000	26	9450	26	8800	26	8050	28	7050	34			1.06	229
HA30K	1078	8600	1 1/2	11500	33	11000	31	10450	30	9850	30	9100	35	8250	40	1.60	239
HA30L	1187	9480	2	12600	42	12200	44	11750	43	11250	43	10650	41	9950	46	2.11	248
HA30M	1358	10850	3	14450	55	14100	49	13700	48	13250	47	12800	48	12300	49	3.17	265
HA30N	1610	12860	5	17120	69	16790	64	16440	61	16070	60	15680	59	15290	59	5.60	279
HA36J	698	6670	1	12700	27	11800	26	10700	25	9200	25					1.05	274
HA36K	799	7640	1 1/2	14550	29	13750	28	12900	30	11900	33	10400	40	6800	39	1.59	284
HA36L	880	8410	2	16050	38	15300	34	14500	34	13700	35	12650	41	11300	46	2.12	293
HA36M	1007	9620	3	18350	56	17700	57	17000	53	16300	52	15500	54	14600	58	3.18	310
HA36N	1193	11400	5	21750	71	21200	66	20600	61	20100	58	19400	58	18800	57	5.30	324
HA42K	620	6900	1 1/2	17850	28	16700	30	15250	37	13300	37	9400	31			1.60	555
HA42L	683	7600	2	19650	30	18700	31	17250	34	15750	37	13700	36	9000	35	2.12	564
HA42M	781	8690	3	22500	35	21500	37	20400	38	19250	41	17900	47	16400	46	3.17	581
HA42N	926	10300	5	26650	56	25800	56	25000	56	24000	57	23000	58	22000	60	5.28	595
HA42P	1060	11800	7 1/2	30500	69	29800	69	29100	69	28300	69	27600	71	26700	73	8.50	646
HA42R	1170	12980	10	33550	82	32910	81	32240	81	31520	81	30780	83	30040	85	11.00	666
HA48K	498	6320	1 1/2	21300	30	19500	28	17400	26	14300	31					1.59	596
HA48L	548	6960	2	23400	37	21800	36	20000	34	17800	36	12500	37			2.11	600
HA48M	627	7960	3	26800	48	25400	45	23800	45	22200	47	20100	48	16400	48	3.16	643
HA48N	743	9430	5	31800	73	30600	68	29500	64	28000	65	26700	67	25000	66	5.26	653
HA48P	851	10800	7 1/2	36400	92	35300	89	34300	86	33200	82	32000	77	30700	74	8.50	713
HA48R	936	11900	10	40000	124	39200	120	38200	116	37200	111	36200	107	35000	100	11.00	746
HA54K	416	5881	1 1/2	24057	20	21721	17.9	18858	18.0	11669	19.7					1.69	631
HA54L	458	6475	2	26486	24	24383	22	22000	21	18616	21					2.29	640
HA54M	524	7408	3	30303	29	28478	28	26527	26	24223	26	21023	30	13199	30	3.42	659
HA54N	603	8525	5	34871	38	33293	35	31656	34	29879	34	27813	34	25144	35	6.10	682
HA54P	711	10052	7 1/2	41117	52	39782	50	38423	47	37009	45	35501	45	33838	46	9.09	728
HA54R	783	11069	10	45281	60	44070	57	42844	54	41586	51	40275	51	38882	51	12.00	774
HA54S	870	12299	15	50312	73	49223	72	48125	68	47009	67	45864	63	44675	63	15.40	828
HA60M	416	6535	3	32709	24	30145	23	27251	22	23184	22	12696	23	6949	24	3.56	765
HA60N	458	7194	5	36011	29	33696	27	31193	26	28140	26	23645	28	11793	28	4.71	779
HA60P	585	8231	7 1/2	45997	44	44198	42	42349	41	40388	39	38217	39	35642	38	8.14	830
HA60R	621	9755	10	48828	50	47134	47	45404	46	43595	44	41643	44	39446	44	10.73	850
HA60S	750	11781	15	58971	69	57571	69	56157	65	54715	62	53227	59	51669	60	16.82	861
HA60T	812	12755	20	63845	81	62553	77	61252	74	59931	73	58581	72	57187	71	20.59	873

Inline Axial Fans

Performance certified is for Installation Type B: Free inlet, Ducted outlet. Power rating (BHP) does not include transmission losses.
Performance ratings do not include the effects of appurtenances (accessories).
The sound ratings shown are loudness values in fan sones at 1.5 m (5 ft) in a hemispherical free field calculated per AMCA Standard 301.
Values shown are for Installation Type B: free inlet hemispherical sone levels.



Fan Model	RPM	Tip Speed	HP	CFM vs. Static Pressure												Max. BHP	Est. Fan Ship Wt. lbs.
				.750"		1.000"		1.250"		1.500"		1.750"		2.000"			
				CFM	Sone	CFM	Sone	CFM	Sone	CFM	Sone	CFM	Sone	CFM	Sone		
HA12E	2090	6670	1/4													.25	48
HA12F	2320	7400	1/3													.33	49
HA12G	2680	8540	1/2	1660	35											.50	51
HA12H	3070	9780	3/4	2130	39	1870	44									.74	54
HA16E1	1570	6512	1/4													.22	66
HA16E2	1800	7466	1/4													.33	66
HA16F	1976	8196	1/3													.43	67
HA16G	2267	9403	1/2	1520	35											.65	69
HA16H	2600	10784	3/4	2875	46	1712	47									1.00	72
HA16J	2855	11842	1	3440	53	2588	54	1785	57							1.29	73
HA18E	1375	6660	1/4													.28	71
HA18F	1510	7310	1/3													.38	72
HA18G	1730	8380	1/2	2000	32											.58	74
HA18H	1980	9580	3/4	3370	39											.82	77
HA18J	2180	10550	1	4050	44											1.09	78
HA18K	2495	12100	1 1/2	4980	50	4600	55	4160	58	3000	60					1.85	88
HA21F	1200	6680	1/3													.59	99
HA21G	1355	7540	1/2													.85	101
HA21H	1580	8790	3/4	2343	35											1.26	104
HA21J	1730	9620	1	3211	41											1.48	105
HA21K	1980	11000	1 1/2	5462	42	3559	48	2718	49							1.86	115
HA24G	1090	6950	1/2													.54	111
HA24H	1250	7980	3/4													.85	114
HA24J	1375	8770	1	4650	33											1.08	115
HA24K	1570	10000	1 1/2	6450	47											1.61	125
HA24L	1730	11040	2	7630	47	6900	50	5000	53							2.30	134
HA24M	1980	12600	3	9200	51	8600	58	7950	66	7000	68					3.20	151
HA30H	856	6830	3/4													.79	228
HA30J	942	7520	1													1.06	229
HA30K	1078	8600	1 1/2	6700	39											1.60	239
HA30L	1187	9480	2	9150	48											2.11	248
HA30M	1358	10850	3	11700	51	10250	55	6800	56							3.17	265
HA30N	1610	12860	5	14890	60	13980	65	13010	75	11800	78	8200	84			5.60	279
HA36J	698	6670	1													1.05	274
HA36K	799	7640	1 1/2													1.59	284
HA36L	880	8410	2	7800	46											2.12	293
HA36M	1007	9620	3	13500	63	8000	72									3.18	310
HA36N	1193	11400	5	18100	59	16450	67	14000	76	7800	78					5.30	324
HA42K	620	6900	1 1/2													1.60	555
HA42L	683	7600	2													2.12	564
HA42M	781	8690	3	13800	46											3.17	581
HA42N	926	10300	5	20750	63	17700	64									5.28	595
HA42P	1060	11800	7 1/2	25900	76	23800	81	21200	82	13000	85					8.50	646
HA42R	1170	12980	10	29260	87	27530	92	25670	96	23500	97	17500	107	11250	119	11.00	666
HA48K	498	6320	1 1/2													1.59	596
HA48L	548	6960	2													2.11	600
HA48M	627	7960	3													3.16	643
HA48N	743	9430	5	23000	69											5.26	653
HA48P	851	10800	7 1/2	29300	74	26000	77	16400	81							8.50	713
HA48R	936	11900	10	34000	97	31300	96	28000	99	18200	100	12000	106			11.00	746
HA54K	416	5881	1 1/2													1.69	631
HA54L	458	6475	2													2.29	640
HA54M	524	7408	3													3.42	659
HA54N	603	8779	5	20322	37	8598	38									6.10	682
HA54P	711	10052	7 1/2	31899	45	26443	52	12679	52							9.09	728
HA54R	783	11069	10	37367	51	33634	60	27732	60							12.00	774
HA54S	870	12299	15	43426	63	40639	63	37125	67							15.40	828
HA60M	416	6535	3													3.56	765
HA60N	458	7194	5	7831	27											4.71	779
HA60P	585	8231	7 1/2	32356	44	16589	46									8.14	830
HA60R	621	9755	10	36799	44	25072	51	13068	51							10.73	850
HA60S	750	11781	15	50011	59	46178	60	41081	71							16.82	861
HA60T	812	12755	20	55733	71	52549	71	48692	72							20.59	873

Performance certified is for Installation Type B: Free inlet, Ducted outlet. Power rating (BHP) does not include transmission losses.
 Performance ratings do not include the effects of appurtenances (accessories).
 The sound ratings shown are loudness values in fan sones at 1.5 m (5 ft) in a hemispherical free field calculated per AMCA Standard 301.
 Values shown are for Installation Type B: free inlet hemispherical sone levels.

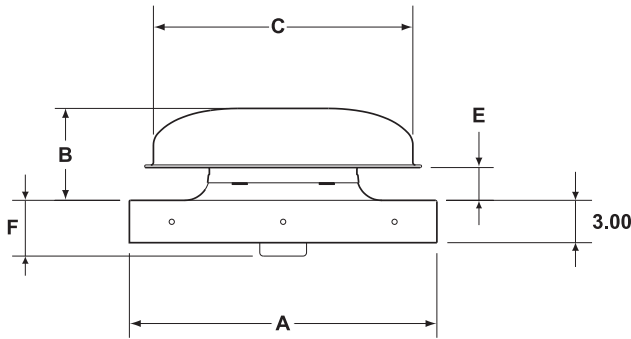
For more information on this product contact your sales support.



Est. 1938

Direct Drive Propeller Roof Fan Model LQ

Model LQ ventilators are direct drive propeller roof fans designed to deliver large volumes of air at high static pressure. LQ fans operate more quietly than conventional propeller roof ventilators and are recommended for applications requiring lower noise levels. The low silhouette of the LQ harmonizes with modern architectural design.



LQ EXHAUST DIMENSIONS									
Fan Model	A	B	C	E	F	Roof Opening*	Damper Model**	Curb Model	Damper Box Model
LQ10	22.00	6.61	18.63	2.36	4.41	17.50 x 17.50	AR14	C20.5	DB14LQ
LQ12	24.00	6.74	21.00	2.49	7.88	19.50 x 19.50	AR16	C22.5	DB16LQ
LQ14	26.00	8.10	24.00	3.35	8.06	21.50 x 21.50	AR18	C24.5	DB18LQ
LQ16	28.00	9.83	27.63	4.58	9.00	23.50 x 23.50	AR20	C26.5	DB20LQ
LQ18	31.00	10.76	31.60	5.01	7.42	26.50 x 26.50	AR23	C29.5	DB23LQ
LQ21	34.00	12.09	36.72	5.47	9.00	29.50 x 29.50	AR26	C32.5	DB26LQ
LQ24	38.00	13.70	41.38	5.20	11.25	33.50 x 33.50	AR30	C36.5	DB30LQ
LQ30	46.00	15.89	52.13	6.89	13.06	41.50 x 41.50	AR38	C44.5	DB38LQ
LQ36	52.50	19.00	62.38	8.13	12.75	48.00 x 48.00	AR44	C51	DB44LQ

Dimensions are shown in inches.

*Recommended maximum.

**Requires DB damper box.

LQ-S SUPPLY DIMENSIONS									
Fan Model	A	B	C	E	F	Roof Opening*	Damper Model**	Curb Model	Damper Box Model
LQ-S12	24.00	7.24	24.00	2.50	7.88	19.50 x 19.50	WAGC16	C22.5	DB16LQ
LQ-S14	26.00	9.41	27.63	4.16	8.06	21.50 x 21.50	WAGC18	C24.5	DB18LQ
LQ-S16	28.00	10.31	31.60	4.56	9.00	23.50 x 23.50	WAGC20	C26.5	DB20LQ
LQ-S18	31.00	11.84	36.00	5.22	10.66	26.50 x 26.50	WAGC23	C29.5	DB23LQ
LQ-S21	34.00	13.48	41.38	4.98	13.45	29.50 x 29.50	WAGC26	C32.5	DB26LQ
LQ-S24	38.00	13.70	41.38	5.20	11.25	33.50 x 33.50	WAGC30	C36.5	DB30LQ
LQ-S30	46.00	15.89	52.13	6.89	13.06	41.50 x 41.50	WAGC38	C44.5	DB38LQ
LQ-S36	52.50	18.67	62.00	9.67	12.81	48.00 x 48.00	WAGC44	C51	DB44LQ

Dimensions are shown in inches.

*Recommended maximum.

**Requires DB damper box.



Acme Engineering & Manufacturing Corporation certifies that the models shown herein are licensed to bear the AMCA seal. The ratings shown are based on tests and procedures performed in accordance with AMCA Publication 211 and AMCA Publication 311 and comply with the requirements of the AMCA Certified Ratings Program.

Construction Features

Housing

- Hood, orifice and curbcap constructed of heavy gauge aluminum
- Removable hood for easy access to motor and propeller
- Large streamlined orifice permits efficient, less turbulent airflow
- Rugged steel frame transmits weight of motor and propeller directly to curbcap
- Birdscreen constructed of heavy gauge galvanized steel wire mesh

Propeller

- Advanced tear-drop blade design for low noise performance with a minimum of air turbulence
- Constructed of aluminum blades fastened to a formed steel hub with heavy duty rivets
- Precision balanced for smooth vibration free operation

Motors

- Totally enclosed continuous duty type with lubricated sealed ball bearings
- Located in the full airstream for cooler operation and longer life under continuous duty

Finish

- Charcoal baked enamel finish is standard on all steel parts

Options/Accessories

- Prefabricated Curbs
- Dampers
- Damper Boxes
- Coatings
- Solid State Controllers not mounted or wired
- NEMA 3R disconnect not mounted or wired
- Hinge Kit

Propeller Roof Fans



Consult your Acme representative for availability.

EXHAUST VENTILATORS

PERFORMANCE DATA																				
Fan Model	RPM	Tip Speed Ft./Min.	HP	Sones @ .000" SP	CFM vs. Static Pressure														Max. BHP	Est. Ship Wt. lbs.
					.000"	.125"	.250"	.375"	.500"	.625"	.750"	.875"	1.000"	1.125"	1.250"	1.500"	1.750"	2.000"		
LQ108LO	1500	3925	.03	4.4	540	440	225												*111	19
LQ108HI	1650	4320	.03	7.1	590	505	295	185											*111	19
LQ12A6	1160	3590	.05	5.5	840	685	475	270	135										.054	38
LQ129LO	1350	4180	.11	6.7	975	845	695	500	335	210									.084	26
LQ129HI	1550	4795	.11	9.7	1120	1005	885	740	565	415	310	200							.128	26
LQ12D4	1760	5445	.17	11.3	1275	1180	1070	955	820	665	520	420	325	235	155				.187	40
LQ14C6	1160	4150	.13	9.7	1310	1155	890	640	420										.105	49
LQ14E4	1760	6295	.25	15.4	1655	1565	1465	1360	1205	1000	895	790	685	590	485				.242	49
LQ14F4	1760	6295	.33	13.5	2000	1900	1790	1670	1510	1250	1080	950	800	670	540				.366	47
LQ16D8-1	860	3560	.17	6.1	1360	1115	635	350											.071	55
LQ16D8-2	860	3560	.17	5.1	1525	1245	820	480											.092	55
LQ16C6	1160	4800	.13	11.1	1840	1670	1470	1050	770	570	370								.175	55
LQ16D6	1160	4800	.17	8.8	2050	1870	1650	1290	980	730	530								.225	57
LQ16F4	1760	7280	.33	21	2290	2200	2100	1980	1830	1580	1390	1270	1150	1030	910	710			.512	53
LQ16G4	1760	7280	.50	18.4	2790	2680	2570	2470	2320	2140	1700	1540	1360	1180	1060	800			.610	63
LQ16H4	1760	7280	.75	16.9	3160	3010	2870	2740	2600	2440	2130	1930	1750	1550	1350	1020			.783	67
LQ18D8	860	4080	.17	6.3	1940	1620	1230	850	490										.106	67
LQ18D8	860	4080	.17	7.0	2400	2080	1670	1110	640										.178	67
LQ18E6	1160	5505	.25	11.2	2620	2390	2140	1880	1530	1270	1020	810	550						.259	65
LQ18G6	1160	5505	.50	11.7	3240	3000	2760	2540	2000	1660	1310	920	700						.436	79
LQ18H4	1760	8350	.75	18.3	3970	3810	3650	3500	3340	3200	3030	2840	2580	2390	2190	1840	1530	1250	.905	79
LQ18J4	1760	8350	1.00	18.7	4340	4190	4030	3870	3720	3560	3380	3160	2870	2620	2420	2040	1670	1310	1.085	83
LQ18K4	1760	8350	1.50	23	4920	4780	4620	4460	4300	4120	3960	3820	3680	3120	2820	2420	1940	1460	1.530	84
LQ21D8	860	4690	.17	8.4	2820	2510	1790	1480	1000										.190	149
LQ21E8	860	4690	.25	8.1	3220	2760	2080	1550	1150										.252	151
LQ21F8	860	4690	.33	9.0	3570	3120	2400	2050	1460										.331	161
LQ21G6-1	1160	6325	.50	12.8	3800	3520	3230	2780	2230	1950	1780	1490	1000						.468	161
LQ21G6-2	1160	6325	.50	13.1	4350	4050	3720	3260	2650	2240	2020	1680	1110						.620	161
LQ21H6	1160	6325	.75	13.5	4820	4540	4160	3700	3100	2800	2750	2140	1400						.818	165
LQ21K4	1760	9595	1.50	26	5760	5580	5400	5210	5020	4830	4610	4300	3940	3460	3180	2880	2670	2250	1.635	166
LQ21L4	1760	9595	2.00	25	6540	6370	6170	5960	5750	5540	5270	4830	4410	4100	3800	3280	3000	2590	2.160	165
LQ24E8	860	5430	.25	7.6	3570	3175	2475	2010	1650										.285	172
LQ24H6	1160	7325	.75	14.1	4700	4450	3980	3400	2980	2660	2380	2080	1670	1210					.700	186
LQ24J6	1160	7325	1.00	16.9	5560	5280	4960	4600	4200	3740	3390	3130	2860	2530	2040				.997	208
LQ30H8	860	6700	.75	19.1	7180	6780	6220	5400	4450	3970	3570	3060	2440						.837	292
LQ30J8	860	6700	1.00	14.5	9060	8520	8000	7400	6350	5300	4980	4500	3880	3120	2230				1.213	303
LQ30L6	1160	9035	2.00	27	9450	9160	8820	8450	7970	7330	6400	5900	5580	5270	4950	4280	3500	2300	2.070	336
LQ30M6	1160	9035	3.00	25	12000	11620	11230	10800	10400	9960	9510	8550	7620	7120	6790	6200	5510	4650	2.850	342
LQ36K8	860	8020	1.50	21	11150	10530	9870	8950	7430	6600	6300	5900	5300						1.860	409
LQ36L8	860	8020	2.00	17.9	14100	13500	12800	12100	11000	9300	8600	8200	7700	7000	5900				2.420	415

*Watts

Performance certified is for installation Type A - Free inlet, Free outlet. Performance ratings include the effects of a birdscreen. The sound level ratings shown are loudness values in hemispherical sones at 1.5 m (5 ft) in a hemispherical free field calculated per AMCA Standard 301. Values shown are for Installation Type A: Free Inlet hemispherical sone levels. The brake horsepower capability of a fan motor is dependent of the degree of cooling the motor receives from the moving airstream over the motor. The above motor loadings do not overheat the motor and are within NEMA recommended limits. It is therefore not detrimental to the motor and is economically desirable.

Propeller Roof Fans

SUPPLY VENTILATORS

PERFORMANCE DATA																		
Fan Model	RPM	Tip Speed Ft./ Min.	HP	Sones @ .000" SP	CFM vs. Static Pressure												Max. BHP	Est. Ship Wt. lbs.
					.000"	.100"	.125"	.250"	.375"	.500"	.625"	.750"	.875"	1.000"	1.125"	1.250"		
LQ-S12A6	1160	3590	.05	5.8	920	550	465										.050	49
LQ-S12D4	1760	5445	.17	11.9	1395	1240	1180	835									.176	51
LQ-S14B6	1160	4150	.08	7.1	1075	840	740										.059	52
LQ-S14E4	1760	6295	.25	14.5	1630	1500	1460	1235	875								.210	57
LQ-S16C6	1160	4800	.13	9.4	1790	1440	1405										.135	68
LQ-S16D6	1160	4800	.17	11.8	1965	1440											.178	70
LQ-S16F4	1760	7280	.33	17.8	2310	2240	2210	1790	1510	1205							.402	66
LQ-S16G4	1760	7280	.50	18.3	2720	2530	2475	2100	1595								.476	76
LQ-S16H4	1760	7280	.75	21	2980	2690	2625										.705	76
LQ-S18D8	860	4080	.17	9.1	2175	1725	1620	995									.206	139
LQ-S18E6	1160	5505	.25	12.4	2655	2410	2350	2000	1605								.320	137
LQ-S18J4	1760	8350	1.00	23	4030	3860	3820	3615	3390	3160	2915	2665	2415	2150	1885	1620	1.130	155
LQ-S18K4	1760	8350	1.50	34	4450	4240	4180	3920	3640	3340	3010	2690	2490	2200			1.760	156
LQ-S21D8	860	4690	.17	8.6	2585	2245	2155	1745	1335								.216	161
LQ-S21F8	860	4690	.33	10.4	3140	2745	2625	2000	1190								.350	173
LQ-S21G6	1160	6325	.50	14.1	3485	3240	3175	2850	2530	2250	1950	1580	1075				.530	173
LQ-S21H6	1160	6325	.75	19.3	4235	3925	3850	3430	3000	2535	1990	1055					.850	177
LQ-S21K4	1760	9595	1.50	32	5270	5145	5110	4945	4755	4520	4150	3580	3280	3090	2945	2800	1.675	178
LQ-S24F8	860	5430	.33	11.5	3750	3420	3330	2840	2275								.384	183
LQ-S24H6	1160	7325	.75	20	5030	4790	4720	4360	3950	3580	3210	2800					.897	187
LQ-S24J6	1160	7325	1.00	21	5550	5240	5160	4760	4360	3970	3570	3140					1.173	209
LQ-S30J8	860	6700	1.00	19.4	6870	6400	6280	5660	4980	4120	3170						1.070	301
LQ-S30K8	860	6700	1.50	19.7	8040	7460	7320	6620	5800	4350	3470	2280					1.570	334
LQ-S30L6	1160	9035	2.00	30	9380	9070	9000	8590	8130	7690	7140	6550					2.380	334
LQ-S30M6	1160	9035	3.00	34	10700	10270	10180	9750	9420	9110	8480	7690	6750	5260			3.490	340
LQ-S36L8	860	8020	2.00	21	10550	10000	9870	9190	8500	7800	7080	6340	5530	4690			2.170	409
LQ-S36M8	860	8020	3.00	26	13500	12980	12850	12120	11380	10570	9740	8830	7900	6920	5830	4600	3.490	426

Performance certified is for installation Type A - Free inlet, Free outlet. Performance ratings include the effects of a birdscreen. The sound level ratings shown are loudness values in hemispherical sones at 1.5 m (5 ft) in a hemispherical free field calculated per AMCA Standard 301. Values shown are for Installation Type A: Free outlet hemispherical sone levels. The brake horsepower capability of a fan motor is dependent of the degree of cooling the motor receives from the moving airstream over the motor. The motor loading beyond the motor nameplate rating does not overheat the motor and is within NEMA recommended limits. It is therefore not detrimental to the motor and is economically desirable.

For more information on this product contact your sales support.

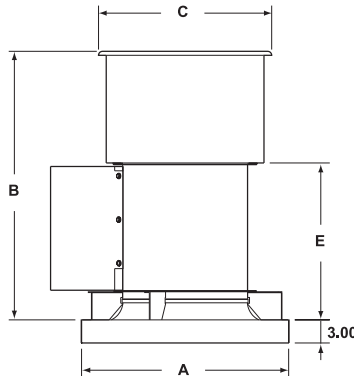




Est. 1938

Belt Drive Tubeaxial Roof Exhauster Model UBH

Model UBH belt drive tubeaxial exhausters are ideally suited for roof exhaust applications that require the motor, drives and bearing located out of the airstream. The high velocity upblast discharge of the UBH disperses air high above the buildings roof. Capacities up to 61,236 CFM and up to 1 1/4 inch static pressure. UBH exhausters can operate continuously in air stream temperatures up to 200°F.



DIMENSIONS

Fan Model	A	B	C	E	Roof Opening*	Curb Model
UBH16	27.00	34.89	22.50	20.39	22.5 x 22.5	C25.5
UBH18	31.00	36.38	24.50	20.88	26.5 x 26.5	C29.5
UBH24	38.00	40.75	30.00	20.75	33.5 x 33.5	C36.5
UBH30	46.00	54.25	37.50	29.25	41.5 x 41.5	C44.5
UBH36	52.50	64.88	45.00	28.38	48 x 48	C51
UBH42	60.00	67.38	52.50	35.00	55.5 x 55.5	C58.5
UBH48	64.00	74.75	60.00	37.50	59.5 x 59.5	C62.5
UBH54	67.00	84.88	67.50	43.63	62.5 x 62.5	C65.5
UBH60	75.00	94.30	75.00	47.80	70.5 x 70.5	C73.5

Dimensions are shown in inches.

*Recommended maximum



Acme Engineering & Manufacturing Corporation certifies that the models shown herein are licensed to bear the AMCA Seal. The ratings shown are based on tests and procedures performed in accordance with AMCA Publication 211 and AMCA Publication 311 and comply with the requirements of the AMCA Certified Ratings Program.



U.L. 705 Listed

Consult your Acme representative for availability.

Construction Features

Housing

- Constructed of heavy gauge steel with charcoal baked enamel
- Rolled flange at each end for structural strength and rigidity

Windband

- Constructed of heavy gauge steel with rolled flange
- Cross channel member provides lateral rigidity and open position stop for butterfly dampers

Butterfly Dampers

- Constructed of heavy gauge aluminum
- Stainless steel hinge pins and nylon bearings provide quiet, low friction operation
- Dampers open and close against rubber bumpers for quiet operation
- Water trough under damper hinge provides drainage for rain, melting snow and ice
- Magnetic latches hold dampers closed when exhauster not in use

Aluminum Propeller

- Constructed of welded heavy gauge aluminum
- High efficiency circular arc airfoil blade design
- Precision balanced for smooth vibration free operation
- Heavy gauge steel propeller standard on UBH54

Bearings

- Permanently lubricated in an Acme D.S. split pillow block housing
- Bearings are resiliently mounted in neoprene rings
- Rated at L₅₀ life of 200,000 hours
- **5 year** limited warranty on Acme D.S. pillow block bearings
- Pillow block bearings standard on UBH60

Drive Assembly

- Cast iron drives sized for 150% of drive horsepower
- Static free, oil and heat resistant belts

Motor

- Continuous duty motors by nationally recognized manufacturers
- Prelubricated ball bearings requiring minimum maintenance

Belt & Bearing Enclosure

- Streamline enclosure virtually eliminates turbulence and air drag
- Bearings are ventilated with outside air for longer life

Motor Cover

- Heavy gauge steel cover protects motor and drive from adverse weather

Options/Accessories

- Roof Curbs
- Disconnect Switches
- Inlet/Outlet Guard
- Coatings
- Fusible Heat Release Damper Link
- SE Option U.L. Listed "Power Ventilator for Smoke Control Systems"

PERFORMANCE DATA															
Fan Model	HP	RPM	Tip Speed	Max. Sones	CFM vs. Static Pressure								Max. BHP	Est. Ship Wts. lbs.	
					.000"	.125"	.250"	.375"	.500"	.625"	.750"	1.000"			1.250"
UBH16E	1/4	1800	7568	24	2273	2070	1794							.27	124
UBH16F	1/3	1976	8308	28	2495	2310	2081	1757						.36	130
UBH16G	1/2	2267	9532	32	2862	2702	2530	2304	2000					.54	132
UBH16H	3/4	2600	10931	42	3283	3142	3002	2829	2631	2365	2064			.81	134
UBH16J	1	2855	12004	48	3604	3477	3349	3217	3038	2854	2604	2074		1.08	138
UBH18F	1/3	1510	7214	23	3118	2862	2552							.37	140
UBH18G	1/2	1730	8266	27	3573	3349	3103	2795						.54	144
UBH18H	3/4	1980	9460	34	4089	3893	3697	3456	3171	2670				.81	148
UBH18J	1	2180	10416	38	4502	4324	4146	3950	3722	3437	2995			1.09	152
UBH18K	1 1/2	2495	11921	47	5153	4997	4842	4686	4506	4308	4105	3316	2605	1.63	156
UBH24G	1/2	1090	6950	19.2	5488	4976	4292							0.50	367
UBH24H	3/4	1250	7980	28	6294	5852	5327	4624						0.75	372
UBH24J	1	1375	8770	36	6923	6521	6072	5549	4780					1.00	379
UBH24K	1 1/2	1600	10200	45	8056	7711	7365	6939	6496	5866	4875			1.53	388
UBH24L	2	1730	11040	53	8711	8391	8072	7706	7306	6835	6252	4633		2.00	399
UBH24M	3	1945	12400	64	9793	9509	9225	8941	8589	8233	7850	6765		2.83	410
UBH30H	3/4	856	6830	21	8820	8300								.75	568
UBH30J	1	942	7520	27	9740	9260	8360							1.00	574
UBH30K	1 1/2	1078	8600	38	11110	10400	9750	8850	7650					1.50	583
UBH30L	2	1187	9480	45	12130	11580	10920	10160	9340	7920				1.95	596
UBH30M	3	1358	10850	53	14000	13610	13040	12410	11720	11030	10080			3.00	607
UBH30N	5	1644	13140	71	16946	16519	16085	15639	15171	14671	14129	12842		5.30	615
UBH36J	1	698	6670	27	12500	11230								1.07	805
UBH36K	1 1/2	799	7640	31	14310	13230	11840							1.60	812
UBH36L	2	880	8410	37	15770	14850	13600	12080						2.14	823
UBH36M	3	1007	9620	61	18040	17230	16200	15090	13660	11990				3.20	832
UBH36N	5	1193	11400	71	21380	20700	19950	19100	18160	16940	15810	12230		5.33	840
UBH42K	1 1/2	620	6900	28	18330	16870	15160							1.73	1046
UBH42L	2	683	7600	32	20190	18900	17510	15750						2.30	1049
UBH42M	3	781	8690	47	23070	21960	20740	19300	17710	14760				3.43	1058
UBH42N	5	926	10300	54	27860	26390	25450	24420	23230	21950	20580			5.73	1073
UBH42P	7 1/2	1060	11800	77	31400	30580	29740	28910	28030	26500	25870	23320		8.66	1148
UBH42R	10	1170	13025	95	34584	33779	32974	32169	31364	30463	29546	27651		10.91	1178
UBH48K	1 1/2	498	6320	30	22115	20400								1.48	1366
UBH48L	2	548	6960	36	24330	22830	20570							1.96	1375
UBH48M	3	627	7960	55	27840	26500	24930	22660	19390					2.94	1384
UBH48N	5	743	9430	68	33000	31930	30740	29240	27300	24770	21780			4.90	1394
UBH48P	7 1/2	851	10800	78	37770	36890	35870	34670	33310	31770	29720	24600		7.36	1475
UBH48R	10	936	11900	92	41580	40800	39860	38730	37790	36470	34970	31400		9.80	1506
UBH54K	1 1/2	416	5881	21	23074	20424	17140							1.71	1566
UBH54L	2	458	6475	25	25403	23014	20325	16254						2.30	1575
UBH54M	3	524	7408	30	29064	26989	24793	22144	18038					3.41	1584
UBH54N	5	621	8779	40	34444	32700	30910	29003	26788	23991				5.76	1594
UBH54P	7 1/2	711	10052	53	39436	37916	36373	34780	33088	31186	28907			8.56	1676
UBH54R	10	783	11069	61	43430	42050	40657	39234	37761	36198	34463	30122		11.55	1706
UBH54S	15	870	12299	73	48255	47014	45765	44500	43207	41873	40472	37262	33186	15.85	1766
UBH60M	3	432	6786	28	32579	29779	26713	22539						3.24	1952
UBH60N	5	510	8011	36	38416	36104	33652	30906	27359					5.31	2072
UBH60P	7 1/2	590	9268	45	44494	42462	40387	38210	35793	32848				8.15	2175
UBH60R	10	640	10053	54	48265	46393	44494	42532	40447	38096	35275			10.43	2218
UBH60S	15	750	11781	69	56560	54965	53358	51724	50047	48300	46432	41960	35497	16.73	2395
UBH60T	20	812	12755	82	61236	59763	58282	56784	55258	53691	52061	48432	43912	21.39	2455

Performance certified is for Installation Type A: Free Inlet, Free Outlet.
 Performance ratings do not include the effects of appurtenances (accessories).
 Power rating (BHP) does not include transmission losses.
 The sound ratings shown are loudness values in hemispherical sones at 1.5 m (5 ft) in a hemispherical free field calculated per AMCA Standard 301.
 Values shown are for installation Type A: Free Inlet hemispherical sone levels.

High Temperature Construction Features	Option SE
Hi-Temperature Bearings	•
Copper Lubrication Lines	•
Dual Heat Resistant Belts	•
Heat Slinger	•
Steel Propeller	•
Motor Outside Airstream	•
Ventilated Belt and Bearing Enclosure	•
Fusible Link Damper Lifters	•
Fusible Link Damper Lifters Capable of Lifting 10 lbs./sq. ft., meets UL793	•
UL Listed "Power Ventilator for Smoke Control Systems"	•

For more information on this product contact your sales support.





Direct Drive Upblast Roof Exhauster Model UD

Model UD low silhouette direct drive upblast exhausters are ideally suited for moving large volumes of air at low static pressures. Capacities up to 25,130 CFM and up to 1/2 inch static pressure. The UD is designed to discharge air up and away from the building. Typical applications include all types of commercial, and industrial facilities such as warehouses, foundries, mills and manufacturing plants.



Construction Features

Windband

- Constructed of heavy gauge steel with a rolled flange for extra strength
- Channel cross tie member provides lateral rigidity

Butterfly Dampers

- Constructed of heavy gauge aluminum
- Stainless steel hinge pins and nylon bearings provide quiet, low friction operation
- Dampers open and close against rubber bumpers for quiet operation
- Magnetic latches ensure positive closure and prevent damper chatter
- Water trough under damper hinge provides drainage for rain, melting snow and ice

Aluminum Propeller

- Constructed of welded heavy gauge aluminum
- High efficiency circular arc airfoil blade design
- Precision balanced for smooth vibration free operation

Housing

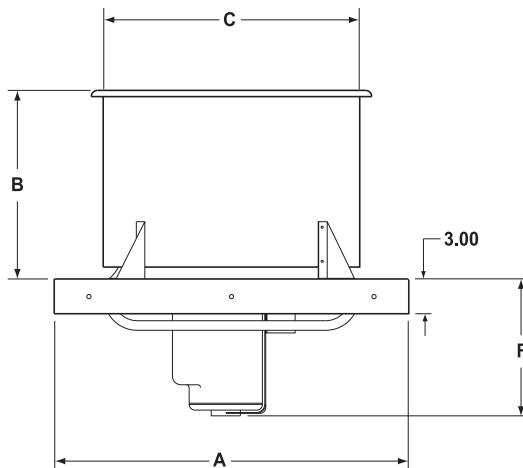
- Heavy gauge steel base with deep drawn orifice
- Steel structural frame carries the weight of motor, fan and drive assembly on sizes 42" and 48"

Motor

- Continuous duty motors by nationally recognized manufacturers

Options/Accessories

- Roof Curbs
- Disconnect Switches
- Outlet Guard
- Coatings
- Fusible Heat Release Damper Link
- Aluminum Windband and Housing




DIMENSIONS


Fan Model	A	B	C	F	Roof Opening*	Curb Model
UD18	31.00	16.50	22.50	12.00	26.5 x 26.5	C29.5
UD21	34.00	19.00	26.25	14.25	29.5 x 29.5	C32.5
UD24	38.00	21.00	30.00	14.88	33.5 x 33.5	C36.5
UD30	46.00	26.25	37.50	16.38	41.5 x 41.5	C44.5
UD36	52.50	31.50	45.00	15.25	48 x 48	C51
UD42	60.00	36.00	52.50	19.50	55.5 x 55.5	C58.5
UD48	64.00	38.00	60.00	19.50	59.5 x 59.5	C62.5

Dimensions are shown in inches.

*Recommended maximum



Acme Engineering & Manufacturing Corporation certifies that the models shown herein are licensed to bear the AMCA Seal. The ratings shown are based on tests and procedures performed in accordance with AMCA Publication 211 and AMCA Publication 311 and comply with the requirements of the AMCA Certified Ratings Program.



U.L. 705 Listed

Consult your Acme representative for availability.

Propeller Roof Fans

PERFORMANCE DATA												
Fan Model	HP	RPM	Tip Speed	Max. Sones	CFM vs. Static Pressure						Max. BHP	Ship Wts.
					.000"	.100"	.125"	.250"	.375"	.500"		lbs.
UD18C6	1/8	1160	5460	14	2730						.14	111
UD18D6	1/6	1160	5460	14	3020	2560					.19	124
UD18E4	1/4	1760	8290	26	3250	3100	3050	2730			.30	111
UD18F4	1/3	1760	8290	23	3760	3540	3490	3100			.40	114
UD18G4	1/2	1760	8290	27	4290	4120	4060	3720			.59	122
UD21F6	1/3	1160	6370	19	4520	4110	3980				.37	173
UD21G4	1/2	1760	9670	28	5230	4990	4920	4580			.58	163
UD21H4	3/4	1760	9670	29	6160	5870	5800	5420			.88	161
UD21J4	1	1760	9670	31	6530	6270	6190	5810			1.04	199
UD24G6	1/2	1160	7280	20	6230	5760	5630	4880			.54	243
UD24H6	3/4	1160	7280	23	7180	6680	6530	5680			.81	266
UD24J4	1	1760	11050	37	7790	7530	7480	7100			1.13	266
UD24K4	1 1/2	1760	11050	39	9230	8890	8800	8370			1.68	271
UD24L4	2	1760	11050	39	10340	10000	9940	9500			2.26	276
UD30H8	3/4	860	6750	20	9920	9040	8820	7380			.77	375
UD30J8	1	860	6750	23	10880	9980	9740	8330			1.07	375
UD30H6	3/4	1160	9110	39	9240	8750	8620	7970			.78	365
UD30J6	1	1160	9110	29	10660	10100	9960	9200			1.04	370
UD30K6	1 1/2	1160	9110	37	13100	12390	12220	11370			1.72	375
UD30L6	2	1160	9110	38	14400	13700	13500	12610			2.24	424
UD36J8	1	860	8100	32	13980	13080	12800	11500			1.15	541
UD36K8	1 1/2	860	8100	33	16600	15650	15400	14040			1.70	548
UD36L8	2	860	8100	36	18490	17400	17130	15600			2.23	555
UD36L6	2	1160	10930	44	17000	16370	16200	15250			2.09	541
UD36M6	3	1160	10930	53	20390	19700	19530	18600			3.13	555
UD42K8	1 1/2	860	9460	35	17000	15900	15700	14200			1.72	616
UD42L8	2	860	9460	33	18600	17400	17100	15600			2.03	626
UD42M8	3	860	9460	43	23300	22100	21800	20400			3.43	636
UD48K8	1 1/2	860	10810	36	16870	15380	15040	13440	11830	10270	1.61	654
UD48L8	2	860	10810	39	19860	18610	18290	16610	14860	13080	2.02	664
UD48M8	3	860	10810	41	25130	23950	23660	22140	20520	18702	3.04	674

Performance certified is for Installation Type A: Free Inlet, Free Outlet. Performance ratings do not include the effects of appurtenances (accessories). Speed (RPM) shown is nominal. Performance is based on actual speed of test. The brake horsepower capability of an exhaustor motor is dependent on the degree of cooling the motor receives from the air moving through the motor. The above motor loadings do not overheat the motor and are in accordance with the motor manufacturer's recommendations. It is, therefore, not detrimental to the motor and economically desirable. The sound ratings shown are loudness values in hemispherical sones at 1.5 m (5 ft) in a hemispherical free field calculated per AMCA Standard 301. Values shown are for Installation Type A: Free Inlet hemispherical sone levels.

Propeller Roof Fans

For more information on this product contact your sales support.

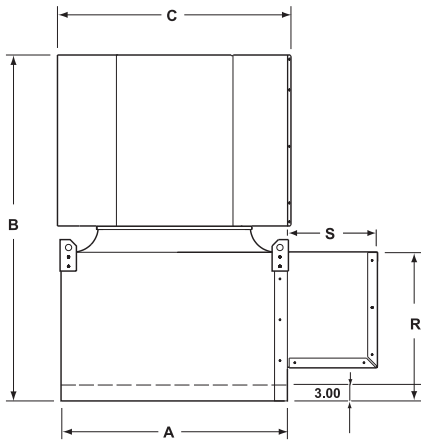




Est. 1938

Belt Drive Propeller Roof Exhauster Model UBGMX

Model UBGMX belt drive exhausters feature the motor out of the airstream for ease of servicing and inspection. A removable motor cover allows quick and easy access to the motor, belt and drives without removing the fan. Capacities up to 78,842 CFM and up to 3/4 inch static pressure. The UBGMX is a high velocity exhauster designed to discharge air up and away from the building. The UBGMX can operate continuously in airstream temperatures up to 200°F.



DIMENSIONS

Model Size	A	B	C	R	S	Roof Opening*	Est. Unit Wt.	Est. Ship Wt.	Curb Model
UBGMX24	36.00	55.06	37.18	23.71	14.21	31.50 x 31.50	312	401	C34.5
UBGMX30	42.00	62.01	43.17	24.65	14.20	37.50 x 37.50	427	528	C40.5
UBGMX36	48.00	63.50	49.14	24.65	14.38	43.50 x 43.50	530	674	C46.5
UBGMX42	54.00	67.02	56.45	28.30	15.76	49.50 x 49.50	601	744	C52.5
UBGMX48	60.00	74.03	62.40	29.18	16.56	55.50 x 55.50	781	954	C58.5
UBGMX54	66.00	86.40	69.68	33.73	18.71	61.50 x 61.50	965	1157	C64.5
UBGMX60	72.00	91.65	79.46	33.73	18.79	67.50 x 67.50	1065	1264	C70.5
UBGMX72	90.00	102.40	95.68	39.17	21.78	85.50 x 85.50	1343	1675	C88.5

Dimensions are shown in inches.

Weights are shown in pounds.

*Recommended maximum.

Construction Features

Windband

- Constructed of heavy gauge galvanized steel with a die formed flange for extra strength
- Channel cross tie member provides lateral rigidity
- Removable panels for easy access to fan and dampers

Butterfly Dampers

- Constructed of heavy gauge aluminum
- Stainless steel hinge pins and nylon bearings provide quiet, low friction operation
- Dampers open and close against rubber bumpers for quiet operation
- Water trough under damper hinge provides drainage for rain, melting snow and ice

Aluminum Propeller

- Constructed of welded heavy gauge aluminum
- High efficiency circular arc airfoil blade design
- Precision balanced for smooth vibration free operation

Housing

- Heavy gauge galvanized steel base with deep drawn orifice
- Lifting eyes for ease of handling

Bearings

- Permanently lubricated in a duplex split pillow block housing
- Bearings are resiliently mounted in neoprene rings
- Rated at L₅₀ life of 200,000 hours
- **5 year** limited warranty on Acme D.S. pillow block bearings
- Pillow block bearings are standard on UBGMX72

Drive Assembly

- Cast iron drives sized for 150% of drive horsepower
- Static free, oil and heat resistant belts
- Variable speed drives standard for 5 HP and smaller
- Fixed pitch drives for 7 1/2, 10, and 15 HP

Motor

- Continuous duty motors by nationally recognized manufacturers
- Pre-lubricated ball bearings requiring minimum maintenance

Options/Accessories

- Roof Curbs
- Disconnect Switches
- Outlet Guard
- Coatings
- Fusible Link Damper Lifters
- Magnetic Damper Latches
- Belt Guard
- SE Option U.L. Listed "Power Ventilators for Smoke Control Systems"

Propeller Roof Fans



Acme Engineering & Manufacturing Corporation certifies that the models shown herein are licensed to bear the AMCA Seal. The ratings shown are based on tests and procedures performed in accordance with AMCA Publication 211 and AMCA Publication 311 and comply with the requirements of the AMCA Certified Ratings Program.



U.L. 705 Listed

Consult your Acme representative for availability.

PERFORMANCE DATA																	
Fan Model	RPM	CFM vs. Static Pressure															
		.000"		.125"		.250"		.375"		.500"		.625"		.750"		1.000"	
		Sone	BHP	Sone	BHP	Sone	BHP	Sone	BHP	Sone	BHP	Sone	BHP	Sone	BHP	Sone	BHP
UBGMX24	781	4715	0.35	4166	0.36									1/3 HP	1/2 HP	3/4 HP	1 HP
	897	5416	0.53	4971	0.55	3864	0.51										
	1027	6200	0.80	5824	0.82	5303	0.82										
	1130	6822	1.07	6484	1.08	6076	1.09	5281	1.07								
UBGMX30	629	7309	0.52	6281	0.54								1/2 HP	3/4 HP	1 HP	1 1/2 HP	2 HP
	720	8366	0.78	7557	0.81												
	792	9203	1.04	8492	1.07	7180	1.09										
	907	10539	1.57	9935	1.60	9144	1.63										
	998	11596	2.09	11053	2.12	10416	2.14	9348	2.16								
UBGMX36	525	11214	0.78	9556	0.81								3/4 HP	1 HP	1 1/2 HP	2 HP	3 HP
	578	12346	1.04	10956	1.08												
	662	14140	1.57	12991	1.61	10977	1.64										
	728	15550	2.09	14525	2.13	13101	2.18										
	834	17814	3.15	16934	3.19	15909	3.25	14246	3.30	9332	2.86						
UBGMX42	452	15425	1.03	12282	1.09								1 HP	1 1/2 HP	2 HP	3 HP	5 HP
	518	17677	1.55	15110	1.62												
	570	19452	2.07	17176	2.17	13869	2.14										
	652	22250	3.09	20302	3.21	17950	3.29	14380	3.12	11811	3.26						
	773	26379	5.16	24757	5.30	22992	5.43	20815	5.47	17736	5.24	15149	5.25	13337	5.58		
UBGMX48	413	21355	1.53	17356	1.63								1 1/2 HP	2 HP	3 HP	5 HP	
	454	23475	2.03	19959	2.15												
	520	26888	3.06	23901	3.20	19996	3.25										
	616	31852	5.09	29372	5.27	26602	5.40	22751	5.40	17193	5.43						
	705	36454	7.60	34302	7.84	32018	8.02	29376	8.12	25710	8.08	20563	8.08	17637	8.46		7 1/2 HP
UBGMX54	374	27417	2.03	22493	2.16								2 HP	3 HP	5 HP		
	428	31375	3.05	27242	3.22	20771	3.22										
	507	37166	5.07	33761	5.29	29755	5.40	22907	5.34								
	581	42591	7.60	39648	7.89	36444	8.08	32440	8.10	25817	8.03	21024	8.40				7 1/2 HP
	639	46843	10.16	44177	10.44	41361	10.68	38146	10.81	33863	10.79	27411	10.71	23264	11.10		10 HP
UBGMX60	360	36221	3.08	30668	3.26									3 HP	5 HP		
	426	42861	5.10	38323	5.30	32586	5.40										
	488	49099	7.67	45189	7.96	40793	8.15	34516	8.13	25988	8.24						7 1/2 HP
	537	54029	10.23	50495	10.54	46686	10.70	42077	10.89	34729	10.76	27836	11.00	24327	11.70		10 HP
UBGMX72	266	46093	3.07	36622	3.27									3 HP	5 HP		
	315	54583	5.10	47070	5.30	34659	5.37										
	361	62554	7.69	56147	8.04	48207	8.19	34558	8.17								7 1/2 HP
	397	68792	10.22	63019	10.62	56433	10.87	46332	10.79	34907	11.12						10 HP
	455	78842	15.39	73846	15.86	68488	16.23	62107	16.40	52336	16.23	41703	16.52	36304	17.60		15 HP

Variable speed range shown by arrows. Shaded lines represent fixed speed for 7 1/2 HP, 10 and 15 HP. Performance shown is for Installation Type A: Free Inlet, Free Outlet. Performance ratings include the effects of the damper. Power rating (BHP) does not include transmission losses. The sound ratings shown are loudness values in fan sones at 5 feet (1.524 m) in a hemispherical free field calculated per AMCA Standard 301. Values shown are for Installation Type A: Free Inlet hemispherical sone levels. The brake horsepower capability of an exhaustor motor is dependent on the degree of cooling the motor receives from the air moving through the motor. The motor loading beyond the motor nameplate rating does not overheat the motor and is in accordance with the motor manufacturer's recommendations. It is therefore not detrimental to the motor and is economically desirable.

For more information on this product contact your sales support.



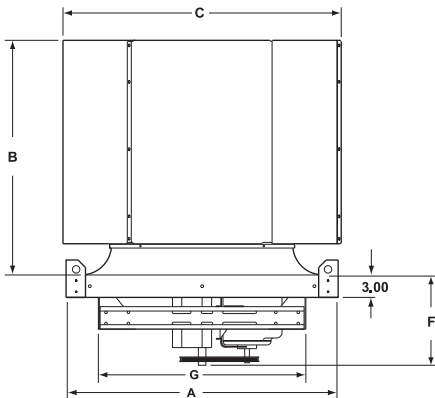
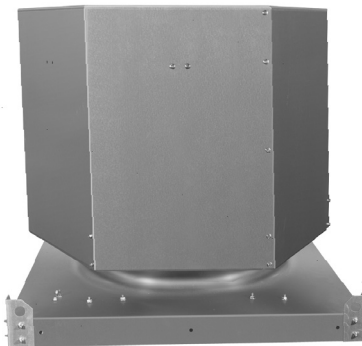
Propeller Roof Fans



Est. 1938

Belt Drive Upblast Roof Exhauster Model UBG

Model UBG low silhouette belt drive exhausters are ideally suited for moving large volumes of air. Capacities up to 83,373 CFM and up to 3/4 inch static pressure. The UBG is a high velocity exhauster designed to discharge air up and away from the building. The UBG can operate continuously in temperatures up to 200°F. Typical applications include all types of commercial and industrial facilities such as warehouses, foundries, mills, and manufacturing plants.



DIMENSIONS									
Fan Model	A	B	C	F	G	Roof Opening*	Est. Unit Wt.	Est. Ship Wt.	Curb Model
UBG24	36.00	31.40	37.18	12.07	27.72	31.5 x 31.5	157	245	C34.5
UBG30	42.00	38.08	43.14	13.95	34.25	37.5 x 37.5	230	332	C40.5
UBG36	48.00	39.37	49.12	13.95	41.89	43.5 x 43.5	273	396	C46.5
UBG42	54.00	38.49	56.11	14.59	47.65	49.5 x 49.5	326	452	C52.5
UBG48	60.00	45.72	62.21	20.45	53.65	55.5 x 55.5	473	602	C58.5
UBG54	66.00	52.96	69.31	22.07	59.73	61.5 x 61.5	612	744	C64.5
UBG60	72.00	58.09	79.15	22.03	65.84	67.5 x 67.5	674	824	C70.5
UBG72	90.00	63.25	95.68	29.34	79.61	85.5 x 85.5	828	1125	C88.5

Dimensions are shown in inches.
Weights are shown in pounds.
*Recommended maximum.

Construction Features

Windband

- Constructed of heavy gauge galvanized steel with die formed flange for extra strength
- Channel cross tie member provides lateral rigidity
- Removable panels for easy access to fan and dampers

Butterfly Dampers

- Constructed of heavy gauge aluminum
- Stainless steel hinge pins and nylon bearings provide quiet, low friction operation
- Dampers open and close against rubber bumpers for quiet operation
- Water trough under damper hinge provides drainage for rain, melting snow and ice

Aluminum Propeller

- Constructed of welded heavy gauge aluminum
- High efficiency circular arc airfoil blade design
- Precision balanced for smooth vibration free operation

Housing

- Heavy gauge galvanized steel base with deep drawn orifice
- Lifting eyes for ease of handling

Bearings

- Permanently lubricated in an Acme D.S. pillow block housing
- Bearings are resiliently mounted in neoprene rings
- Rated at L₅₀ life of 200,000 hours
- **5 year** limited warranty on Acme D.S. pillow block bearings
- Pillow block bearings are standard on UBG72

Drive Assembly

- Cast iron drives sized for 150% of drive horsepower
- Static free, oil and heat resistant belts
- Variable speed drives standard for 5 HP and smaller
- Fixed pitch drives for 7 1/2, 10, and 15 HP

Motor

- Continuous duty motors by nationally recognized manufacturers
- Prelubricated ball bearings requiring minimum maintenance

Options/Accessories

- Roof Curbs
- Disconnect Switches
- Outlet Guard
- Coatings
- Fusible Heat Release Damper Link
- Magnetic Latches

Propeller Roof Fans



Acme Engineering & Manufacturing Corporation certifies that the models shown herein are licensed to bear the AMCA Seal. The ratings shown are based on tests and procedures performed in accordance with AMCA Publication 211 and AMCA Publication 311 and comply with the requirements of the AMCA Certified Ratings Program.



U.L. 705 Listed

Consult your Acme representative for availability.

PERFORMANCE DATA																
Fan Model	RPM	CFM vs. Static Pressure														
		.000"		.125"		.250"		.375"		.500"		.625"		.750"		
		Sone	BHP	Sone	BHP	Sone	BHP	Sone	BHP	Sone	BHP	Sone	BHP	Sone	BHP	
UBG24	745	5059		3769												
		13.5	0.30	13.5	0.31							1/3 HP				
	780	5296		4175												
		14.7	0.35	14.6	0.36							1/2 HP	3/4 HP			
	896	6084		5175												
		17.3	0.53	17.1	0.54										1 HP	
1025	6960		6222													
	20	0.79	19.7	0.81												
1128	7659		6998		6145											
	24	1.05	24	1.08	24	1.08										
UBG30	593	8109		6543												
		15.8	0.48	16.0	0.51						1/2 HP					
	608	8314		6795												
		16.6	0.51	16.8	0.55							3/4 HP				
	696	9517		8238												
		19.5	0.77	19.2	0.82								1 HP	1 1/2 HP		
	729	9968		8766												
		21	0.88	21	0.94											
766	10474		9351													
	24	1.02	22	1.08											2 HP	
877	11992		11038		9896											
	27	1.53	27	1.61	26	1.65										
965	13195		12328		11339		9762									
	31	2.04	31	2.12	31	2.18	34	2.16								
UBG36	503	11784		9343												
		16.8	0.64	16.7	0.70											
	523	12253		9958												
		24	0.72	21	0.78							3/4 HP				
	529	12393		10133												
		23	0.74	22	0.81								1 HP			
	582	13635		11650												
		22	0.99	22	1.06									1 1/2 HP	2 HP	
644	15087		13375													
	23	1.34	22	1.42											3 HP	
667	15626		14004		11605											
	24	1.49	24	1.58	24	1.62										
733	17172		15711		13890											
	28	1.97	28	2.07	28	2.16										
839	19656		18379		16924		15022									
	34	2.96	34	3.07	34	3.18	34	3.24								
UBG42	406	15263		12295												
		15.2	0.70	14.9	0.79							1 HP				
	447	16804		14152												
		18.1	0.94	17.8	1.04								1 1/2 HP			
	500	18797		16480		13882										
		23	1.31	22	1.42	22	1.51							2 HP		
	512	19248		16999		14462										
		23	1.41	22	1.52	23	1.61									
563	21165		19160		16871											
	27	1.87	26	2.00	27	2.11										
639	24022		22256		20319		18285									
	32	2.73	33	2.88	32	3.02	34	3.13						3 HP		
645	24248		22498		20585		18571									
	32	2.81	34	2.96	33	3.10	34	3.21							5 HP	
764	28721		27244		25750		24054		22354		20648					
	44	4.67	44	4.85	50	5.03	51	5.18	46	5.31	43	5.42				

Variable speed range shown by arrows. Performance certified is for Installation Type A: Free Inlet, Free Outlet. Performance ratings include the effects of the damper. Power rating (BHP) does not include transmission losses. The sound ratings shown are loudness values in hemispherical zones at 1.5 m (5 ft) in a hemispherical free field calculated per AMCA Standard 301. Values shown are for Installation Type A: Free Inlet hemispherical zone levels. Brake horsepower capability of an exhaustor motor is dependent on the degree of cooling the motor receives from the air moving through the motor. Motor loading beyond the motor nameplate rating does not overheat the motor and is in accordance with the motor manufacturer's recommendations. It is therefore not detrimental to the motor and is economically desirable.

Propeller Roof Fans



PERFORMANCE DATA															
Fan Model	RPM	CFM vs. Static Pressure													
		.000"		.125"		.250"		.375"		.500"		.625"		.750"	
		Sone	BHP	Sone	BHP	Sone	BHP	Sone	BHP	Sone	BHP	Sone	BHP	Sone	BHP
UBG48	409	21976		18492											
		21	1.31	21	1.45										
	420	22567		19177						1 1/2 HP					
		22	1.42	22	1.57						2 HP				
	462	24824		21753		18275							3 HP		
		26	1.89	25	2.06	26	2.18								
	524	28155		25464		22649									
		32	2.76	32	2.98	30	3.10								
	530	28477		25818		23061									
32		2.86	32	3.08	30	3.20							5 HP		
583	31325		28908		26438		23619								
	38	3.80	38	4.05	35	4.20	36	4.35							
628	33743		31500		29218		26788								
	44	4.75	44	5.02	40	5.21	40	5.35							
719	38633		36673		34704		32690		30504		27583				
	53	7.13	53	7.43	53	7.71	49	7.87	52	8.05	55	8.15	7 1/2 HP		
UBG54	346	24877		20434											
		21	1.41	21	1.54					2 HP					
	388	27897		24016											
		25	1.99	24	2.16										
	414	29767		26190		21882									
		27	2.42	26	2.59	27	2.66								
	444	31924		28659		24831									
		31	2.98	29	3.17	30	3.27								
	487	35015		32139		28697		24718							
36		3.94	36	4.14	34	4.30	34	4.31							
526	37819		35165		32037		28686								
	39	4.96	39	5.18	37	5.41	37	5.46							
603	43356		41040		38487		35713		32696						
	52	7.47	52	7.72	47	7.98	48	8.17	48	8.23		7 1/2 HP			
664	47742		45639		43461		40918		38428		35553				
	59	9.97	59	10.25	59	10.53	53	10.83	57	10.92	58	11.01	10 HP		
UBG60	322	33408		27995											
		22	2.09	22	2.27										
	362	37558		32901		25971									
		27	2.97	27	3.19	27	3.19								
	414	42953		38881		34284									
		32	4.45	32	4.70	31	4.88								
	429	44509		40580		36228									
36		4.95	34	5.21	34	5.41									
491	50941		47509		44040		39884								
	47	7.41	44	7.71	44	8.01	44	8.18				7 1/2 HP			
541	56129		53013		49898		46367		42292						
	52	9.91	52	10.24	48	10.58	48	10.82	48	10.97		10 HP			
UBG72	207	37195													
		14	1.27							3 HP					
	275	49413		41808											
		24	2.98	24	3.29										
	322	57858		51360		43496									
		32	4.79	32	5.21	31	5.52								
	368	66124		60386		54633		46908							
40		7.15	40	7.68	40	7.95	39	8.25				7 1/2 HP			
406	72952		67723		62678		56237		49707						
	47	9.60	47	10.22	47	10.55	46	10.98	45	10.89		10 HP			
464	83373		78777		74343		69799		63709		57978				
	59	14.32	59	15.07	59	15.57	58	15.87	58	16.45	58	16.42	58 15.57		

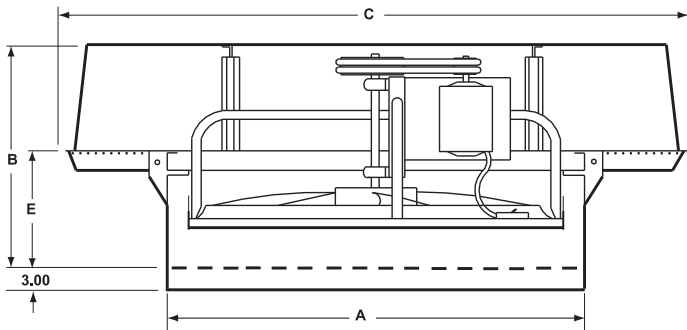
Variable speed range shown by arrows. Shaded lines represent fixed speed for 7 1/2 HP, 10 HP and 15 HP. Performance certified is for Installation Type A: Free Inlet, Free Outlet. Performance ratings include the effects of the damper. Power rating (BHP) does not include transmission losses. The sound ratings shown are loudness values in fan sones at 1.5 m (5 ft) in a hemispherical free field calculated per AMCA Standard 301. Values shown are for Installation Type A: Free Inlet hemispherical sone levels. Brake horsepower capability of an exhaustor motor is dependent on the degree of cooling the motor receives from the air moving through the motor. Motor loading beyond the motor nameplate rating does not overheat the motor and is in accordance with the motor manufacturer's recommendations. It is therefore not detrimental to the motor and is economically desirable.

For more information on this product contact your sales support.



Belt Drive Propeller Roof Ventilators Models EC and ECH

Models EC and ECH are low silhouette belt drive propeller fans for exhaust or supply ventilation. Capacities up to 74,200 CFM and up to 7/8 inch static pressure. EC and ECH fans are designed for high capacity general ventilation. Typical applications include a wide range of commercial, industrial, and institutional facilities such as schools, hospitals, prisons, and assembly areas.



DIMENSIONS									
Fan Model	A	B	B ■	C	C ■	E	Roof Opening*	Damper Model	Curb Model
ECH24	34.00	24.00	24.00	48.00	58.00	12.97	29.5 x 29.5	AR28	C32.5
EC30	40.00	24.25	25.75	58.00	68.00	13.75	35.5 x 35.5	AR34	C38.5
EC36	46.00	27.00	29.00	68.00	79.00	15.00	41.5 x 41.5	AR40	C44.5
ECH36	46.00	27.00	29.00	68.00	79.00	15.00	41.5 x 41.5	AR40	C44.5
EC42	54.00	28.50	33.50	79.00	90.00	17.50	49.5 x 49.5	AR48	C52.5
ECH42	54.00	31.00	33.50	79.00	90.00	17.50	49.5 x 49.5	AR48	C52.5
EC48	60.00	36.00	38.00	90.00	100.00	20.00	55.5 x 55.5	AR54	C58.5
ECH48	60.00	36.00	38.00	90.00	100.00	20.00	55.5 x 55.5	AR54	C58.5
ECH54	68.00	40.50	42.50	100.00	112.00	22.50	63.5 x 63.5	AR62	C66.5
ECH60	76.00	45.00	49.00	112.00	134.00	25.00	71.5 x 71.5	ARH70	C74.5
ECH72	88.00	54.00	N/A	134.00	N/A	30.00	83.5 x 83.5	ARH82	C86.5

■ For Supply Units with Filter Frames.
Dimensions are shown in inches.
*Recommended maximum.

Construction Features

Housing

- Hood and framework constructed of heavy gauge aluminum
- Bolted-on hood provides easy access to motor drive compartment
- Large hood provides full perimeter opening for efficient air flow and weather protection
- Steel fasteners are zinc dichromate plated
- Welded tubular steel frame supports motor, propeller and drive assembly
- Heavy gauge galvanized wire birdscreen

Aluminum Propeller

- All welded heavy gauge aluminum propeller
- Non-overloading design for safe operation
- Precision balanced for smooth vibration free operation

Disconnect Switch

- Mounted over knock-out in orifice plate allowing convenient wiring to power source
- Explosion proof switch separate when explosion proof motors are selected.

Bearings

- Permanently lubricated in an Acme D.S. pillow block housing
- Bearings are resiliently mounted in neoprene rings
- Rated at L₅₀ life of 200,000 hours
- **5 year** limited warranty on Acme D.S. pillow block bearings
- Pillow block bearings are standard on ECH72



Drive Assembly

- Cast iron drives sized for 150% of drive horsepower
- Static free, oil and heat resistant belts

Motors

- Continuous duty motors located in the airstream for cooler operation and longer life under continuous duty

Options/Accessories

- Roof Curbs
- Dampers
- Coatings
- Filters, vertical and horizontal
- Steel propeller

Propeller Roof Fans



Acme Engineering & Manufacturing Corporation certifies that the models shown herein are licensed to bear the AMCA seal. The ratings shown are based on tests and procedures performed in accordance with AMCA Publication 211 and AMCA Publication 311 and comply with the requirements of the AMCA Certified Ratings Program.



U.L. 705 Listed

Consult your Acme representative for availability.

EXHAUST VENTILATORS

MODEL NO.	HP	RPM	MAX BHP	LICENSED CFM & SONES vs. STATIC PRESSURE																EST. SHIP WT. LBS.		
				0"		.100"		.125"		.250"		.375"		.500"		.625"		.750"			.875"	
				CFM	SONES	CFM	SONES	CFM	SONES	CFM	SONES	CFM	SONES	CFM	SONES	CFM	SONES	CFM	SONES		CFM	SONES
ECH24F	1/3	950	.39	4950	15.2	4480	15.2	4350	15.2	3460	16.4	2610	18.2									196
ECH24G	1/2	1091	.59	5680	19.2	5280	19.1	5180	19.1	4550	19.7	3610	25									203
ECH24H	3/4	1248	.87	6500	24	6150	24	6060	24	5570	24	4930	25	4070	32	3500	30					206
ECH24J	1	1374	1.15	7160	27	6840	27	6760	27	6340	27	5830	28	5150	29	4380	37	3880	35			214
EC30E	1/4	451	.34	6005	14.0	4643	6.9	4353	7.5	2574	9.0											237
EC30F	1/3	495	.40	6594	17.0	5317	7.6	5048	8.4	3392	10.3	1275	9.8									240
EC30G	1/2	569	.60	7583	24	6487	8.9	6195	9.7	4998	12.5	3453	11.8	1380	11.1							245
EC30H	3/4	651	.98	8679	35	7738	9.2	7483	9.7	6368	12.0	5301	13.8	3879	12.4	2066	12.3					250
EC30J	1	716	1.27	9547	45	8700	10.0	8473	10.5	7386	12.9	6455	15.5	5233	16.5	4123	17.4	2363	16.5	758	13.0	256
EC36E	1/4	370	.26	7760	9.4	5810	9.1	5230	9.6													297
EC36F	1/3	431	.41	9040	11.3	7440	11.0	6990	11.6	4190	9.2											300
EC36G	1/2	495	.62	10380	14.6	9010	14.3	8640	14.1	6450	14.2	3880	10.8									307
EC36H	3/4	575	.97	12060	17.6	10890	18.5	10580	17.3	8940	18.5	6780	15.8	4650	15.2							311
EC36J	1	634	1.33	13300	21	12240	19.1	11970	20	10540	19.0	8830	22	6760	18.4							318
ECH36K	1 1/2	782	1.62	13670	25	12970	25	12790	25	11780	26	10550	28	9270	42	7990	38					411
ECH36L	2	861	2.16	15050	29	14410	29	14250	30	13380	30	12350	34	11190	41	10040	47	8880	38			427
ECH36M	3	987	3.24	17250	38	16700	38	16560	38	15830	38	15030	42	14100	47	13090	48	12080	47	11090	53	439
EC42F	1/3	342	.41	11400	8.5	8950	8.0	7800	8.5	3800	8.4											400
EC42G	1/2	385	.59	12820	10.7	10740	9.9	10170	10.0	6550	10.7											407
EC42H	3/4	442	.89	14720	14.2	12930	12.3	12460	12.3	9730	16.1	6420	13.2									411
EC42J	1	485	1.18	16150	15.5	14530	14.4	14110	14.2	11810	16.0	8780	16.5	5540	14.0							418
ECH42K	1 1/2	605	1.64	16690	18.8	15630	18.8	15350	18.9	13710	19.1	11790	26	9880	25							524
ECH42L	2	666	2.18	18380	22	17420	22	17170	22	15780	22	14100	23	12360	30	10580	26					521
ECH42M	3	763	3.27	21050	25	20220	26	20010	26	18880	27	17560	30	16060	32	14530	37	13040	35	11340	33	534
ECH42N	5	904	5.37	24940	36	24240	36	24070	35	23160	34	22170	36	21050	38	19810	43	18530	46	17240	52	548
EC48G	1/2	308	.59	15310	9.4	12300	10.6	11440	10.0	6160	8.7											556
EC48H	3/4	354	.89	17600	12.4	15030	12.6	14340	12.9	10010	11.6											560
EC48J	1	382	1.13	18990	15.5	16620	14.6	16000	14.2	12330	15.4	7980	12.7									567
ECH48K	1 1/2	485	1.62	18399	17.5	16896	18.5	16511	18.8	14534	21	12452	19.0									652
ECH48L	2	532	2.14	20178	21	18817	22	18470	22	16694	23	14841	29	12899	26							663
ECH48	3	611	3.25	23202	28	22016	26	21716	26	20186	29	18610	31	16982	30	15297	27	13550	27			669
ECH48N	5	723	5.33	27446	33	26447	33	26195	34	24918	34	23615	34	22283	36	20921	42	19526	44	18095	43	683
ECH54J	1	347	1.08	20500	11.8	18000	13.9	17200	14.1	12900	16.9											795
ECH54K	1 1/2	398	1.61	23160	15.5	21040	16.5	20450	17.9	16870	19.8	13050	16.5									810
ECH54L	2	438	2.13	25480	18.4	23590	19.4	23080	19.4	20010	22	16620	26									810
ECH54M	3	502	3.21	29210	23	27570	25	27150	25	24730	27	21820	29	18880	30	15660	25					817
ECH54N	5	595	5.33	34620	30	33250	30	32900	30	31040	34	28870	35	26410	37	23890	43	21440	40	18640	33	831
ECH60J	1	292	1.09	23600	10.7	20200	12.5	19200	12.5	13400	10.9											906
ECH60K	1 1/2	334	1.59	26580	13.7	23750	15.7	22910	15.7	18060	19.5											916
ECH60L	2	368	2.13	29290	16.3	26760	17.6	26060	18.8	21820	21	17330	16.3									941
ECH60M	3	421	3.18	33510	21	31330	22	30760	22	27380	24	23450	29	19500	22							950
ECH60N	5	499	5.30	39720	28	37900	28	37430	29	34890	31	31840	32	28510	35	25250	36	21650	31			956
ECH60P	7 1/2	571	7.89	45450	34	43870	34	43460	34	41360	36	38970	39	36220	42	33320	44	30440	51	27580	46	1070
ECH60R	10	628	10.91	50800	40	49500	40	49100	40	47200	42	45100	45	42700	47	40100	50	37500	52	35900	52	1085
ECH72K	1 1/2	246	1.62	34400	11.5	29500	13.3	28100	13.2	19900	11.5											1275
ECH72L	2	271	2.15	37900	13.3	33700	15.5	32300	15.5	25100	19.5											1300
ECH72M	3	310	3.12	42460	16.7	38870	18.4	37870	19.9	31880	21	25520	23									1300
ECH72N	5	368	5.20	50400	23	47430	25	46650	25	42190	27	36860	30	31540	32							1320
ECH72P	7 1/2	421	7.77	57660	28	55080	28	54420	30	50840	33	46530	34	41820	37	37180	38					1400
ECH72R	10	464	10.89	64900	34	62600	34	62000	34	58800	36	55200	38	50800	42	46000	44	42400	49	37800	39	1430
ECH72S	15	531	16.38	74200	43	72400	43	71800	43	69100	43	66200	46	62900	49	59300	50	55400	54	51900	55	1510

Propeller Roof Fans

The brake horsepower capability of a fan motor is dependent on the degree of cooling the motor receives from the moving air stream over the motor. The motor loading beyond the motor name plate rating on Acme built fans does not overheat the motor and is within NEMA recommended limits. It is therefore not detrimental to the motor and is economically desirable.

Performance certified is for Installation Type A: Free inlet, Free Outlet
 Power Rating (BHP) does not include transmission losses.
 Performance ratings do not include the effects of appurtenances (accessories).

The sound ratings shown for Models EC and ECH are loudness values in hemispherical sones at 1.5 m (5 ft) in a hemispherical free field calculated per AMCA Standard 301. Values shown are for Installation Type A: Free Inlet hemispherical sone levels.

The sound ratings shown for Models EC-S and ECH-S are loudness values in fan sones at 1.5 m (5 ft) in a hemispherical free field calculated per AMCA Standard 301. Values shown are for Installation Type A: Free Outlet hemispherical sone levels.

SUPPLY VENTILATORS

MODEL NO.	HP	RPM	MAX BHP	LICENSED CFM & SONES vs. STATIC PRESSURE																EST. SHIP WT. LBS.		
				0"		.100"		.125"		.250"		.375"		.500"		.625"		.750"			.875"	
				CFM	SONES	CFM	SONES	CFM	SONES	CFM	SONES	CFM	SONES	CFM	SONES	CFM	SONES	CFM	SONES		CFM	SONES
ECH-S24F	1/3	950	.36	4830	17.7	4450	18.8	4340	19.5	3320	21	2510	16.6									196
ECH-S24G	1/2	1091	.55	5550	27	5230	22	5140	22	4500	26	3500	24	2860	20							203
ECH-S24H	3/4	1248	.81	6350	27	6070	27	6000	27	5560	29	4800	32	3960	28	3370	25					206
ECH-S24J	1	1374	1.07	6990	31	6740	30	6670	31	6310	33	5790	36	4950	38	4260	32	3740	29			214
EC-S30E	1/4	434	.22	6130	11.1	3890	9.7	3440	9.4													237
EC-S30F	1/3	508	.36	7170	14.9	5500	13.4	4870	13.1	3010	12.0											240
EC-S30G	1/2	581	.52	8210	18.9	6910	17.4	6410	17.1	4340	16.0											245
EC-S30H	3/4	665	.80	9390	24	8350	22	8000	22	5730	21	4530	19.8									250
EC-S30J	1	732	1.08	10340	28	9430	26	9150	26	7200	24	5640	24	4550	23							256
EC-S36E	1/4	370	.22	7740	11.6	5190	9.9	4050	11.2													297
EC-S36F	1/3	431	.38	9020	14.1	7040	12.0	6410	11.8	3200	11.9											300
EC-S36G	1/2	495	.55	10360	18.9	8760	17.9	8230	18.1	4810	14.9											307
EC-S36H	3/4	575	.87	12030	26	10740	23	10340	23	7880	19.7	5160	17.8									311
EC-S36J	1	634	1.19	13270	28	12130	27	11800	26	9800	23	6680	20	5270	25							318
ECH-S36K	1 1/2	782	1.58	13570	34	12890	33	12710	32	11720	32	10340	31	8400	32	6690	30					411
ECH-S36L	2	861	2.10	14940	38	14320	37	14160	37	13310	36	12260	35	10780	36	8950	38	7410	37			427
ECH-S36M	3	987	3.08	17120	50	16590	47	16450	48	15750	48	14950	47	14000	46	12740	45	12210	47	9470	48	439
EC-S42F	1/3	342	.39	11400	13.4	8300	11.9	7100	10.7													400
EC-S42G	1/2	385	.58	12790	16.5	10260	14.8	9470	14.7	5100	13.0											407
EC-S42H	3/4	442	.89	14690	23	12640	19.7	11960	19.3	7330	15.5	4280	17.0									411
EC-S42J	1	485	1.13	16110	24	14320	23	13760	22	10230	20	6750	16.5									418
ECH-S42K	1 1/2	605	1.73	16350	30	15482	29	15265	28	13696	28	11631	28	9651	25							524
ECH-S42L	2	666	2.31	17999	36	17209	34	17011	33	15808	33	14027	32	12159	31	10278	29					521
ECH-S42M	3	763	3.50	20620	47	19933	46	19761	46	18903	46	17552	45	15970	44	14292	46	12832	45	10899	47	534
ECH-S42N	5	904	5.63	24430	61	23849	58	23704	56	22977	58	22251	56	21059	56	19778	55	18370	55	16984	57	548
EC-S48G	1/2	308	.55	15280	13.7	11510	11.4	10190	10.6													556
EC-S48H	3/4	354	.85	17560	16.8	14490	16.2	13510	15.4	7600	11.0											560
EC-S48J	1	382	1.05	18950	22	16220	19.3	15320	19.5	9230	13.6											567
ECH-S48K	1 1/2	485	1.54	19740	24	18260	23	17850	23	15180	23	10850	21									652
ECH-S48L	2	532	2.08	21650	28	20310	27	19960	27	17840	27	14480	25	10830	25							663
ECH-S48M	3	611	3.28	24870	34	23710	35	23410	34	21770	34	19600	35	16480	35	12990	32	11360	29			669
ECH-S48N	5	723	5.09	29430	54	28450	50	28210	52	26920	50	25450	48	23630	47	21170	48	18330	46	15370	42	683
ECH-S54J	1	347	1.02	20300	17.3	17800	16.8	17000	16.8	11000	15.2											795
ECH-S54K	1 1/2	398	1.59	22990	22	20930	21	20350	21	16050	19.3	11030	17.7									810
ECH-S54L	2	438	2.10	25300	25	23450	24	22950	24	19710	24	14430	23									810
ECH-S54M	3	502	3.22	28990	32	27400	31	26990	31	24610	31	21050	33	16220	29	13460	26					817
ECH-S54N	5	595	5.07	34370	42	33030	42	32690	42	30880	42	28710	41	25740	43	21950	41	17910	39			831
ECH-S60J	1	292	1.06	23500	15.7	20000	15.2	18900	15.2	11000	12.5											906
ECH-S60K	1 1/2	334	1.51	26390	19.3	23620	18.9	22800	18.9	16380	20											916
ECH-S60L	2	368	2.07	29080	23	26610	22	25930	23	21020	24	14470	23									941
ECH-S60M	3	421	3.11	33260	28	31150	27	30580	27	27190	27	21770	25	16340	24							950
ECH-S60N	5	499	5.28	39430	39	37660	39	37200	37	34720	38	31520	37	26900	34	21370	35	18500	31			956
ECH-S60P	7 1/2	571	7.59	45110	49	43580	49	43180	49	41140	47	38790	47	35820	47	31820	50	27240	47	22980	44	1070
ECH-S60R	10	628	10.93	50500	58	49100	58	48800	58	46800	55	44700	55	42400	56	39600	56	36100	59	31700	56	1085
ECH-S72K	1 1/2	246	1.57	34200	16.6	29300	15.9	27700	16.0	16300	12.9											1275
ECH-S72L	2	271	2.02	37600	18.9	33300	18.4	32100	18.4	22300	13.7											1300
ECH-S72M	3	310	3.01	42150	24	38650	23	37680	24	30840	26	21270	22									1300
ECH-S72N	5	368	5.00	50040	32	47140	32	46380	30	41960	31	35140	34	26420	29							1320
ECH-S72P	7 1/2	421	7.74	57240	41	54730	41	54090	39	50590	40	46120	40	39680	36	31850	32	27270	33			1400
ECH-S72R	10	464	10.49	64400	48	62200	48	61600	48	58400	46	54700	48	50100	46	43900	44	37100	39	31200	39	1430
ECH-S72S	15	531	16.26	73700	62	71800	62	71300	62	68700	60	65500	61	62700	61	58500	60	53500	63	47500	60	1510

Propeller Roof Fans

Performance certified is for Installation Type A: Free inlet, Free Outlet
Power Rating (BHP) does not include transmission losses.

Performance ratings do not include the effects of appurtenances (accessories).
The brake horsepower capability of a fan motor is dependent on the degree of cooling the motor receives from the moving air stream over the motor. The motor loading beyond the motor name plate rating on Acme built fans does not overheat the motor and is within NEMA recommended limits. It is therefore not detrimental to the motor and is economically desirable.

The sound ratings shown for Models EC and ECH are loudness values in fan sones at 1.5 m (5 ft) in a hemispherical free field calculated per AMCA Standard 301. Values shown are for Installation Type A: Free Inlet hemispherical sone levels.

The sound ratings shown for Models EC-S and ECH-S are loudness values in fan sones at 1.5 m (5 ft) in a hemispherical free field calculated per AMCA Standard 301. Values shown are for Installation Type A: Free Outlet hemispherical sone levels.

For more information on this product contact your sales support.



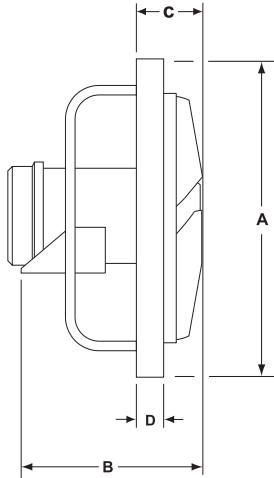


Direct Drive Propeller Wall Fans

Models FN and FQ

Est. 1938

Models FN and FQ are high capacity direct drive propeller wall fans designed to deliver large volumes of air at relatively low static pressures. Typical applications include manufacturing and assembly facilities, warehouses, parking garages, sports and agricultural facilities.



EXHAUST FAN DIMENSIONS				
Fan Model	A	B	C	D
FQ09	14.00	7.57	2.06	1.83
FQ10	14.00	7.57	2.06	1.83
FQ12	18.00	15.00	4.50	1.54
FQ14	18.00	15.00	4.50	1.54
FN14	18.00	11.00	3.75	1.50
FQ16	23.00	19.00	5.50	1.50
FN16	23.00	13.00	4.50	1.50
FQ18	23.00	19.00	5.50	1.50
FN18	23.00	13.00	4.50	1.50
FQ21	26.50	17.25	6.00	1.50
FN21	26.50	15.00	5.00	1.75
FQ24	30.00	20.00	6.50	1.75
FN24	30.00	17.50	6.00	1.75
FQ30	37.50	26.25	7.50	1.75
FN30	37.50	22.44	8.00	1.75
FQ36	45.00	24.75	8.00	1.63
FN36	45.00	20.00	9.00	1.75
FN42	60.00	24.00	2.88	3.06
FN48	64.00	25.50	3.00	3.06

SUPPLY FAN DIMENSIONS				
Fan Model	A	B	C	D
FQ-R12	18.00	16.75	3.25	1.50
FQ-R14	18.00	16.75	3.25	1.50
FN-R14	18.00	13.50	1.50	1.50
FQ-R16	23.00	21.75	4.00	1.50
FN-R16	23.00	19.00	1.50	1.50
FQ-R18	23.00	21.75	4.00	1.50
FN-R18	23.00	19.00	1.50	1.50
FQ-R21	26.50	22.00	2.75	1.75
FN-R21	26.50	22.00	1.75	1.75
FQ-R24	30.00	21.00	1.50	1.75
FN-R24	30.00	25.00	1.75	1.75
FQ-R30	37.50	27.88	4.50	1.75
FN-R30	37.50	25.12	1.75	1.75
FQ-R36	45.00	25.25	5.00	1.75
FN-R36	45.00	30.00	1.75	1.75
FN-R42	60.00	30.50	2.00	3.06
FN-R48	64.00	32.25	2.50	3.06

Dimensions are shown in inches.

U.L. 705 Listed

Consult your Acme representative for availability.

Acme Engineering & Manufacturing Corporation certifies that the models shown herein are licensed to bear the AMCA Seal. The ratings shown are based on tests and procedures performed in accordance with AMCA Publication 211 and AMCA Publication 311 and comply with the requirements of the AMCA Certified Ratings Program.

Construction Features

Model FN

- Capacities range up to 22,400 CFM
- Up to 1 inch static pressure
- Available in 9 sizes from 14" to 48"
- Available for either exhaust or supply ventilation
- Precision balanced heavy duty all welded aluminum propeller with tapered, circular arc airfoil blades



FN MODEL

Model FQ

- Capacities up to 17,800 CFM
- Up to 7/8 inch static pressure
- Available for either exhaust or supply ventilation except models FQ98, 108, 129 and 1210 for exhaust only
- Precision balanced aluminum propeller with advanced teardrop blade design for exceptionally low noise and minimum air turbulence



FQ MODEL

Other Features

Frame and Orifice

- Constructed of all welded heavy gauge steel with charcoal baked enamel
- Deep rolled, streamlined orifice for efficient performance
- Heavy wall steel tube frame for extra strength
- Designed to operate in any position

Motors

- Totally enclosed continuous duty type with sealed ball bearing

Finish

- Charcoal baked enamel finish is standard on all steel parts

Options/Accessories

- Safety Guards
- Dampers
- Coatings
- Solid State Controllers
- Wall Collar Package
- Wall Box Package
- Weather Hood
- Disconnect Switch

Propeller Wall Fans

PERFORMANCE DATA																
Fan Model	RPM	Tip Speed Ft/Min	HP	Sones @ .100"SP	CFM vs. Static Pressure										Max. BHP	Est. Ship Wt. lbs.
					.000"	.100"	.125"	.250"	.375"	.500"	.625"	.750"	.875"	1.000"		
FQ098LO	1500	3435	1/28	8.0	455	355										
FQ098HI	1650	3780	1/28	10.0	500	410	385								* 70	15
FQ108LO	1500	3925	1/28	6.0	620	530	505									17
FQ108HI	1650	4320	1/28	6.0	685	600	580								*120	17
FQ1210LO	980	3030	1/28	4.0	870	645	565								.027	27
FQ1210HI	1060	3280	1/28	4.0	940	750	685								.034	27
FQ129LO	1350	4180	1/8	5.0	1200	1075	1030								.069	27
FQ129HI	1550	4795	1/8	6.0	1380	1280	1245	1035							.105	27
FQ12D4	1760	5445	1/6	8.0	1565	1475	1450	1295	1090						.158	29
FQ14C6	1160	4150	1/8	7.0	1625	1440	1375								.100	32
FQ14F4	1760	6295	1/3	14.0	2460	2380	2350	2170	1940						.353	35
FN14D4	1760	6450	1/6	14.0	1880	1780	1750	1600	1430						.208	32
FN14E4	1760	6450	1/4	14.0	2160	2050	2020	1850	1640	1300	965	760			.300	35
FQ16C6	1160	4800	1/6	8.0	2180	2020	1960	1620							.148	37
FQ16F4	1760	7280	1/3	16.0	2580	2490	2460	2320	2150	1850					.390	40
FQ16H4	1760	7280	3/4	17.0	3710	3600	3570	3430	3240	3010	2770				.685	40
FN16F4	1760	7370	1/3	18.1	3229	3038	2990	2683	2212	1766	1510	1325	1178	1033	.530	36
FQ18E6	1160	5505	1/4	9.0	3210	2960	2890	2500							.253	40
FQ18G6	1160	5505	1/2	12.0	4030	3720	3640	3300	2730						.470	48
FQ18H4	1760	8350	3/4	17.0	4870	4720	4670	4450	4220	3960	3700	3350			.870	48
FN18G4	1760	8290	1/2	21	4170	4000	3960	3760	3520	3250	2950	2520	2040		.571	33
FQ21G6	1160	6325	1/2	13.0	5250	5020	4950	4550	4080						.610	83
FQ21K4	1760	9595	1 1/2	24	6750	6570	6530	6300	6050	5780	5490	5160	4700		1.510	91
FN21J4	1760	9670	1	30	6009	5837	5793	5575	5333	5053	4741	4357	3762	3116	1.100	68
FN21K4	1760	9670	1 1/2	30	8150	7930	7880	7590	7250	6880	6440	5840			1.712	82
FQ24F8	860	5430	1/3	10.0	5550	5110	4990	4200							.389	93
FQ24H6	1160	7325	3/4	14.0	7140	6820	6750	6260	5660	4850					.882	93
FN24J6	1160	7280	1	23	8150	7760	7660	7080	6350						.980	121
FN24J4	1760	11050	1	39	6420	6220	6190	5950	5700	5450	5170	4870	4530	4180	1.070	85
FN24L4	1760	11050	2	40	9590	9400	9360	9110	8870	8590	8210	7950	7600	7200	2.100	99
FQ30H8	860	6700	3/4	18	8860	8310	8150	7330	6380						.830	132
FQ30K8	860	6700	1 1/2	14.0	11600	10970	10800	9950	9000						1.370	168
FQ30M6	1160	9035	3	21	15100	14660	14570	13980	13330	12610	11900	11130			3.060	174
FN30L6	1160	9110	2	30	12450	12100	12000	11500	10900	10300	9580	8720	7750		1.96	175
FN30M6	1160	9110	3	31	16040	15500	15420	14750	14000	13150	12050				3.03	213
FQ36K8	860	8020	1 1/2	21	14450	13800	13620	12580	11570						1.640	197
FQ36L8	860	8020	2	22	17800	17000	16800	15800	14700	13300					2.420	203
FN36K8	860	8100	1 1/2	27	13160	12650	12520	11800	10950	9900	8500	6600	5250	4000	1.66	199
FN36L6	1160	10930	2	43	14280	13920	13820	13300	12700	12050	11400	10700	10000		2.26	204
FN36M6	1160	10930	3	43	17740	17360	17270	16780	16200	15600	15000	14300			3.14	244
FN42K8	860	9456	1 1/2	32	17560	16700	16340	14970							1.80	212
FN42L8	860	9456	2	33	19400	18600	18220	16980							2.26	222
FN42M8	860	9456	3	43	22320	21650	21450	20460	19000	16250					3.45	230
FN48K8	860	10800	1 1/2	36	17120	15900	15530	13950	12400	10640	9025	7420	6000	4300	1.71	223
FN48L8	860	10800	2	39	19340	18200	17930	16550	15060	13360	11630	9900	8240	6840	2.19	233
FN48M8	860	10800	3	41	22400	21600	21440	20360	18940	17170	15260	13110	11285	10090	3.01	241

Performance certified is for installation Type A: Free inlet, Free Outlet. The sound ratings shown are loudness values in hemispherical sones at 1.5 m (5 ft) in a hemispherical free field calculated per AMCA Standard 301. Values shown are for Installation Type A: Free Inlet hemispherical sone levels.

Performance ratings do not include the effects of appurtenances (accessories) on models FQ12 through FQ48. Performance ratings include the effect of a back guard (motor side) on models FQ09 and FQ10.

Model numbers shown are for Exhaust Fans with standard direction of airflow (motor on intake side of propeller). To order Supply Fans with direction of airflow reversed (motor on discharge side of propeller) add letter "R" to the model number; example: FN-R14. The brake horsepower capability of a fan motor is dependent on the degree of cooling the motor receives from the moving airstream over the motor. The motor loading beyond the motor nameplate rating does not overheat the motor and is within NEMA recommended limits. It is therefore not detrimental to the motor and is economically desirable.

*Watts

For more information on this product contact your sales support.

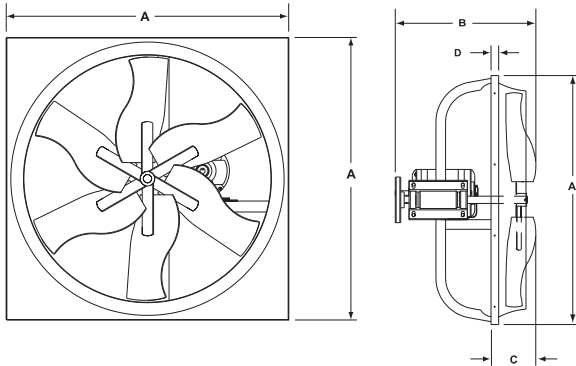
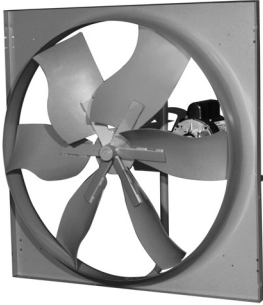




Est. 1938

Belt Drive Propeller Wall Fans Models DC, DCK, DCH and K

Models DC, DCK, DCH and K are belt drive propeller wall fans. Typical applications include manufacturing and assembly facilities, warehouses, parking garages, sports and agricultural facilities.



Fan Model	DIMENSIONS					
	A	B Max.		C		D
		Exhaust	Supply	Exhaust	Supply	
DC24	28.00	18.50	18.62	7.00	1.00	1.00
DC30	34.00	19.13	17.38	7.75	1.00	1.00
DC36	40.00	17.39	17.38	6.75	1.00	1.00
DC42	46.00	18.75	17.38	7.63	1.00	1.00
DC48	54.00	19.63	18.62	7.38	1.50	1.50
DC54	60.00	22.88	N/A	10.38	N/A	1.62
DCK24	28.00	20.25	20.50	4.67	0	1.12
DCK30	34.00	23.13	24.25	6.55	0	1.12
DCK36	40.00	23.13	24.25	5.32	0	1.12
DCK42	48.00	28.38	26.51	5.52	1.25	1.50
DCK48	54.00	28.38	26.51	5.84	6.00	1.50
DCK54	60.00	28.38	27.48	7.41	7.50	1.50
DCK60	68.00	33.37	30.53	5.16	5.00	2.00
DCK72	80.00	36.00	36.00	7.29	6.00	2.00
DCH42	48.00	26.13	28.38	4.00	2.13	1.50
DCH48	54.00	26.13	29.88	4.00	2.38	1.50
DCH54	60.00	26.13	28.38	4.00	2.63	1.50
DCH60	68.00	30.53	34.13	4.50	2.00	1.50
DCH72	80.00	33.25	33.25	6.00	2.50	2.00
K24	30.00	20.25	25.00	4.00	0	1.75
K30	37.50	26.00	29.00	5.75	0	1.75
K36	45.00	25.50	31.50	5.75	0	1.75
K42	52.50	30.00	32.00	5.00	0	2.00
K48	60.00	30.00	33.00	4.50	0	2.00
K54	67.50	30.75	N/A	5.00	NA	2.00
K60	75.00	34.50	N/A	6.00	NA	2.00
K72	90.00	35.00	N/A	5.75	NA	2.50

Dimensions are shown in inches.

Construction Features

Model DC

- Capacities up to 27,720 CFM
- Up to 3/8 inch static pressure
- Available for either exhaust or supply ventilation
- Precision balanced steel propeller with cambered twist blade design

Model DCK

- Capacities up to 73,080 CFM
- Up to 3/4 inch static pressure
- Available for either exhaust or supply ventilation
- Precision balanced aluminum propeller with cambered twist blade design
- Pillow block bearings standard on DCK72

Model DCH

- Capacities up to 77,240 CFM
- Up to 1/4 inch static pressure
- Available for either exhaust or supply ventilation
- Precision balance heavy duty all welded steel propeller with cambered blades
- Pillow block bearings standard on DCH72

Model K

- Capacities up to 79,330 CFM
- Up to 1 1/4 inch static pressure
- Available for either exhaust or supply ventilation
- Precision balanced heavy duty all welded aluminum propeller with circular-arc blades
- Pillow block bearings standard on all sizes

Other Features

Frame and Orifice

- Constructed of all welded heavy gauge steel with charcoal baked enamel
- Deep rolled, streamlined orifice for efficient performance
- Heavy wall steel tube frame for extra strength
- Designed to operate in any position

Bearings

- Permanently lubricated in an Acme D.S. pillow block housing
- Bearings are resiliently mounted in neoprene rings
- Rated at L₅₀ life of 200,000 hours
- 5 year limited warranty on Acme D.S. pillow block bearings

Drives

- Cast iron drives sized for 150% of drive horsepower
- Static free, oil and heat resistant belts
- 1 or 2 belt combinations depending on horsepower

Motors

- Continuous duty type with sealed ball bearings

Finish

- Charcoal baked enamel finish is standard on all steel parts

Options/Accessories

- Wall Box Package
- Disconnect Switches
- Safety Guards
- Dampers
- Coatings
- Weather Hood Package

Propeller Wall Fans

Acme Engineering & Manufacturing Corporation certifies that the models shown herein are licensed to bear the AMCA seal. The ratings shown are based on tests and procedures performed in accordance with AMCA Publication 211 and AMCA Publication 311 and comply with the requirements of the AMCA Certified Ratings Program.

DC & DCK
U.L. 705 Listed

Consult your Acme representative for availability.

PERFORMANCE TABLE															
FAN MODEL	POWER HP	RPM	SONES @ 1/8"	CFM vs. STATIC PRESSURE									MAX. BHP	EST. UNIT WT. lbs.	EST. SHIP WT. lbs.
				.000"	.050"	.100"	.125"	.150"	.200"	.250"	.300"	.375"			
DC24	1/4	622	10.9	5280	4950	4530	4230	3870					.26	51	80
DC24	1/3	735	14.0	6240	5960	5660	5470	5260	4700	3840			.42	55	84
DC24	1/2	820	17.2	6960	6710	6450	6310	6150	5750	5230	4520		.58	59	88
DC24	3/4	949	27	8050	7840	7620	7510	7390	7120	6790	6380	5610	.90	64	93
DC30	1/4	450	9.1	7210	6620	5770	5180						.26	57	90
DC30	1/3	529	12.5	8480	7990	7400	7010	6560	5220				.42	63	96
DC30	1/2	607	17.3	9720	9300	8840	8570	8250	7490	6430			.63	67	100
DC30	3/4	686	18.6	10990	10620	10230	10020	9780	9220	8540	7710		.90	72	105
DC30	1	757	26	12130	11790	11450	11260	11070	10630	10100	9480	8320	1.21	80	113
DC36	1/3	431	11.3	10260	9570	8790	8300	7660					.39	66	106
DC36	1/2	495	14.0	11790	11190	10560	10200	9800	8740				.59	71	111
DC36	3/4	575	18.1	13680	13180	12650	12380	12080	11420	10580	9460		.92	75	115
DC36	1	634	21	15090	14630	14160	13920	13670	13130	12500	11730		1.22	83	123
DC42	1/3	342	10.7	12830	11810	10460	9700	7780					.42	97	142
DC42	1/2	385	14.7	14440	13550	12490	11830	11110					.59	101	146
DC42	3/4	442	16.5	16580	15820	14970	14470	13910	12750	10460			.90	110	155
DC42	1	485	23	18200	17500	16760	16350	15890	14850	13800	11800		1.20	118	163
DC48	1/2	308	11.8	17470	16220	14650	13630	12160					.61	133	185
DC48	3/4	354	14.4	20080	19000	17790	17070	16220	13810				.93	158	210
DC48	1	382	18.3	21670	20680	19600	18980	18290	16620				1.13	166	218
DC48	1 1/2	444	22	25186	24337	23452	22979	22474					1.71	174	226
DC54	1	311	19.2	25600	24300	22810	21990	20900	17880				1.22	190	247
DC54	1 1/2	334	20	27720	26300	25770	25160	24420	22340	19220			1.72	198	255

↕ Maximum capacity of the two speed, 1/2 HP and 3/4 HP models is approximately 10% less than that shown in the table.

Performance certified is for Installation Type A - Free Inlet, Free Outlet. Power rating (BHP) does not include transmission losses. Performance ratings do not include the effects of appurtenances (accessories).

Brake horsepower capability of a fan motor is dependent on the degree of cooling the motor receives from the airstream moving over the motor. Motor loading beyond the motor nameplate rating does not overheat the motor and is within NEMA recommended limits. Therefore, it is not detrimental to motor and is economically desirable.

Model numbers shown are for Exhaust fans with standard direction of airflow (motor on intake side of propeller). For Supply fans with direction of airflow reversed (motor on discharge side of propeller) add a "-R" between the model and the model size. (Ex. DC-R24)

The sound ratings shown are loudness values in fan sones at 1.5 m (5 ft) in a hemispherical free field calculated per AMCA Standard 301. Values shown are for Installation Type A: Free Inlet hemispherical sone levels.

When a supply type fan is used, a center pivot damper type WAGC or WAGCH is recommended.

PERFORMANCE TABLE															
FAN MODEL	POWER HP	RPM	SONES @ 1/8"	CFM vs. STATIC PRESSURE							MAX. BHP	EST. UNIT WT. lbs.	EST. SHIP WT. lbs.		
				.000"	.050"	.100"	.125"	.150"	.200"	.250"					
DCH42	1 1/2	524	28	19060	18410	17700	17320	16880	15650				1.75	188	259
DCH42	2	574	27	20880	20280	19660	19330	18970	18130	16770			2.30	188	259
DCH42	3	661	31	24040	23530	23000	22730	22440	21840	21120			3.45	231	302
DCH48	1 1/2	404	21	23890	23010	22010	21380	20510					1.88	225	302
DCH48	2	444	24	26260	25460	24600	24100	23530	21570				2.50	225	302
DCH48	3	509	33	30100	29410	28680	28300	27890	26900	25380			3.76	268	345
DCH48	5	603	47	35660	35080	34480	34170	33860	33190	32420			6.25	299	376
DCH54	1 1/2	332	19.8	27950	26740	25280	24180	21810					1.73	292	389
DCH54	2	366	23	30820	29720	28500	27750	26750					2.34	292	389
DCH54	3	419	28	35280	34330	33320	32770	32150	30480				3.51	319	416
DCH54	5	496	36	41760	40960	40140	39710	39270	38280	37060			5.79	350	447
DCH60	1 1/2	278	15.7	32110	30480	28320	26000						1.74	450	562
DCH60	2	306	19	35340	33880	32160	30960	28830					2.30	450	562
DCH60	3	350	24	40420	39160	37780	36990	36040	32460				3.45	477	589
DCH60	5	415	32	47930	46870	45770	45180	44560	43110	41000			5.76	508	620
DCH60	7 1/2	475	41	54860	53940	52990	52500	52000	50920	49680			8.59	630	742
DCH72	2	226	16.2	45100	42690	39330	34580						2.28	525	767
DCH72	3	259	19.9	51690	49620	47200	45590	42990					3.48	538	780

Performance certified is for Installation Type A - Free Inlet, Free Outlet. Power rating (BHP) does not include transmission losses. Performance ratings do not include the effects of appurtenances (accessories).

Brake horsepower capability of a fan motor is dependent on the degree of cooling the motor receives from the airstream moving over the motor. Motor loading beyond the motor nameplate rating does not overheat the motor and is within NEMA recommended limits. Therefore, it is not detrimental to motor and is economically desirable.

Model numbers shown are for Exhaust fans with standard direction of airflow (motor intake side of propeller). For Supply fans with direction of airflow reversed (motor on discharge side of propeller) add a "-R" between the model and the model size (ex. DCH-R42).

The sound ratings shown are loudness values in fan sones at 1.5 m (5 ft) in a spherical free field calculated per Annex B of AMCA 311. Values shown are for Installation Type A: free inlet spherical sone levels.

When a supply type fan is used, a center pivot damper type WAGCH is recommended.



PERFORMANCE TABLE													
FAN MODEL	POWER HP	RPM	SONES @ 1/8"	CFM vs. STATIC PRESSURE							MAX. BHP	EST. UNIT WT. lbs.	EST. SHIP WT. lbs.
				.000"	.125"	.250"	.375"	.500"	.625"	.750"			
DCK24	1/4	772	11.8	5134	4214	2601					0.296	50	88
DCK24	1/3	855	13.3	5686	4916	3374	2407				0.417	54	92
DCK24	1/2	985	16.0	6550	5920	4983	3511	2766			0.638	58	96
DCK24	3/4	1123	19.6	7468	6915	6227	5070	3936	3276		0.935	63	101
DCK24	1	1237	22	8224	7724	7183	6424	5114	3649		1.246	71	109
DCK30	1/3	587	9.8	7897	6445	3698					0.430	66	112
DCK30	1/2	676	12.1	9095	7882	5783					0.639	70	116
DCK30	3/4	771	14.8	10373	9356	8005	5575				0.957	75	121
DCK30	1	849	17.3	11422	10499	9425	7746	5492			1.283	83	129
DCK30	1 1/2	958	23	12888	12070	11178	10077	8241	6261		1.839	91	137
DCK30	2	1054	29	14177	13436	12678	11775	10588	8674	6939	2.445	91	137
DCK36	3/4	550	15.8	12069	10291	7106					0.862	80	137
DCK36	1	606	18.9	13298	11830	9231					1.151	88	145
DCK36	1 1/2	684	23	15010	13709	11790	9097				1.655	96	153
DCK36	2	752	27	16502	15319	13806	11674	9356			2.202	96	153
DCK36	3	861	33	18890	17861	16827	15139	13205	10906		3.303	139	196
DCK42	1	471	15.9	16490	14094	9437					1.143	227	298
DCK42	1 1/2	532	19.4	18625	16599	13587	9234				1.639	235	306
DCK42	2	585	23	20481	18676	16481	11979				2.231	235	306
DCK42	3	670	29	23457	21881	20095	17705	13548			3.305	278	349
DCK42	5	794	40	27793	26468	25138	23499	21601	18249	15202	5.549	309	380
DCK48	1 1/2	426	20	21962	19259	13032					1.587	273	350
DCK48	2	470	22	24232	21945	17742	12450	22353			4.849	273	350
DCK48	3	537	24	27690	25687	22937	17361	13975			3.309	316	393
DCK48	5	637	31	32848	31160	29446	26698	22324	18158		5.440	347	424
DCK48	7 1/2	729	39	37597	36119	34639	32785	30384	26744	21987	8.168	469	546
DCK54	1 1/2	351	15.9	25755	21840	13448					1.529	350	447
DCK54	2	386	18.1	28326	24975	18272					2.016	350	447
DCK54	3	442	22	32438	29598	25785	17946				3.089	377	474
DCK54	5	524	28	38460	36064	33374	29528	22353			5.117	408	505
DCK54	7 1/2	600	36	44041	41949	39848	37104	33490	26831	22310	7.670	530	627
DCK54	10	661	42	48518	46621	44714	42587	39918	36260	30140	10.280	567	664
DCK60	2	325	15.8	33897	27938	19208					2.379	540	652
DCK60	3	372	18.7	38799	34801	25377					3.572	567	679
DCK60	5	440	24	45891	42661	36537	28819	25068			5.900	598	710
DCK60	7 1/2	505	29	52670	49856	46190	38637	32828	29428		8.934	720	832
DCK60	10	555	34	57874	55324	52764	47197	39983	35286	32429	11.845	757	869
DCK72	3	275	16.3	48303	42280	29270					3.252	624	866
DCK72	5	326	21	57269	53044	45102	33199				5.505	660	902
DCK72	7 1/2	373	26	65527	61838	56165	44612	37539			8.289	762	1004
DCK72	10	410	31	72034	68674	64530	57820	46443			10.656	819	1061

Performance certified is for Installation Type A - Free Inlet, Free Outlet. Power rating (BHP) does not include transmission losses. Performance ratings do not include the effects of appurtenances (accessories).

Brake horsepower capability of a fan motor is dependent on the degree of cooling the motor receives from the airstream moving over the motor. Motor loading beyond the motor nameplate rating does not overheat the motor and is within NEMA recommended limits. Therefore, it is not detrimental to motor and is economically desirable.

Model numbers shown are for Exhaust fans with standard direction of airflow (motor on intake side of propeller). For Supply fans with direction of airflow reversed (motor on discharge side of propeller) add a "-R" between the model and the model size (ex. DCK-R24).

The sound ratings shown are loudness values in spherical sones at 1.5 m (5 ft.) in a spherical free field calculated per Annex B of AMCA 311. Values shown are for: Installation Type A: free inlet spherical sone levels.

When a supply type fan is used, a center pivot damper type WAGCH is recommended.

Fan Model	FAN RPM	HP	LICENSED CFM, SONES VS STATIC PRESSURE																		Max. BHP ◆
			.000		.125		.250		.375		.500		.625		.750		1.000		1.250		
			CFM	Sones	CFM	Sones	CFM	Sones	CFM	Sones	CFM	Sones	CFM	Sones	CFM	Sones	CFM	Sones	CFM	Sones	
K24F	950	½	5300	17	4850	20	4210	22	2820	23											.39
K24G	1090	¾	6080	21	5700	23	5200	26	4500	29	3000	29									.58
K24H	1250	¾	6980	24	6640	27	6250	31	5760	33	5130	36	4060	37							.85
K24J	1375	1	7670	26	7370	28	7020	32	6640	35	6170	38	5550	34	4570	40					1.12
K30G	748	½	8220	19	7450	21	6430	24	4200	25											.56
K30H	856	¾	8780	23	8170	25	7270	27	5940	30											.83
K30J	942	1	9660	25	9120	27	8430	32	7340	34	5930	38									1.09
K30K	1078	1½	11060	33	10590	37	10060	41	9320	43	8320	45	7170	48	5580	53					1.62
K30L	1187	2	12170	35	11750	39	11300	44	10740	47	9940	49	9020	51	7970	54					2.15
K36J	698	1	13150	20	12200	21	11000	24	9300	34											1.07
K36K	799	1½	15050	24	14250	26	13350	27	12150	33	10450	44									1.59
K36L	880	2	16580	26	15950	25	15150	27	14200	32	12900	41	11200	50							2.13
K36M	1007	3	18970	32	18400	32	17700	33	17000	35	16050	41	15000	48	13650	68					3.17
K36N	1193	5	22480	43	22000	42	21450	42	20850	45	20200	47	19500	54	18800	59	16700	78	13600	88	5.24
K42K	617	1½	16755	23	15396	24	13964	30	11821	35											1.61
K42L	679	2	18441	26	17209	27	15978	32	14374	37	11872	46									2.12
K42M	777	3	21105	35	20029	34	18937	38	17803	44	16345	48	14266	50	11957	45					3.20
K42N	922	5	25047	68	24140	60	23223	64	22308	69	21364	70	20175	65	18895	67	14959	71			5.28
K48K	511	1½	21550	29	19600	33	17100	32													1.60
K48L	562	2	23700	34	21900	35	19800	34	17200	35											2.13
K48M	643	3	27120	39	25600	39	23900	39	21800	39	19200	43									3.17
K48N	763	5	32180	57	31100	61	29800	65	28400	66	26600	63	24600	64	21200	66					5.29
K48P	874	7½	36870	66	35900	66	34800	66	33700	65	32400	65	31000	65	29300	66	23000	76			7.94
K54K	421	1½	25200	24	22600	24	18900	25													1.60
K54L	463	2	27710	28	25400	28	22300	28													2.12
K54M	530	3	31720	35	29600	35	27400	35	24300	36											3.17
K54N	628	5	37590	47	35700	47	33900	47	31800	47	29300	48	25900	53							5.27
K54P	719	7½	43030	60	41600	60	40100	60	38500	60	36400	60	34400	61	31700	63					7.91
K54R	792	10	47400	71	46000	71	44800	71	43300	70	41800	70	40000	71	38000	71	31800	80			10.56
K60L	389	2	31850	25	28600	25	24600	27													2.12
K60M	445	3	36440	32	33700	32	30500	32	25900	35											3.16
K60N	528	5	43230	43	41000	42	38500	42	35600	43	31900	46									5.26
K60P	604	7½	49450	54	47500	54	45500	54	43200	54	40700	55	37500	57							7.89
K60R	665	10	54450	65	52700	65	50700	65	48700	65	46400	65	43800	66	41000	67					10.53
K60S	761	15	62300	83	60800	83	59200	82	57500	82	55600	82	53800	82	51600	82	46800	85			15.77
K72M	329	3	46360	27	42000	27	36000	29													3.15
K72N	390	5	54950	36	51300	36	47500	36	41400	38											5.25
K72P	447	7½	62980	46	59700	46	56200	45	52200	46	47400	48									7.90
K72R	492	10	69320	54	66300	54	63400	54	59900	54	55900	55	50800	58							10.52
K72S	563	15	79330	70	76900	69	74200	69	71500	69	68200	70	64700	70	60700	72					15.77

Performance certified is for Installation Type A - Free Inlet, Free Outlet. Performance ratings do not include the effects of appurtenances (accessories). Power rating (BHP) does not include transmission losses.

The sound ratings shown are loudness values in fan sones at 1.5 m (5ft) in a hemispherical free field calculated per AMCA Standard 301. Values shown are for Installation Type A: Free Inlet hemispherical sone levels.

◆MAX BHP: The brake horsepower capability of a fan motor is dependent on the degree of cooling the motor receives from the moving air stream over the motor. The motor loading beyond the motor nameplate rating on Acme built fans does not overheat the motor and is within NEMA recommended limits. It is therefore not detrimental to the motor and is economically desirable.

Models numbers shown are for Exhaust Fans with standard direction of air flow (motor on intake side of propeller). To order Supply with direction of air flow reversed (motor on discharge side of propeller) add letter "R" to Model number. EXAMPLE: K-R54L. K54, 60 & 72 not available as supply type.

For more information on this product contact your sales support.



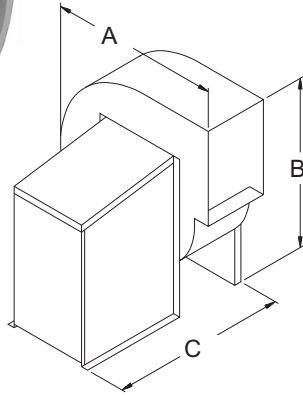


Est. 1938

Belt Drive Centrifugal Ventset Model QBR

MIAMI-DADE COUNTY
APPROVED

Model QBR is a belt drive centrifugal utility set designed for high efficiency and low sound output. The QBR utility set is a medium duty fan available in nine sizes with capacities up to 23,230 CFM and up to 3 1/2" static pressure. Maximum operating temperature of the QBR is 300°F. The QBR's compact design allows quick and easy installation in equipment rooms or on rooftops for restaurant exhaust applications.



DIMENSIONS						
Fan Model	A	B	C	Inlet Dia.	Outlet L x W	Est. Unit Wt.
QBR100	17.50	23.50	21.19	10.13	10.56 x 7.00	81
QBR137	23.25	32.25	27.44	15.13	14.52 x 10.81	130
QBR161	27.38	36.75	31.57	16.88	17.16 x 12.75	176
QBR200	33.38	45.38	36.50	21.31	21.22 x 15.75	254
QBR245	41.75	55.00	44.00	26.38	26.00 x 19.24	338
QBR270	45.63	56.00	46.00	30.19	28.66 x 21.15	371
QBR300	50.88	65.50	50.07	31.69	31.84 x 23.52	514
QBR330	55.13	68.63	52.44	36.19	35.02 x 25.88	561
QBR365	60.63	76.38	55.19	40.19	38.73 x 29.61	663

Dimensions are shown in inches.
Weights are shown in pounds.

Construction Features

Housing

- Heavy duty steel with lock-formed construction
- Field rotatable to any of seven discharge positions
- Design allows for clockwise or counterclockwise rotation with changing impeller
- Tough gray, charcoal baked enamel finish both inside and outside
- Fully gasketed and bolted access door on fan scroll is standard

Centrifugal Wheel

- Aluminum construction with backward curved hollow airfoil blades (Steel wheel SE fans)
- Non-overloading design for safe operation
- Precision balanced for smooth vibration free operation

Bearings

- Permanently lubricated in an Acme D.S. pillow block housing
- Bearings are resiliently mounted in neoprene rings
- Rated at L₅₀ life of 200,000 hours
- **5 year** limited warranty on Acme D.S. pillow block bearings

Drive Assembly

- Adjustable pitch motor sheave
- Cast iron drives sized for 150% of drive horsepower
- Static free, oil and heat resistant belts

Motor and Drive Support Base

- Continuous duty motors mounted on heavy duty galvanized base
- Base adjustable for easy belt take-up and slotted to accept various motor frames without re-drilling

Options/Accessories

- Aluminum Construction
- Inlet Vane Controls
- Dampers
- Weather Cover/Belt Guard
- Housing Drain
- Vibration Isolators
- Inlet Guard
- Outlet Flange
- Spark Resistant Construction (AMCA B)
- Coatings
- Grease Trough
- SE Option U.L. Listed "Power Ventilator for Smoke Control Systems"

Utility Blowers



Acme Engineering & Manufacturing Corporation certifies that the models shown herein are licensed to bear the AMCA seal. The ratings shown are based on tests and procedures performed in accordance with AMCA Publication 211 and AMCA Publication 311 and comply with the requirements of the AMCA Certified Ratings Program.



U.L. 762 Listed

Consult your Acme representative for availability.



Forward Curved Utility Blowers

Model FCF

Model FCF is a forward curved utility blower. These all purpose blowers provide an economical solution to many air moving requirements.

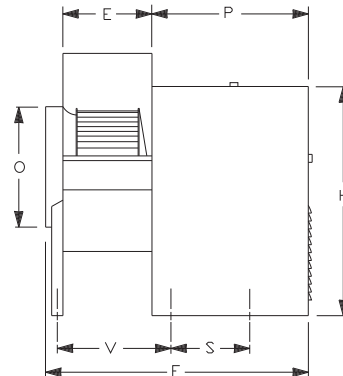
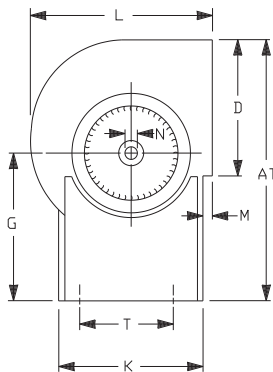


Options/Accessories

- Backdraft Dampers
- Inlet/Outlet Screens
- Belt Guard
- Corrosion Resistant Finishes
- Vibration Isolation
- Drain
- Heat Slinger
- Shaft Seal

Model FCF

- Forward curved single width, single inlet
- Seven sizes with a capacity up to 14,500 CFM
- Arrangement 10
- CCW rotation standard
- Attractive green enamel finish
- Access panels on both sides for convenient servicing
- Keyed shafts on both ends
- Belt Drive



Typical drawing for dimensional purposes only, which is correct within limits suitable for normal installation requirements, and does not necessarily show actual construction.

MODEL	AT	D	E	F	G	H	K	L	M
FCF10	24 ¹ / ₁₆	11 ³ / ₈	9 ³ / ₁₆	29 ¹ / ₁₆	15 ¹ / ₁₆	21 ⁵ / ₁₆	13 ³ / ₁₆	16 ³ / ₄	1 ³ / ₈
FCF12	26 ⁹ / ₁₆	13 ⁷ / ₁₆	9 ³ / ₁₆	29 ¹ / ₁₆	15 ¹ / ₁₆	21 ⁵ / ₁₆	13 ³ / ₁₆	19 ¹ / ₂	2 ¹ / ₂
FCF15	36 ³ / ₄	17	12 ¹ / ₂	35 ⁵ / ₈	20 ¹ / ₁₆	29 ¹ / ₈	16 ⁹ / ₁₆	25 ¹⁵ / ₁₆	3 ³ / ₈
FCF18	36 ⁵ / ₁₆	18 ⁷ / ₈	14	37 ³ / ₈	20 ¹ / ₁₆	29 ¹ / ₈	16 ⁹ / ₁₆	27	4 ¹ / ₈
FCF20	48 ⁹ / ₁₆	24 ³ / ₄	15 ³ / ₄	46 ³ / ₁₆	28	40 ⁷ / ₈	25 ¹ / ₄	32 ⁷ / ₁₆	1 ¹ / ₁₆
FCF22	50 ⁹ / ₁₆	27 ¹ / ₄	17 ¹ / ₈	47 ¹ / ₁₆	28	40 ⁷ / ₈	25 ¹ / ₄	35 ¹ / ₂	2 ¹⁵ / ₁₆
FCF25	53 ¹ / ₁₆	31 ¹ / ₄	19 ⁵ / ₈	50 ⁵ / ₁₆	28	40 ⁷ / ₈	25 ¹ / ₄	39 ⁵ / ₈	4 ¹ / ₂

MODEL	N	O	P	S	T	V	WHEEL		EST. WEIGHT
							DIA.	WIDTH	
FCF10	³ / ₄	12	17 ³ / ₄	11 ³ / ₄	11 ¹ / ₁₆	—	11 ¹ / ₈	7 ³ / ₁₆	62
FCF12	³ / ₄	14	17 ³ / ₄	11 ³ / ₄	11 ¹ / ₁₆	—	12 ⁷ / ₈	7 ³ / ₁₆	68
FCF15	1	17	21 ¹ / ₈	11 ¹ / ₂	14 ¹ / ₁₆	15 ⁵ / ₈	15 ¹ / ₂	9 ⁹ / ₁₆	150
FCF18	1	18	21 ¹ / ₈	11 ¹ / ₂	14 ¹ / ₁₆	17 ¹ / ₈	18 ¹ / ₂	10 ¹³ / ₁₆	166
FCF20	1 ³ / ₁₆	21	27 ¹ / ₁₆	14 ⁵ / ₈	22 ¹ / ₂	18 ¹ / ₈	20 ⁷ / ₁₆	10 ¹ / ₄	358
FCF22	1 ³ / ₁₆	22 ¹ / ₂	27 ¹ / ₁₆	14 ⁵ / ₈	22 ¹ / ₂	20 ¹ / ₄	22 ¹ / ₄	11 ¹ / ₄	390
FCF25	1 ³ / ₁₆	26 ³ / ₄	27 ¹ / ₁₆	14 ⁵ / ₈	22 ¹ / ₂	22 ¹ / ₄	25 ¹ / ₄	13	437

All dimensions are shown in inches.



Utility Blowers

FCF Performance Data

FCF10

MODEL NUMBER	SHAFT DIAMETER	POWER RANGE	MAX RPM	TIP SPEED 2.91 X RPM = FPM
FCF10	¾"	2 HP	2000	

CAPACITY	OUTLET VELOCITY	¼" SP		½" SP		¾" SP		1" SP		1 ½" SP		2" SP		3" SP		4" SP				
		CFM	FPM	RPM	BHP	RPM	BHP	RPM	BHP	RPM	BHP	RPM	BHP	RPM	BHP	RPM	BHP	RPM	BHP	
500	689	507	0.04																	
600	827	536	0.05																	
700	965	555	0.07	•714	•0.11															
800	1102	576	0.09	745	0.13	•858	•0.18													
900	1240	598	0.12	768	0.16	888	0.21	•984	•0.26											
1000	1378	623	0.15	787	0.21	918	0.25	1013	0.30											
1100	1516	661	0.19	808	0.25	940	0.30	1044	0.35	•1204	•0.48									
1200	1654	699	0.23	829	0.30	959	0.36	1071	0.41	1234	0.54									
1300	1791	739	0.28	853	0.36	980	0.43	1091	0.49	1264	0.61	•1399	•0.76							
1400	1929	779	0.34	876	0.42	1000	0.50	1111	0.57	1294	0.68	1429	0.85							
1500	2067	823	0.41	913	0.49	1023	0.58	1131	0.66	1318	0.78	1459	0.94							
1600	2205	867	0.48	952	0.57	1046	0.67	1151	0.75	1338	0.90	1490	1.04	•1716	•1.41					
1700	2343	913	0.56	990	0.66	1070	0.76	1174	0.86	1357	1.03	1516	1.16	1746	1.54					
1800	2480	958	0.66	1029	0.76	1105	0.86	1197	0.97	1378	1.16	1535	1.32	1776	1.67					
1900	2618	1004	0.76	1069	0.87	1143	0.98	1220	1.09	1398	1.30	1555	1.48	1806	1.82					
2000	2756	1050	0.87	1110	0.98	1181	1.10	1246	1.21	1419	1.45	1575	1.65	1837	1.97					
2200	3032	1144	1.14	1199	1.26	1259	1.39	1322	1.51	1465	1.77									
2400	3307	1240	1.46	1289	1.59	1339	1.72	1399	1.86											
2600	3583	1336	1.83	1380	1.97															

FCF12

MODEL NUMBER	SHAFT DIAMETER	POWER RANGE	MAX RPM	TIP SPEED 3.37 X RPM = FPM
FCF12	¾"	2 HP	1800	

CAPACITY	OUTLET VELOCITY	¼" SP		½" SP		¾" SP		1" SP		1 ½" SP		2" SP		3" SP		4" SP				
		CFM	FPM	RPM	BHP	RPM	BHP	RPM	BHP	RPM	BHP	RPM	BHP	RPM	BHP	RPM	BHP	RPM	BHP	
700	813	424	0.05																	
800	929	438	0.06																	
900	1045	457	0.08	•592	•0.11															
1000	1161	476	0.10	601	0.14															
1100	1277	496	0.12	613	0.16	•725	•0.21													
1200	1393	518	0.14	634	0.19	734	0.24													
1300	1509	541	0.17	652	0.23	745	0.27	•837	•0.33											
1400	1625	565	0.20	670	0.27	762	0.32	849	0.38											
1500	1742	589	0.24	689	0.31	782	0.37	860	0.42											
1600	1858	612	0.28	711	0.35	800	0.42	877	0.48	•1026	•0.61									
1700	1974	635	0.32	734	0.41	818	0.48	897	0.55	1038	0.68									
1800	2090	659	0.37	757	0.46	836	0.54	915	0.62	1049	0.75	•1184	•0.91							
1900	2206	683	0.43	780	0.52	858	0.61	933	0.69	1061	0.82	1191	0.99							
2000	2322	708	0.48	803	0.59	880	0.68	951	0.77	1082	0.93	1203	1.08							
2200	2554	757	0.62	851	0.74	926	0.85	992	0.94	1120	1.13	1226	1.27	•1450	•1.67					
2400	2786	807	0.77	897	0.91	972	1.04	1037	1.14	1156	1.35	1268	1.56	1467	1.92					
2600	3019	857	0.96	945	1.11	1020	1.25	1083	1.37	1194	1.59	1304	1.83							
2800	3251	907	1.18	994	1.34	1066	1.49	1130	1.63	1238	1.88									
3000	3483	958	1.43	1043	1.59	1114	1.76	1177	1.92											
3200	3715	1009	1.71	1093	1.88															

• Indicates the approximate maximum static efficiency.

FCF Performance Data

FCF15

MODEL NUMBER	SHAFT DIAMETER	POWER RANGE	MAX RPM	TIP SPEED 4.06 X RPM = FPM
FCF15	1"	5 HP	1200	

CAPACITY	OUTLET VELOCITY	¼" SP		½" SP		¾" SP		1" SP		1 ½" SP		2" SP		3" SP		4" SP		
		CFM	FPM	RPM	BHP	RPM	BHP	RPM	BHP	RPM	BHP	RPM	BHP	RPM	BHP	RPM	BHP	RPM
1300	881	345	0.11															
1400	949	346	0.12															
1500	1016	353	0.13															
1600	1084	364	0.15															
1700	1152	375	0.17															
1800	1220	387	0.20															
1900	1287	400	0.22	•488	•0.32													
2000	1355	412	0.25	491	0.34													
2200	1491	430	0.31	507	0.41													
2400	1626	445	0.37	530	0.49	•598	•0.61											
2600	1762	460	0.44	555	0.58	611	0.70	•691	•0.88									
2800	1897	480	0.52	579	0.69	633	0.81	693	0.96									
3000	2033	501	0.61	599	0.80	657	0.94	705	1.08									
3200	2168	523	0.72	614	0.92	681	1.08	727	1.23	•846	•1.62							
3400	2304	545	0.83	629	1.05	706	1.24	751	1.39	846	1.74							
3600	2439	567	0.96	644	1.18	728	1.41	775	1.58	859	1.91							
3800	2575	590	1.10	662	1.34	743	1.58	799	1.77	876	2.11	•976	•2.57					
4000	2710	613	1.26	683	1.51	759	1.76	824	1.99	900	2.35	982	2.76					
4200	2846	636	1.43	705	1.69	773	1.96	844	2.21	924	2.61	995	3.00					
4400	2981	660	1.62	726	1.89	788	2.16	859	2.44	948	2.88	1013	3.27					
4600	3117	683	1.82	748	2.11	806	2.39	875	2.68	972	3.18	1037	3.59	•1196	•4.67			
4800	3252	707	2.05	770	2.34	827	2.64	889	2.94	997	3.49	1061	3.93	1196	4.90			
5000	3388	731	2.28	792	2.59	848	2.91	904	3.22	1022	3.83	1085	4.29					
5200	3523	755	2.54	815	2.86	869	3.19	919	3.51	1038	4.16	1109	4.67					
5400	3659	779	2.82	837	3.15	891	3.49	939	3.82	1053	4.51							
5600	3794	804	3.12	860	3.47	912	3.81	960	4.16	1069	4.87							
5800	3930	828	3.44	884	3.80	934	4.15	982	4.52									
6000	4065	853	3.78	907	4.16	956	4.52	1003	4.90									
6200	4201	878	4.15	930	4.54	978	4.90											
6400	4336	903	4.53	954	4.94													
6600	4472	929	4.95															

FCF18

MODEL NUMBER	SHAFT DIAMETER	POWER RANGE	MAX RPM	TIP SPEED 4.84 X RPM = FPM
FCF18	1"	5 HP	1200	

CAPACITY	OUTLET VELOCITY	¼" SP		½" SP		¾" SP		1" SP		1 ½" SP		2" SP		3" SP		4" SP		
		CFM	FPM	RPM	BHP	RPM	BHP	RPM	BHP	RPM	BHP	RPM	BHP	RPM	BHP	RPM	BHP	RPM
1300	708	282	0.10															
1400	763	289	0.11															
1500	817	295	0.13															
1600	872	302	0.15															
1700	926	308	0.17															
1800	981	315	0.19	•397	•0.27													
1900	1035	322	0.21	403	0.30													
2000	1090	328	0.23	409	0.33													
2200	1199	342	0.28	423	0.40	•487	•0.50											
2400	1308	357	0.33	436	0.47	498	0.58											
2600	1417	372	0.40	449	0.55	512	0.68	•563	•0.79									
2800	1526	388	0.47	463	0.63	525	0.79	577	0.92									
3000	1635	403	0.55	476	0.73	538	0.90	591	1.05									
3200	1744	420	0.64	490	0.83	551	1.02	604	1.19	•691	•1.47							
3400	1853	437	0.75	505	0.95	564	1.15	617	1.33	705	1.66							
3600	1962	454	0.86	520	1.08	578	1.28	630	1.49	718	1.86	•795	•2.18					
3800	2071	471	0.98	536	1.21	592	1.43	643	1.66	731	2.06	805	2.39					
4000	2180	488	1.12	551	1.37	606	1.59	657	1.83	744	2.27	819	2.65					
4200	2289	506	1.27	567	1.53	621	1.77	671	2.02	758	2.49	833	2.92					
4400	2398	524	1.43	583	1.70	636	1.97	685	2.22	771	2.73	845	3.19	•973	•3.99			
4600	2507	542	1.61	600	1.90	652	2.17	699	2.43	784	2.97	858	3.47	982	4.30			
4800	2616	560	1.80	617	2.10	667	2.39	714	2.67	798	3.23	871	3.76	996	4.68			
5000	2725	578	2.01	634	2.33	683	2.63	729	2.92	811	3.51	885	4.07					
5200	2834	596	2.23	651	2.56	699	2.88	744	3.19	825	3.79	898	4.39					
5400	2943	615	2.48	668	2.82	715	3.15	759	3.47	839	4.09	911	4.73					
5600	3052	633	2.73	686	3.09	732	3.44	775	3.77	853	4.41							
5800	3161	652	3.01	703	3.38	749	3.74	791	4.09	868	4.76							
6000	3270	670	3.31	721	3.68	766	4.07	807	4.42									
6200	3379	689	3.62	739	4.01	783	4.41	823	4.78									
6400	3488	708	3.95	757	4.35	800	4.77											
6600	3597	727	4.31	775	4.73													
6800	3706	746	4.68															

• Indicates the approximate maximum static efficiency.

FCF Performance Data

FCF25

MODEL NUMBER	SHAFT DIAMETER	POWER RANGE	MAX RPM	TIP SPEED
FCF25	1 3/16"	10 HP	1000	6.61 X RPM = FPM

CAPACITY	OUTLET VELOCITY	1/4" SP		1/2" SP		3/4" SP		1" SP		1 1/2" SP		2" SP		3" SP		4" SP		
		CFM	FPM	RPM	BHP	RPM	BHP	RPM	BHP	RPM	BHP	RPM	BHP	RPM	BHP	RPM	BHP	RPM
3000	704	215	0.23	296	0.46													
3200	751	218	0.25	296	0.49													
3400	798	221	0.28	297	0.51													
3600	845	225	0.32	298	0.53													
3800	892	229	0.36	•299	•0.55	362	0.87											
4000	939	233	0.40	301	0.58	363	0.90											
4200	986	238	0.44	303	0.63	364	0.94	419	1.30									
4400	1033	242	0.49	306	0.67	365	0.97	418	1.35									
4600	1080	246	0.54	309	0.72	366	1.00	419	1.39									
4800	1127	250	0.59	313	0.79	•367	•1.04	420	1.43									
5000	1174	255	0.64	317	0.87	370	1.10	421	1.47									
5200	1221	260	0.70	321	0.94	372	1.17	422	1.51	512	2.40							
5400	1268	264	0.76	325	1.02	375	1.24	•423	•1.56	512	2.48							
5600	1315	269	0.82	329	1.11	378	1.31	425	1.62	513	2.54							
5800	1362	273	0.89	333	1.19	382	1.41	427	1.71	514	2.60							
6000	1409	278	0.96	337	1.28	386	1.52	430	1.80	515	2.66	592	3.70					
6200	1456	283	1.03	341	1.38	390	1.63	433	1.89	516	2.73	591	3.80					
6400	1503	288	1.11	346	1.47	394	1.75	435	1.99	517	2.79	592	3.88					
6600	1550	293	1.19	350	1.57	398	1.87	439	2.11	518	2.85	593	3.97					
6800	1597	298	1.27	354	1.68	402	2.00	443	2.25	•519	•2.94	594	4.05					
7000	1644	303	1.37	359	1.78	406	2.12	447	2.40	522	3.07	595	4.13					
7500	1761	317	1.64	370	2.07	416	2.46	457	2.78	529	3.41	•597	•4.34	724	6.91			
8000	1878	331	1.95	382	2.38	427	2.83	467	3.20	536	3.78	602	4.65	726	7.24			
8500	1996	345	2.28	394	2.72	438	3.22	477	3.64	546	4.32	608	5.11	728	7.55			
9000	2113	360	2.63	406	3.09	449	3.64	488	4.12	556	4.89	615	5.58	731	7.86			
9500	2231	375	3.02	418	3.49	461	4.09	499	4.62	566	5.50	624	6.20	•733	•8.18			
10000	2348	390	3.44	431	3.98	473	4.58	510	5.16	576	6.14	634	6.93	739	8.82			
10500	2465	405	3.90	445	4.52	484	5.10	521	5.73	586	6.82	644	7.70	746	9.51			
11000	2583	420	4.41	459	5.11	496	5.65	533	6.33	597	7.53	654	8.52					
11500	2700	436	4.96	474	5.74	509	6.25	545	6.98	608	8.28	664	9.37					
12000	2818	451	5.55	488	6.42	522	6.94	556	7.67	619	9.07							
12500	2935	466	6.18	502	7.11	535	7.72	568	8.40	630	9.90							
13000	3052	481	6.86	517	7.85	549	8.55	580	9.17									
13500	3170	496	7.58	532	8.64	563	9.44	593	9.99									
14000	3287	512	8.36	547	9.48													
14500	3405	527	9.19															

• Indicates the approximate maximum static efficiency.



Est. 1938

Belt Drive Filtered Supply Fans Models AFSI, AFSN and AFSL

Models AFSI, AFSN and AFSL provide a complete roof top package that includes the blower, washable aluminum filters and removable hood. These fans are designed to supply fresh, filtered make-up air to replace air being removed by ventilation systems exhausting fumes, gases and odors from building.



AFSI



AFSN



AFSL

Construction Features

Housing

- Constructed of heavy gauge galvanized steel
- Designed for efficient airflow and maximum weather resistance
- Pre-punched mounting holes reduce installation time
- Platform constructed of heavy gauge galvanized steel

Hood

- AFSN/AFSI - Constructed of heavy gauge steel
- AFSL - Constructed of extruded aluminum louvers with mitered and welded corners
- Insulated with 1" fiberglass to prevent condensation
- Hood held in place with quick release clips allowing easy access to filters and blower
- 1" washable aluminum filters

Blower


- Double width, double inlet blowers for maximum air delivery at higher pressures
- Forward curved galvanized steel wheels dynamically balanced for vibration free operation
- Bearing rated at L₅₀ life of 200,000 hours
- Open dripproof motor with sealed ball bearings designed for continuous operation
- Static free, oil and heat resistant belts
- Adjustable motor pulleys for system balancing

Disconnect Switch

- Standard NEMA 1 toggle switch mounted on blower housing sized for voltage and horsepower requirement (except explosion proof motors)

Options/Accessories

- Roof Curbs
- Dampers
- 2" Aluminum Filters
- Side Discharge (AFSN & AFSL)



U.L. 705 Listed

Consult your Acme representative for availability.



AFSL



AFSN

Acme Engineering & Manufacturing Corporation certifies that Models AFSN and AFSL shown herein are licensed to bear the AMCA seal for air performance. The ratings shown are based on tests and procedures performed in accordance with AMCA Publication 211 comply with the requirements of the AMCA Certified Ratings Program.

Model AFSN also licensed to bear the AMCA seal for sound performance. The ratings shown are based on tests and procedures performed in accordance with AMCA Publication 311 and comply with the requirements of the AMCA Certified Ratings Program.

The A-weighted sound ratings shown have been calculated per AMCA Standard 301. Values shown are for [inlet Lw(A)] sound power levels for Installa-

tion Type B: Free Inlet, Ducted Outlet. Ratings do not include the effects of duct end correction.

The application of sound ratings to various fan installations produces different sound rating requirements. Also, some engineers have preferences for the type of sound rating they want to use. For these reasons, Acme has provided two different sound rating values for the noise produced by each fan. They are shown in the following values:

DECIBELS this is the sound power level in decibels (db) for each of the 8 octave bands to the reference power of 10-12 watt.

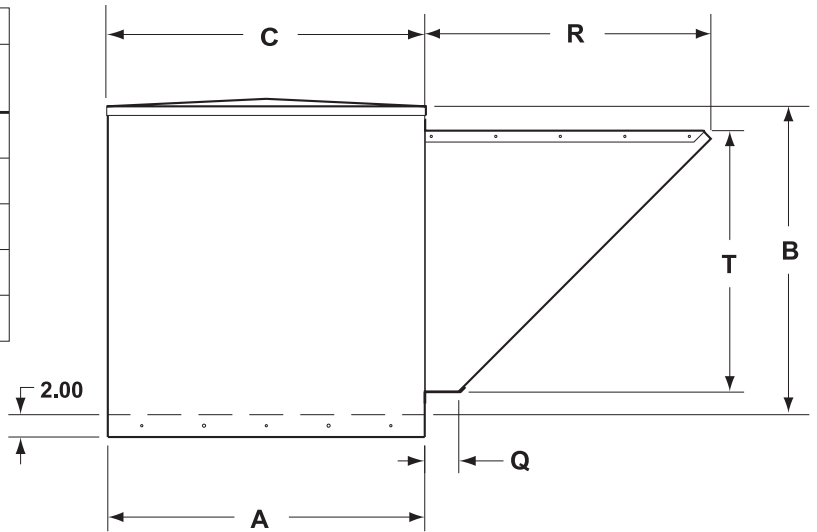
Lw(A) - is a single number sound power level in decibels adjusted to represent the affect of the "A" weighted network on each octave band.

Complete licensed sound rating data is available in Bulletin S20.

AFSI

DIMENSIONS						
Fan Model	A	B	C	R	T	Q
AFSI106	27.88	28.75	28.25	25.27	23.04	3.0
AFSI126	31.86	33.88	32.25	31.45	28.54	3.0
AFSI150	39.85	41.50	40.25	38.00	35.79	3.0
AFSI181	45.97	45.75	46.44	38.00	35.79	3.0
AFSI200	55.96	53.55	56.44	45.11	42.76	3.0

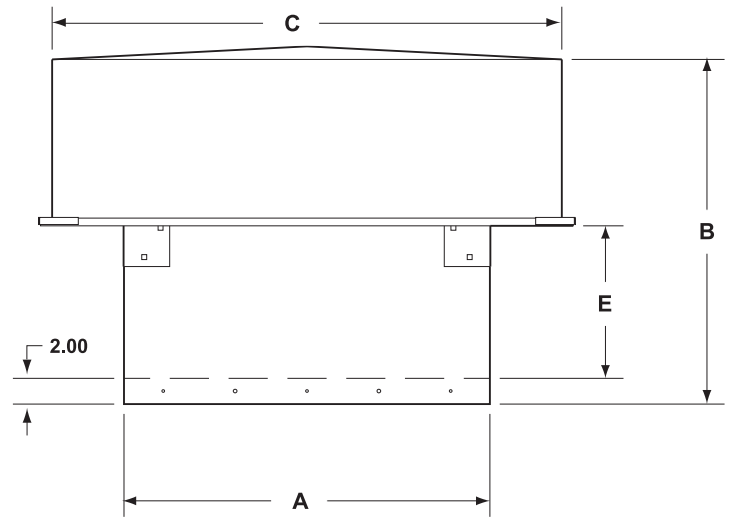
Dimensions are shown in inches.



AFSN

DIMENSIONS				
Fan Model	A	B	C	E
AFSN106	27.87	26.70	39.00	11.68
AFSN126	31.86	35.15	44.00	16.43
AFSN150	39.85	39.45	52.00	18.46
AFSN181	45.97	50.16	61.36	20.20
AFSN200	55.96	58.22	77.49	28.97

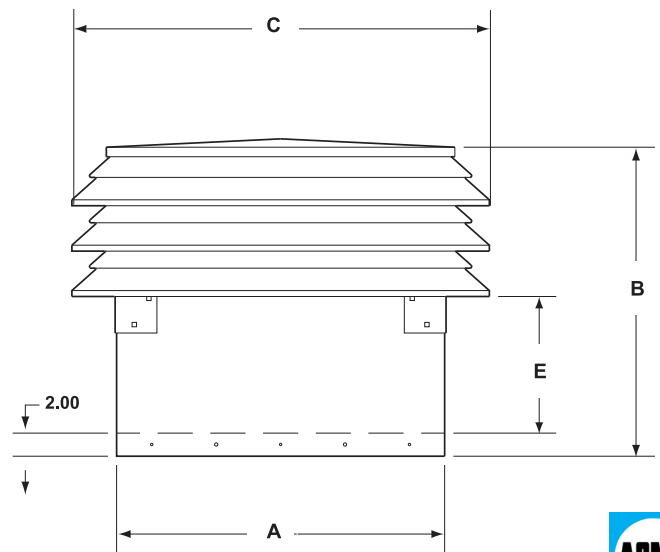
Dimensions are shown in inches.



AFSL

DIMENSIONS				
Fan Model	A	B	C	E
AFSL106	27.87	27.04	35.63	11.69
AFSL126	31.86	36.09	39.63	16.57
AFSL150	39.85	40.25	47.63	18.68
AFSL181	45.97	53.10	53.79	20.80
AFSL200	55.96	61.16	63.91	31.57

Dimensions are shown in inches.



AFSI200

		PERFORMANCE DATA																														
Fan Size HP	CFM	Static Pressure																														
		.000"		.125"		.250"		.375"		.500"		.625"		.750"		1.000"		1.250"		1.500"		1.750"		2.000"		2.250"		2.500"		2.750"		
		RPM		RPM		RPM		RPM		RPM		RPM		RPM		RPM		RPM		RPM		RPM		RPM		RPM		RPM		RPM		
		BHP	LwoA	BHP	LwoA	BHP	LwoA	BHP	LwoA	BHP	LwoA	BHP	LwoA	BHP	LwoA	BHP	LwoA	BHP	LwoA	BHP	LwoA	BHP	LwoA	BHP	LwoA	BHP	LwoA	BHP	LwoA			
200K 1.50	4500											436	0.90	74																		
												406	1.04	74	1.21	76																
												417	1.05	74	1.21	75	1.38	76	1.74	79												
												427	1.43	76	1.61	77	1.81	78	2.20	81	2.62	83	3.03	85								
												440	1.43	76	1.61	77	1.81	78	2.20	81	2.62	83	3.03	85								
												449	1.46	76	1.66	77	1.86	78	2.06	79	2.47	82	2.91	84	3.36	85	3.81	87				
												436	1.72	77	1.91	78	2.13	79	2.34	80	2.78	83	3.22	85	3.71	86	4.19	88	4.67	89		
200L 2.00	7500											436	1.72	77	1.91	78	2.13	79	2.34	80	2.78	83	3.22	85	3.71	86	4.19	88	4.67	89		
												423	1.80	79	2.01	79	2.20	79	2.42	80	2.65	81	3.11	84	3.59	85	4.06	87	4.59	88	5.10	89
												413	1.90	79	2.10	80	2.33	80	2.53	81	2.74	82	3.00	83	3.47	83	3.98	86	4.48	87	5.00	89
200M 3.00	9000											433	2.23	81	2.44	81	2.68	82	2.90	82	3.11	83	3.36	84	3.88	86	4.39	87	4.94	88	5.46	88
												425	2.35	82	2.60	82	2.82	83	3.06	83	3.31	84	3.54	84	3.76	85	4.32	87	4.84	87	5.42	88
												448	2.75	83	3.01	83	3.24	84	3.48	85	3.75	85	4.00	86	4.23	86	4.79	87	5.36	88	5.92	89
200N 5.00	12000											537	4.74	88	5.06	89	5.36	89	5.64	90	5.91	90	6.24	90	6.55	89	7.14	89	7.73	90		
												627	7.53	92	7.91	93																
200P 7.50	14000											627	7.53	92	7.91	93																

The AMCA Certified Ratings Seal for Sound and Air Performance does not apply to model AFSI. Values shown are for outlet LwoA sound power levels for Installation Type B: Free Inlet, Ducted Outlet. Ratings include the effects of duct end correction. Performance shown is for installation type B: Free inlet, Ducted outlet. Performance ratings include the effects of filters in the airstream. Power rating (BHP) does not include drive losses. **Motors and drives are not mounted and are shipped in separate cartons.**

PERFORMANCE DATA																																						
Fan Size HP	CFM	Static Pressure																																				
		.000"		.125"		.250"		.375"		.500"		.750"		1.000"		1.250"		1.500"		1.750"		2.000"		2.250"		2.500"		2.750"		3.000"								
		RPM	LwoA*	RPM	LwoA*	RPM	LwoA*	RPM	LwoA*	RPM	LwoA*	RPM	LwoA*	RPM	LwoA*	RPM	LwoA*	RPM	LwoA*	RPM	LwoA*	RPM	LwoA*	RPM	LwoA*	RPM	LwoA*	RPM	LwoA*	RPM	LwoA*	RPM	LwoA*					
200K 1.50	4000					329	71	374	71																													
	5000					346	72	386	72	459	74																											
	6000					330	74	368	74	404	74	471	75	532	77	589	79																					
	6500					345	75	380	75	415	75	480	76	537	76	593	79	645	82																			
	7000					361	76	394	76	427	76	488	77	545	79	598	80	649	83	696	85																	
	7500					341	77	377	77	409	77	438	77	499	78	554	80	604	81	653	83	700	86	744	88													
	8000					329	78	360	78	393	78	424	79	452	79	510	81	563	82	613	84	658	86	705	88	749	90	790	92	829	94							
	8500					1.31	77	1.47	78	1.66	78	1.86	79	2.06	79	2.29	80	2.54	81	2.81	82	3.08	83	3.36	84	3.64	85	3.92	86	4.21	87	4.50	88	4.79	89	5.08	90	
	9000					1.57	79	1.74	79	1.94	80	2.14	80	2.36	80	2.61	81	2.87	82	3.14	83	3.43	84	3.71	85	3.99	86	4.28	87	4.57	88	4.86	89	5.15	90	5.44	91	
	9500					1.87	80	2.05	81	2.25	81	2.45	81	2.69	82	2.95	83	3.23	84	3.52	85	3.82	86	4.11	87	4.41	88	4.71	89	5.01	90	5.31	91	5.61	92	5.91	93	
200L 2.00	9000					370	81	398	81	427	81	455	82	482	82	532	83	583	84	630	86	675	87	717	88	758	89	799	90	838	91	875	92	910	93			
	9500					390	82	417	82	444	82	472	83	498	83	545	84	594	85	640	86	684	87	725	88	764	89	803	90	842	91	879	92	916	93			
200M 3.00	10000					2.20	81	2.39	82	2.59	82	2.81	83	3.05	83	3.33	84	3.61	85	3.90	86	4.19	87	4.48	88	4.77	89	5.06	90	5.35	91	5.64	92	5.93	93			
	10000					411	83	436	83	461	83	488	84	513	84	560	85	606	86	651	87	693	88	734	89	773	90	809	91	846	92							
200N 5.00	11000					2.56	83	2.76	83	2.96	83	3.21	84	3.44	84	3.96	85	4.49	86	5.04	86	5.58	87	6.19	88	6.77	89	7.34	90	7.96	91							
	12000					452	85	475	85	497	85	522	86	546	86	590	87	631	88	673	89	714	89	752	90	790	91											
200P 7.50	13000					493	87	514	87	535	87	556	88	579	88	621	89	660	90	696	90	736	91															
	14000					534	89	554	89	573	89	591	89	613	90	653	90	691	91																			

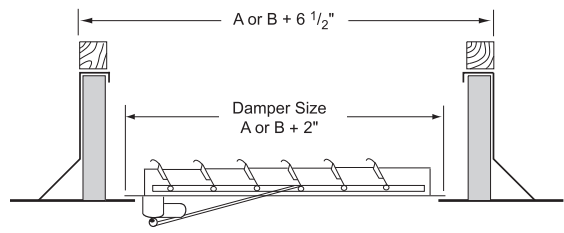
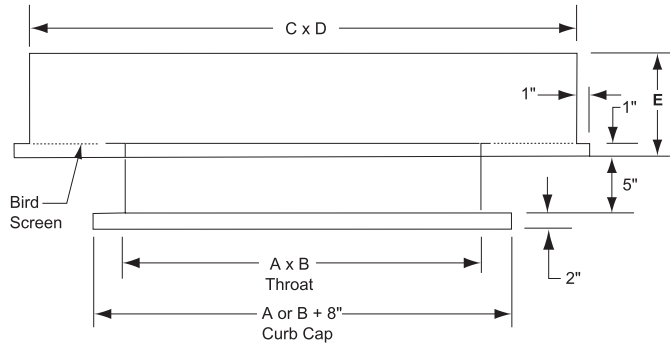
The A-weighted sound ratings shown have been calculated per AMCA Standard 301. Values shown are for outlet LwoA sound power levels for Installation Type B: Free Inlet, Ducted Outlet. Ratings include the effects of duct end correction. **+LwoA shown reflects levels for Model AFSN only. Subtract 1 db to find LwoA for Model AFSL.** Performance certified is for installation Type B: Free inlet, Ducted outlet. Performance ratings include the effects of filters. Power rating (BHP) does not include transmission losses.

For more information on this product contact your sales support.

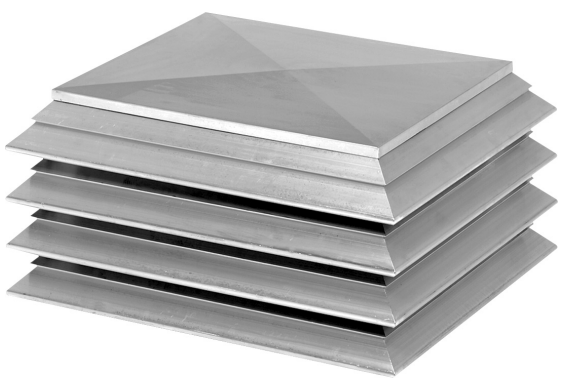




EV/IV



Curb for EV/IV and LEV/LIV



LEV/LIV

Construction Features

- Hood and base constructed of heavy gauge aluminum
- Rigid structural aluminum braced for extra strength
- Birdscreen constructed of heavy gauge galvanized steel wire mesh
- Miter cut and welded curb base for extra strength and water tightness

EV/IV

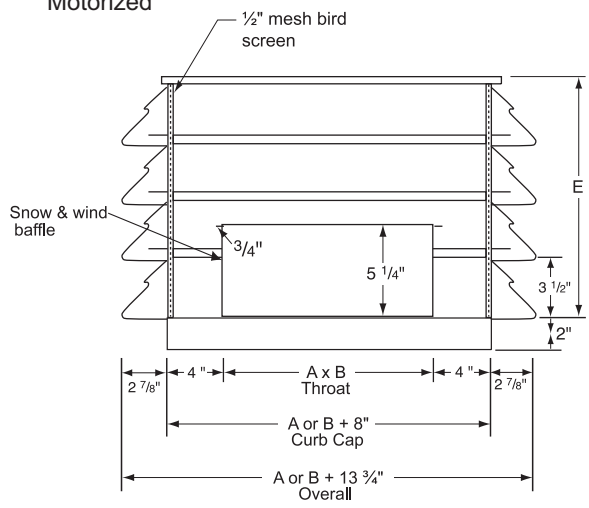
- Models EV and IV are low silhouette exhaust (EV) and intake (IV) ventilators
- Full 360° perimeter hood opening for greater air flow performance
- Deep hood design for protection from blowing rain and snow

LEV/LIV

- Models LEV and LIV are multi-tier louvered exhaust (LEV) and intake (LIV) ventilators
- Vertical snow and storm baffle on base to guard against driven rain and snow
- Extruded aluminum louvers miter cut and welded at each corner.

Options/Accessories

- Hinged Hood
- Insulated Hood
- Insect Screens
- Aluminum Birdscreen
- Coatings
- Galvanized Steel Construction (EV/IV only)
- 100 MPH Construction
- Filters
- Exhaust Relief Type
 - AR Damper
 - Automatic counter balanced
 - Manual operated
 - Motorized
- Air Intake Type
 - WAGC Damper
 - Manual operated
 - Motorized



MODEL EV - GRAVITY EXHAUST VENTILATORS



Roof Vents

Throat Size A x B	Curb Cap	Hood Size			CFM @ IN. W.G.			Throat Size A x B	Curb Cap	Hood Size			CFM @ IN. W.G.			Throat Size A x B	Curb Cap	Hood Size			CFM @ IN. W.G.		
		C	D	E	.050"	.125"	.250"			C	D	E	.050"	.125"	.250"			C	D	E	.050"	.125"	.250"
28 x 72	36 x 80	45	89	13	7476	11821	16718	40						54									
28 x 80	36 x 88	46	98	13	7862	12431	17580	40 x 42	48 x 50	57	59	15	6974	11027	15595	54 x 54	62 x 62	77	77	19	11319	17897	25310
28 x 84	36 x 92	46	102	13	8490	13425	18985	40 x 48	48 x 56	59	67	15	7813	12353	17470	54 x 60	62 x 68	79	85	19	12075	19092	27000
28 x 96	36 x 104	47	115	13	9202	14549	20576	40 x 54	48 x 62	59	73	15	8385	13258	18750	54 x 66	62 x 74	79	91	19	12951	20478	28960
28 x 108	36 x 116	48	128	13	10160	16065	22719	40 x 60	48 x 68	60	80	15	8944	14142	20000	54 x 72	62 x 80	80	98	19	13853	21904	30977
28 x 120	36 x 128	48	140	13	11423	18062	25543	40 x 66	48 x 74	61	87	15	9593	15167	21450	54 x 80	62 x 88	81	107	19	14866	23505	33242
30							40 x 72	48 x 80	62	94	15	10465	16546	23400	54 x 84	62 x 92	82	112	19	15706	24834	35120	
30 x 30	38 x 38	43	43	13	3893	6156	8706	40 x 80	48 x 88	63	103	15	11230	17755	25110	54 x 96	62 x 104	83	125	19	17388	27492	38880
30 x 36	38 x 44	44	50	13	4537	7174	10145	40 x 84	48 x 92	64	108	15	11411	18082	25515	54 x 108	62 x 116	85	139	19	19154	30285	42830
30 x 40	38 x 48	45	55	13	4884	7722	10920	40 x 96	48 x 108	64	120	15	12880	20365	28800	54 x 120	62 x 128	86	152	19	21131	33411	47250
30 x 42	38 x 50	45	57	13	5125	8103	11460	40 x 108	48 x 116	65	133	15	14515	22950	32456	60							
30 x 48	38 x 56	46	64	13	5745	9083	12846	40 x 120	48 x 128	66	146	15	16319	25802	36490	60 x 60	68 x 68	86	86	21	13156	20801	29417
30 x 54	38 x 62	47	71	13	6166	9749	13787	42						60 x 66	68 x 74	87	93	21	14387	22748	32170		
30 x 60	38 x 68	48	78	13	6708	10607	15000	42 x 42	50 x 50	59	59	15	7178	11349	16050	60 x 72	68 x 80	88	100	21	15392	24337	34418
30 x 66	38 x 74	48	84	13	7196	11377	16090	42 x 48	50 x 56	61	67	15	8202	12968	18340	60 x 80	64 x 88	89	109	21	16847	26637	37670
30 x 72	38 x 80	49	91	13	7696	12169	17209	42 x 54	50 x 62	62	74	15	8806	13923	19690	60 x 84	68 x 92	90	114	21	17450	27591	39020
30 x 80	38 x 88	49	99	13	8258	13056	18464	42 x 60	50 x 68	64	82	15	9585	15155	21433	60 x 96	68 x 104	91	127	21	19320	30547	43200
30 x 84	38 x 92	50	104	13	8725	13796	19510	42 x 66	50 x 74	65	89	15	10071	15924	22520	60 x 108	68 x 116	93	141	21	20918	33074	46774
30 x 96	38 x 104	50	116	13	9859	15588	22045	42 x 72	50 x 80	65	95	15	10988	17374	24570	60 x 120	68 x 128	94	154	21	23023	36402	51480
30 x 108	38 x 116	51	129	13	10886	17212	24342	42 x 80	50 x 88	66	104	15	11793	18646	26370	66							
30 x 120	38 x 128	52	142	13	12239	19352	27368	42 x 84	50 x 92	66	108	15	12470	19717	27883	66 x 66	74 x 74	94	94	21	15831	25032	35400
36							42 x 96	50 x 104	67	121	15	13803	21824	30864	66 x 72	74 x 80	94	102	21	17267	27301	38610	
36 x 36	44 x 44	52	52	15	5558	8788	12427	42 x 108	50 x 116	68	134	15	14932	23610	33390	66 x 80	74 x 88	94	113	21	18168	28727	40625
36 x 40	44 x 48	53	57	15	5979	9454	13370	42 x 120	50 x 128	69	147	15	16435	25986	36750	66 x 84	74 x 92	97	115	21	19199	30356	42930
36 x 42	44 x 50	53	59	15	6276	9923	14034	48						66 x 96	74 x 104	97	131	21	21252	33602	47520		
36 x 48	44 x 56	54	66	15	7175	11345	16044	48 x 48	56 x 56	68	68	17	9192	14533	20553	66 x 108	74 x 116	97	147	21	23465	37102	52470
36 x 54	44 x 62	55	73	15	7549	11936	16880	48 x 54	56 x 62	70	76	17	10062	15910	22500	66 x 120	74 x 128	96	165	21	26359	41677	58941
36 x 60	44 x 68	56	80	15	8050	12728	18000	48 x 60	56 x 68	71	83	17	10733	16971	24000	72							
36 x 66	44 x 74	56	86	15	8809	13929	19698	48 x 66	56 x 74	72	90	17	11511	18201	25740	72 x 72	80 x 80	96	110	21	19731	31198	44120
36 x 72	44 x 80	57	93	15	9613	15199	21494	48 x 72	56 x 80	73	97	17	12558	19856	28080	72 x 80	80 x 88	96	120	21	20631	32620	46132
36 x 80	44 x 88	58	102	15	10107	15981	22600	48 x 80	56 x 88	74	106	17	13475	21305	30130	72 x 84	80 x 92	96	126	21	20943	33114	46830
36 x 84	44 x 92	58	106	15	10469	16553	23410	48 x 84	56 x 92	75	111	17	13962	22076	31220	72 x 96	80 x 104	96	143	21	22733	35945	50833
36 x 96	44 x 104	59	119	15	11367	17972	25417	48 x 96	56 x 104	75	123	17	15456	24438	34560	72 x 108	80 x 116	96	163	21	25599	40475	57240
36 x 108	44 x 116	60	132	15	13063	20655	29210	48 x 108	56 x 116	77	137	17	17418	27540	38947	72 x 120	80 x 128	96	180	21	28174	44548	63000
36 x 120	44 x 128	60	144	15	14378	22733	32150	48 x 120	56 x 128	78	150	17	19170	30311	42866								

Exhaust/Relief Ventilators have a 1 to 1 ratio of hood perimeter opening to throat area. Maximum design air velocity is 1200 fpm.

MODEL IV - FRESH AIR INTAKE VENTILATORS



Roof Vents

Throat Size A x B	Curb Cap	Hood Size			CFM @ IN. W.G.			Throat Size A x B	Curb Cap	Hood Size			CFM @ IN. W.G.			Throat Size A x B	Curb Cap	Hood Size			CFM @ IN. W.G.		
		C	D	E	.05"	.10"	.20"			C	D	E	.05"	.10"	.20"			C	D	E	.05"	.10"	.20"
28 x 72	36 x 80	59	103	13	9135	12919	18270	40						54									
28 x 80	36 x 88	60	112	13	9630	13619	19260	40 x 40	48 x 48	70	70	17	7051	9971	14102	54 x 54	62 x 62	95	95	23	11865	16779	23729
28 x 84	36 x 92	61	117	13	10655	15068	21310	40 x 42	48 x 50	71	73	17	7640	10805	15280	54 x 60	62 x 68	97	103	23	13197	18664	26395
28 x 96	36 x 104	63	131	13	12150	17183	24300	40 x 48	48 x 56	73	81	17	8267	11691	16533	54 x 66	62 x 74	98	110	23	14391	20352	28783
28 x 108	36 x 116	64	144	13	13650	19304	27300	40 x 54	48 x 62	74	88	17	9588	13560	19176	54 x 72	62 x 80	98	121	23	15697	22199	31394
28 x 120	36 x 128	65	157	13	16049	22696	32097	40 x 60	48 x 68	76	96	17	10407	14718	20814	54 x 80	62 x 88	98	133	23	17397	24603	34793
30							40 x 66	48 x 74	77	103	17	11451	16194	22902	54 x 84	62 x 92	98	140	23	18833	26633	37665	
30 x 30	38 x 38	53	53	13	4207	5949	8413	40 x 72	48 x 80	79	111	17	12687	17942	25373	54 x 96	62 x 104	98	160	23	21737	30740	43473
30 x 36	38 x 44	55	61	13	4792	6776	9583	40 x 80	48 x 88	81	121	17	13773	19478	27546	54 x 108	62 x 116	98	179	23	23456	33172	46913
30 x 40	38 x 48	55	65	13	5455	7715	10910	40 x 84	48 x 92	83	127	17	14459	20448	28919	54 x 120	62 x 128	111	177	23	25858	36569	51716
30 x 42	38 x 50	57	69	13	5616	7943	11233	40 x 96	48 x 104	83	139	17	16524	23368	33047	60							
30 x 48	38 x 56	57	76	13	6343	8971	12687	40 x 108	48 x 116	85	153	17	18593	26294	37185	60 x 60	68 x 68	95	115	25	14534	20555	29069
30 x 54	38 x 62	60	84	13	7350	10394	14700	40 x 120	48 x 128	87	167	17	21585	30526	43170	60 x 66	68 x 74	96	124	25	16001	22629	32003
30 x 60	38 x 68	61	91	13	8175	11561	16350	42						60 x 72	68 x 80	109	121	25	17397	24603	34793		
30 x 66	38 x 74	62	98	13	8788	12428	17576	42 x 42	50 x 50	74	74	18	7832	11076	15663	60 x 80	68 x 88	111	131	25	19306	27303	38612
30 x 72	38 x 80	63	105	13	9840	13916	19680	42 x 48	50 x 56	76	82	18	8229	11637	16457	60 x 84	68 x 92	113	137	25	20268	28663	40535
30 x 80	38 x 88	64	114	13	10613	15009	21226	42 x 54	50 x 62	78	90	18	9835	13909	19670	60 x 96	68 x 104	115	151	25	23166	32761	46331
30 x 84	38 x 92	65	119	13	11420	16150	22840	42 x 60	50 x 68	80	98	18	10965	15507	21930	60 x 108	68 x 116	118	166	25	25961	36714	51921
30 x 96	38 x 104	66	132	13	13050	18455	26100	42 x 66	50 x 74	82	106	18	12023	17003	24046	60 x 120	68 x 128	118	184	25	28175	39846	56351
30 x 108	38 x 116	67	145	13	14550	20577	29100	42 x 72	50 x 80	83	113	18	13209	18680	26418	66							
30 x 120	38 x 128	69	159	13	16570	23433	33139	42 x 80	50 x 88	84	122	18	13844	19578	27687	66 x 66	74 x 74	98	134	25	17468	24704	34936
36							42 x 84	50 x 92	84	126	18	14537	20559	29075	66 x 72	74 x 80	117	123	25	18681	26419	37363	
36 x 36	44 x 44	63	63	15	5425	7672	10850	42 x 96	50 x 104	87	141	18	16972	24001	33943	66 x 80	74 x 88	117	135	25	21234	30029	42467
36 x 40	44 x 48	64	68	15	6392	9040	12784	42 x 108	50 x 116	89	155	18	19451	27507	38901	66 x 84	74 x 92	117	142	25	22298	31534	44596
36 x 42	44 x 50	66	72	15	6900	9758	13800	42 x 120	50 x 128	91	169	18	21605	30555	43211	66 x 96	74 x 104	117	162	25	25482	36037	50964
36 x 48	44 x 56	67	79	15	7437	10518	14874	48						66 x 108	74 x 116	127	169	25	27890	39443	55781		
36 x 54	44 x 62	69	87	15	8750	12374	17500	48 x 48	56 x 56	84	84	20	9192	14533	20553	66 x 120	74 x 128	130	184	25	30872	43660	61745
36 x 60	44 x 68	70	94	15	9875	13965	19750	48 x 54	56 x 62	87	93	20	10062	15910	22500	72							
36 x 66	44 x 74	71	101	15	10805	15281	21610	48 x 60	56 x 68	88	100	20	10733	16971	24000	72 x 72	80 x 80	117	137	25	20370	28807	40739
36 x 72	44 x 80	72	108	15	11750	16617	23500	48 x 66	56 x 74	89	107	20	11511	18201	25740	72 x 80	80 x 88	128	136	28	22716	32125	45432
36 x 80	44 x 88	74	117	15	12443	17597	24885	48 x 72	56 x 80	92	116	20	12558	19856	28080	72 x 84	80 x 92	130	142	29	24324	34399	48648
36 x 84	44 x 92	75	123	15	12775	18067	25551	48 x 80	56 x 88	94	126	20	13475	21305	30130	72 x 96	80 x 104	133	157	29	27259	38550	54518
36 x 96	44 x 104	77	137	15	14874	21035	29748	48 x 84	56 x 92	95	131	20	13962	22076	31220	72 x 108	80 x 116	136	172	29	30311	42866	60622
36 x 108	44 x 116	78	150	15	16690	23604	33381	48 x 96	56 x 104	96	144	20	15456	24438	34560	72 x 120	80 x 128	139	187	29	33679	47629	67358
36 x 120	44 x 128	79	165	15	19400	27436	38800	48 x 108	56 x 116	95	165	20	17418	27540	38947								
								48 x 120	56 x 128	97	178	20	19170	30311	42866								

Fresh Air Intake Ventilators have a 2 to 1 ratio of hood perimeter opening to throat area. Maximum design velocity through the hood opening is only 600 fpm to reduce entrainment of rain or snow in incoming air. The maximum throat design velocity is 1200 fpm.

MODELS LEV AND LIV- LOUVERED EXHAUST/INTAKE VENTILATORS

Throat Size A x B	Number of Tiers and Height in Inches (E)																			
	3 10.5	4 14.0	5 17.5	6 21.0	7 24.5	8 28.0	9 31.5	10 35.0	11 38.5	12 42.0	13 45.5	14 49.0	15 52.5	16 56.0	17 59.5	18 63.0	19 66.5	20 70.0		
12 x 12	1199	1225	1238	1245																
12 x 14	1382	1419	1438	1448																
12 x 16	1562	1611	1636	1649																
12 x 18	1737	1800	1832	1850	1861															
12 x 20	1909	1987	2026	2049	2063															
12 x 24	2244	2354	2411	2444	2464															
12 x 30	2729	2892	2979	3029	3061	3082														
12 x 36	3197	3418	3538	3608	3652	3682														
12 x 42	3653	3935	4089	4181	4240	4279														
12 x 48	4101	4444	4635	4750	4823	4873														
14 x 14	1590	1642	1668	1682	1691	1697														
14 x 16	1791	1860	1895	1915	1927	1935														
14 x 18	1987	2075	2120	2146	2162	2172														
14 x 20	2178	2286	2342	2375	2395	2408	2417													
14 x 24	2548	2700	2781	2828	2857	2877	2890													
14 x 30	3078	3303	3425	3497	3543	3573	3595													
14 x 36	3587	3888	4055	4156	4220	4264	4294	4316												
14 x 42	4080	4459	4675	4807	4891	4949	4989	5019												
14 x 48	4561	5021	5287	5451	5557	5629	5681	5718												
16 x 16	2012	2104	2151	2178	2194	2205	2213	2219												
16 x 18	2227	2343	2403	2438	2460	2474	2484	2491												
16 x 20	2435	2577	2652	2696	2723	2741	2754	2763												
16 x 24	2835	3034	3141	3205	3245	3272	3290	3304	3314											
16 x 30	3404	3694	3856	3953	4016	4058	4087	4109	4125											
16 x 36	3945	4331	4552	4687	4775	4835	4877	4908	4931											
16 x 42		4950	5234	5410	5525	5604	5660	5701	5732	5756										
16 x 48		5556	5905	6123	6268	6367	6438	6490	6530	6560										
18 x 18	2458	2604	2682	2727	2755	2774	2787	2797	2804	2809										
18 x 20	2681	2860	2956	3013	3048	3072	3089	3101	3110	3117										
18 x 24	3107	3356	3493	3575	3627	3662	3687	3705	3718	3729	3737									
18 x 30	3709	4067	4273	4398	4480	4535	4574	4603	4624	4641	4654									
18 x 36	4277	4750	5029	5203	5317	5395	5451	5492	5523	5546	5565									
18 x 42		5410	5767	5992	6142	6245	6319	6374	6415	6447	6472	6492								
18 x 48		6055	6490	6770	6957	7087	7181	7250	7302	7343	7375	7401								
18 x 54			7202	7537	7763	7922	8036	8121	8185	8236	8275	8307								
20 x 20	2917	3135	3254	3325	3370	3400	3421	3436	3448	3457	3464	3469								
20 x 24	3367	3667	3836	3938	4004	4049	4080	4103	4120	4133	4144	4152								
20 x 30	3996	4425	4677	4834	4936	5006	5055	5092	5119	5140	5157	5170	5181							
20 x 36		5148	5488	5704	5847	5946	6017	6069	6108	6139	6163	6182	6198							
20 x 42		5844	6276	6555	6743	6873	6967	7037	7090	7131	7163	7189	7210	7228						
20 x 48		6521	7046	7391	7625	7789	7908	7996	8064	8116	8158	8191	8219	8241						
20 x 54			7802	8214	8496	8696	8841	8950	9032	9097	9148	9190	9223	9251						
24 x 24		4263	4501	4649	4745	4811	4857	4892	4917	4937	4953	4965	4976	4984						
24 x 30		5101	5452	5676	5825	5928	6002	6057	6098	6130	6155	6176	6192	6206						
24 x 36		5891	6359	6666	6874	7019	7125	7203	7263	7309	7346	7376	7400	7420	7436					
24 x 42			7234	7627	7898	8090	8230	8335	8415	8477	8527	8567	8600	8627	8649					
24 x 48			8082	8565	8902	9143	9320	9453	9555	9635	9699	9751	9793	9827	9857	9881				
24 x 54			8911	9485	9890	10182	10398	10561	10687	10785	10864	10928	10980	11023	11060	11090				
24 x 60			9725	10390	10864	11209	11465	11659	11810	11928	12023	12099	12162	12215	12258	12296				
30 x 30		6036	6543	6878	7107	7269	7386	7474	7540	7592	7633	7667	7694	7716	7735	7751				
30 x 36		6901	7568	8023	8339	8566	8733	8859	8955	9031	9091	9139	9179	9212	9239	9262				
30 x 42			8544	9121	9531	9829	10050	10217	10347	10448	10530	10596	10650	10695	10732	10764	10791			
30 x 48			9484	10184	10690	11062	11340	11553	11718	11849	11953	12038	12108	12166	12215	12257	12292			
30 x 54			10394	11219	11823	12271	12610	12870	13073	13234	13364	13469	13556	13629	13690	13741	13786			
30 x 60				12232	12934	13461	13861	14171	14413	14607	14763	14890	14995	15083	15157	15219	15273	15319		
30 x 66				13226	14028	14634	15098	15458	15742	15968	16152	16302	16426	16529	16617	16691	16755	16810		
30 x 72					15108	15794	16322	16734	17060	17321	17532	17706	17850	17970	18072	18158	18232	18296		
36 x 36		7824	8688	9297	9732	10049	10286	10466	10605	10715	10802	10874	10932	10981	11021	11056	11085	11111		
36 x 42			9743	10508	11066	11480	11792	12031	12218	12367	12486	12583	12663	12729	12785	12833	12873	12908		
36 x 48			10749	11670	12353	12867	13259	13563	13801	13991	14145	14270	14374	14460	14533	14595	14648	14694		
36 x 54			11719	12793	13604	14220	14695	15065	15358	15592	15782	15938	16067	16175	16266	16344	16411	16468		
36 x 60				13887	14824	15544	16104	16543	16892	17173	17401	17589	17746	17877	17987	18082	18163	18233		
36 x 66				14957	16020	16845	17490	18000	18407	18736	19005	19227	19411	19566	19698	19810	19906	19990		
36 x 72					17195	18125	18858	19440	19906	20285	20595	20851	21065	21245	21398	21529	21641	21739		
36 x 80					18738	19808	20657	21336	21884	22330	22697	23001	23256	23470	23653	23809	23944	24061		
36 x 84						20639	21547	22275	22864	23345	23741	24069	24345	24577	24775	24945	25091	25218		

**CFM @
0.15" w.g.**

Roof Vents

Selections to right of bold line suitable for intake (perimeter velocity 600 fpm or less).



MODELS LEV AND LIV - LOUVERED EXHAUST/INTAKE VENTILATORS

Roof Vents

Throat Size A x B	Number of Tiers and Height in Inches (E)																		
	3 10.5	4 14.0	5 17.5	6 21.0	7 24.5	8 28.0	9 31.5	10 35.0	11 38.5	12 42.0	13 45.5	14 49.0	15 52.5	16 56.0	17 59.5	18 63.0	19 66.5	20 70.0	
42 x 42				11812	12523	13059	13470	13788	14039	14239	14401	14533	14643	14734	14811	14877	14933	14981	
42 x 48					13919	14581	15094	15496	15815	16072	16280	14651	16593	16713	16813	16899	16973	17036	
42 x 54					15266	16056	16675	17164	17555	17871	18129	18342	18519	18668	18794	18902	18995	19075	
42 x 60							18219	18797	19263	19641	19951	20208	20422	20603	20756	20888	21001	21099	
42 x 66							19732	20402	20943	21385	21750	22052	22306	22520	22702	22858	22993	23110	
42 x 72							21220	21981	22601	23109	23529	23879	24173	24422	24634	24816	24973	25110	
42 x 80								24056	24781	25378	25874	26289	26639	26936	27189	27408	27596	27761	
42 x 84								25081	25859	26502	27037	27485	27863	28185	28460	28696	28902	29080	
42 x 96									29839	30492	31041	31507	31904	32245	32540	32795	33018		
48 x 48				14363	15408	16221	16860	17366	17771	18099	18367	18589	18773	18929	19060	19173	19270	19353	
48 x 54					16836	17801	18568	19182	19677	20081	20413	20688	20918	21113	21278	21420	21542	21647	
48 x 60					18216	19333	20230	20953	21541	22023	22422	22754	23032	23268	23470	23642	23791	23921	
48 x 66						20826	21852	22686	23369	23932	24399	24790	25119	25399	25638	25844	26021	26176	
48 x 72							23441	24387	25166	25812	26350	26801	27183	27508	27786	28026	28234	28415	
48 x 80							25518	26614	27523	28280	28914	29449	29903	30290	30623	30910	31160	31378	
48 x 84								27712	28686	29499	30182	30760	31250	31670	32030	32342	32614	32851	
48 x 96								30957	32127	33111	33943	34649	35252	35770	36217	36605	36943	37240	
48 x 108										36664	37646	38485	39203	39823	40359	40825	41233	41590	
54 x 54				16913	18334	19474	20391	21133	21736	22232	22642	22984	23272	23515	23723	23901	24055	24189	
54 x 60					19776	21088	22156	23027	23742	24333	24824	25236	25584	25880	26133	26351	26539	26703	
54 x 66						22655	23872	24874	25702	26390	26966	27451	27862	28212	28512	28771	28996	29193	
54 x 72							25548	26681	27623	28411	290723	29632	30108	30514	30864	31167	31430	31660	
54 x 80							27732	29039	30134	31056	31834	32496	33060	33545	33963	34326	34642	34920	
54 x 84								30199	31371	32360	33198	33911	34521	35045	35499	35892	36236	36537	
54 x 96									35020	36212	37229	38100	38848	39495	40057	40546	40974	41351	
54 x 108										39990	41187	42218	43108	43881	44553	45141	45657	46112	
54 x 120										43709	45088	46280	47314	48214	49000	49689	50296	50831	
54 x 144												54279	55603	56762	57780	58676	59468	60170	
60 x 60				19442	21270	22774	24012	25032	25877	26580	27169	27664	28085	28444	28752	29018	29249	29450	
60 x 66					22712	24405	25811	26981	27957	28774	29462	30045	30541	30965	31331	31648	31924	32165	
60 x 72						25990	27563	28882	29989	30922	31711	32383	32957	33450	33876	34245	34568	34851	
60 x 80							29839	31354	32637	33725	34652	35445	36125	36712	37221	37664	38052	38392	
60 x 84							30955	32568	33938	35105	36101	36955	37689	38324	38875	39356	39777	40148	
60 x 96								36136	37768	39169	40374	41413	42313	43095	43776	44373	44898	45361	
60 x 108									41507	43142	44556	45784	46851	47783	48599	49316	49948	50507	
60 x 120										47044	48669	50085	51322	52405	53357	54197	54938	55597	
60 x 144										54693	56736	58529	60108	61499	62728	63817	64784	65646	
66 x 66						26091	27684	29021	30145	31093	31896	32580	33164	33677	34101	34479	34808	35097	
66 x 72							29502	31005	32278	33358	34277	35064	35740	36323	36828	37268	37654	37992	
66 x 80								33578	35048	36305	37382	38308	39108	39801	40405	40932	41395	41803	
66 x 84								34839	36406	37751	38908	39905	40768	41517	42171	42743	43245	43689	
66 x 96									40395	42003	43398	44608	45663	46584	47390	48100	48726	49280	
66 x 108										46148	47779	49205	50453	51548	52512	53363	54117	54786	
66 x 120										50209	52077	53718	55161	56432	57555	58550	59434	60221	
66 x 144										58147	60484	62553	64387	66014	67459	68747	69897	70925	
72 x 72						29405	31380	33064	34501	35729	36781	37685	38465	39140	39728	40242	40692	41089	
72 x 80								35728	37382	38806	40035	41098	42020	42822	43523	44138	44679	45157	
72 x 84								37029	38792	40314	41632	42774	43768	44635	45393	46060	46648	47168	
72 x 96									42920	44734	46318	47701	48912	49975	50910	51736	52467	53117	
72 x 108									46927	49030	50877	52501	53932	55193	56309	57298	58177	58960	
72 x 120									50843	53229	55338	57203	58853	60314	61612	62767	63796	64716	
72 x 144									58476	61418	64043	66384	68471	70334	71999	73490	74826	76027	
84 x 84								41219	43362	45236	46875	48310	49570	50677	51653	52516	53281	53962	
84 x 96										49946	51903	53631	55158	56510	57708	58775	59725	60573	
84 x 108										54497	56767	58785	60580	62177	63602	64875	66013	67035	
84 x 120											61504	63809	65870	67714	69365	70846	72176	73374	
84 x 144											70701	73569	76155	78487	80592	82492	84210	85765	

Selections to right of bold line suitable for intake (perimeter velocity 600 fpm or less).

MODELS LEV AND LIV - LOUVERED EXHAUST/INTAKE VENTILATORS

Roof Vents

Table with columns for Throat Size A x B, Number of Tiers and Height in Inches (E), and CFM values for various throat sizes and tier counts.

CFM @ 0.05" w.g.

Selections to right of bold line suitable for intake (perimeter velocity 600 fpm or less).



MODELS LEV AND LIV - LOUVERED EXHAUST/INTAKE VENTILATORS

Throat Size A x B	Number of Tiers and Height in Inches (E)																			
	3 10.5	4 14.0	5 17.5	6 21.0	7 24.5	8 28.0	9 31.5	10 35.0	11 38.5	12 42.0	13 45.5	14 49.0	15 52.5	16 56.0	17 59.5	18 63.0	19 66.5	20 70.0		
42 x 42				6820	7230	7540	7777	7961	8105	8221	8314	8391	8454	8507	8551	8589	8622	8650		
42 x 48					8036	8419	8715	8947	9131	9279	9399	9498	9580	9649	9707	9757	9799	9836		
42 x 54					8814	9270	9627	9910	10135	10318	10467	10590	10692	10778	10851	10913	10967	11013		
42 x 60							10519	10853	11121	11340	11519	11667	11791	11895	11984	12060	12125	12181		
42 x 66							11392	11779	12092	12347	12557	12732	12878	13002	13107	13197	13275	13343		
42 x 72							12251	12691	13049	13342	13584	13786	13956	14100	14222	14327	14418	14497		
42 x 80								13889	14307	14652	14938	15178	15380	15551	15698	15824	15933	16028		
42 x 84								14481	14930	15301	15610	15868	16087	16272	16431	16568	16686	16789		
42 x 96									17227	17604	17922	18191	18420	18617	18787	18934	19063			
48 x 48				8293	8896	9365	9734	10026	10260	10450	10604	10732	10839	10929	11005	11069	11125	11174		
48 x 54					9720	10278	10720	11075	11361	11594	11785	11944	12077	12189	12285	12367	12437	12498		
48 x 60					10517	11162	11680	12097	12437	12715	12945	13137	13298	13434	13550	13650	13736	13811		
48 x 66						12024	12616	13098	13492	13817	14087	14313	14503	14664	14802	14921	15023	15113		
48 x 72							13534	14080	14530	14902	15213	15474	15694	15882	16042	16181	16301	16405		
48 x 80							14733	15366	15890	16327	16693	17002	17264	17488	17680	17846	17990	18116		
48 x 84								16000	16562	17031	17426	17759	18042	18285	18493	18673	18830	18966		
48 x 96								17873	18548	19116	19597	20005	20353	20652	20910	21134	21329	21500		
48 x 108									21168	21735	22219	22634	22992	23301	23570	23806	24012			
54 x 54				9765	10585	11243	11773	12201	12550	12836	13072	13270	13436	13576	13696	13799	13888	13966		
54 x 60					11417	12175	12792	13295	13707	14049	14332	14570	14771	14942	15088	15213	15322	15417		
54 x 66						13080	13782	14361	14839	15237	15569	15849	16086	16288	16461	16611	16741	16855		
54 x 72							14750	15404	15948	16403	16785	17108	17383	17617	17819	17994	18146	18279		
54 x 80							16011	16766	17398	17930	18380	18761	19087	19367	19609	19818	20001	20161		
54 x 84								17436	18112	18683	19167	19578	19931	20233	20495	20723	20921	21095		
54 x 96									20219	20907	21494	21997	22429	22803	23127	23409	23656	23874		
54 x 108										23088	23779	24374	24889	25334	25723	26062	26360	26623		
54 x 120										25235	26032	26720	27317	27836	28290	28688	29038	29347		
54 x 144													31338	32103	32772	33359	33876	34334	34739	
60 x 60				11225	12280	13149	13863	14452	14940	15346	15686	15972	16215	16422	16600	16753	16887	17003		
60 x 66					13113	14090	14902	15577	16141	16613	17010	17346	17633	17878	18089	18272	18431	18570		
60 x 72						15005	15914	16675	17314	17853	18309	18696	19028	19312	19558	19772	19958	20121		
60 x 80							17227	18102	18843	19471	20006	20464	20857	21196	21490	21745	21969	22166		
60 x 84							17872	18803	19594	20268	20843	21336	21760	22126	22445	22722	22965	23179		
60 x 96								20863	21805	22614	23310	23910	24429	24881	25274	25619	25922	26189		
60 x 108									23964	24908	25725	26433	27050	27588	28059	28472	28837	29160		
60 x 120										27161	28099	28916	29631	30256	30806	31290	31719	32099		
60 x 144											31577	32756	33792	34703	35506	36216	36845	37403	37901	
66 x 66					15064	15983	16755	17404	17952	18415	18810	19147	19438	19688	19906	20096	20263			
66 x 72						17033	17901	18635	19259	19790	20244	20634	20971	21263	21517	21739	21935			
66 x 80							19387	20235	20960	21582	22117	22579	22979	23328	23632	23899	24135			
66 x 84							20114	21019	21796	22463	23039	23537	23970	24347	24677	24968	25224			
66 x 96								23322	24251	25056	25755	26363	26895	27361	27771	28132	28452			
66 x 108									26643	27585	28409	29129	29762	30318	30809	31244	31630			
66 x 120									28988	30067	31014	31847	32581	33230	33804	34314	34768			
66 x 144										33571	34921	36115	37174	38113	38948	39691	40355	40949		
72 x 72					16977	18117	19090	19919	20628	21235	21757	22208	22598	22937	23234	23494	23723			
72 x 80							20627	21582	22405	23114	23728	24260	24723	25128	25483	25795	26072			
72 x 84							21379	22396	23275	24036	24696	25269	25770	26208	26593	26932	27232			
72 x 96								24780	25827	26741	27540	28239	28853	29393	29870	30292	30667			
72 x 108								27093	28307	29374	30312	31137	31866	32510	33081	33588	34040			
72 x 120								29354	30732	31950	33026	33979	34823	35572	36238	36833	37364			
72 x 144								33761	35460	36975	38327	39532	40607	41569	42429	43201	43894			
84 x 84							23798	25035	26117	27063	27892	28619	29258	29822	30320	30762	31155			
84 x 96									28836	29964	30964	31845	32626	33318	33934	34482	34972			
84 x 108										31464	32774	33939	34976	35898	36721	37455	38113	38702		
84 x 120											35509	36840	38030	39094	40048	40903	41671	42362		
84 x 144											40819	42475	43968	45315	46530	47627	48619	49516		

**CFM @
0.05" w.g.**

Selections to right of bold line suitable for intake (perimeter velocity 600 fpm or less).

For more information on this product call your sales support.



Est. 1938

Gravity Relief/Supply Vent Model LQV

Model LQV is a gravity relief/supply vent. The low silhouette of the LQV harmonizes with modern architectural design.

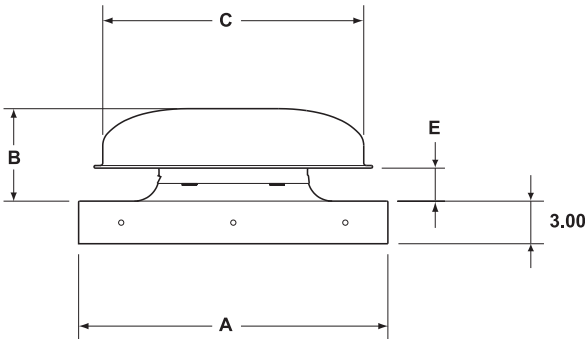


Construction Features

- Hood, orifice and curbcap constructed of heavy gauge aluminum
- Removable hood
- Large streamlined orifice permits efficient, less turbulent airflow
- Birdscreen constructed of heavy gauge galvanized steel wire mesh
- Can be converted to power roof ventilator by adding fan unit except for sizes 42" and 48"

Options/Accessories

- Prefabricated Curbs
- Dampers
- Coatings
- Insect Screen



Model	A	B	C	E	Throat		Est. Ship Wt.	Curb Model
					Dia.	Area		
					LQV10	22.00		
LQV12	24.00	6.74	21.00	2.49	12.13	.80	18	C22.5
LQV14	26.00	8.10	24.00	3.35	14.00	1.07	20	C24.5
LQV16	28.00	9.83	27.63	4.58	16.00	1.40	25	C26.5
LQV18	31.00	10.76	31.60	5.01	18.50	1.84	35	C29.5
LQV21	34.00	12.09	36.72	5.47	21.13	2.43	71	C32.5
LQV24	38.00	13.70	41.38	5.20	24.38	3.24	100	C36.5
LQV30	46.00	15.89	52.13	6.89	30.50	5.07	159	C44.5
LQV36	52.50	18.67	61.19	9.67	36.50	7.27	203	C51.0
LQV42	54.00	25.50	82.12	13.14	42.00	9.70	300	C52.5
LQV48	60.00	29.00	82.12	16.72	48.00	12.60	337	C58.5

Dimensions are shown in inches.
Weights are shown in pounds.

PERFORMANCE DATA					
Model	CFM vs. Static Pressure				
	.05"	.10"	.15"	.20"	.25"
LQV10	360	515	630	725	810
LQV12	480	675	830	955	1070
LQV14	630	890	1090	1260	1410
LQV16	830	1175	1440	1665	1860
LQV18	1095	1555	1900	2195	2455
LQV21	1450	2050	2510	2900	3240
LQV24	1910	2705	3315	3825	4280
LQV30	2955	4180	5120	5910	6610
LQV36	4300	6080	7450	8600	9620
LQV42	5860	8250	10200	11750	13150
LQV48	7710	10770	13350	15350	17300

For more information on this product contact your sales support.



Est. 1938

Prefabricated Roof Curbs and Adapters

Models C, CR, CS, CH, CRH, CMR, CVE, CE, CA, CCA and CLE



Roof Curbs

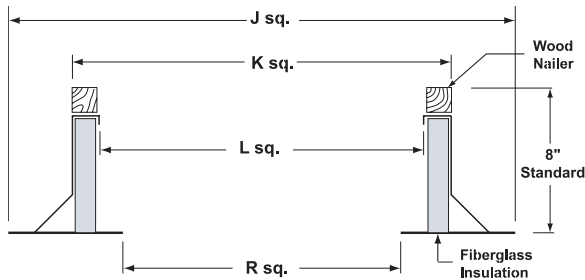
Acme manufactures a wide variety of prefabricated roof curbs to meet most applications. Curbs are available in standard sizes as well as custom sizes. Prefabricated curbs are designed to simplify the installation of roof mounted units along with assuring compatibility between the unit, curb and roof opening. Standard configurations are Type RF for roofed-over flashing and type SF for self-flashing installation.

Standard Features:

- Built with continuous welded seams with integral base plate for watertight construction and extra strength
- 18Ga Galvanized Steel or .063" Aluminum
- 1-1/2" fiberglass sound attenuating thermal insulation (Not Available on CR Curbs with vented slot option)
- Minimum curb height is 8" (18" on CR and CRH Curbs; 16" only on CS Curbs)
- 2" x 2" Wood Nailer (1/4" Polystyrene Gasket on SF Curbs)
- Damper Shelf (Not available on CR Curbs)

Options:

- Custom Sizes and Gauges
- Burglar Bars
- Metal Liner
- 2" Insulation (Consult Factory when using Backdraft Damper)
- Single Pitch or Double Pitch
- Raised Cant up to 4" (RF Curb only)
- Vent Slots, 4" by 1/2" (insulation not furnished)
- Wider Flange (SF Curb only)
- Treated Wood Nailer
- Coatings (Decorative Enamel, Epoxy, Primer, Eisenheiss or Heresite)

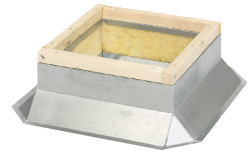


CURB DIMENSIONS				
Model	K sq. Dim	J sq. Dim	L sq. Dim (Roof Opening)	R sq. Dim
C, CR, and CS (RF or SF)	1.5" less than unit curb cap	K + 8"	K - 3"	K - 6"
CH and CRH	0.3" less than unit curb cap	K + 8"	K - 3"	K - 6"
Example: PRN080 has a 13.5" base and uses a C12 curb	K=13.5" - 1.5" = 12"	J = 12" + 8" = 20"	L = 12" - 3" = 9"	R = 12" - 6" = 6"

Dimensions are shown in inches.

Model C, Type RF

Constructed with large 3" wide built-in 45° cant to accommodate roofing to top of curb for watertight seal and extra strength. Features welded corners with beveled cants to provide better lay of roofing material and watertight seal at corners. Furnished with wood nailer secured to top ledge of curb.



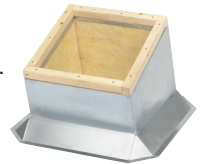
Model C, Type RF (Raised Cant Option)

This RF-style curb is modified to accommodate roofs having extra insulation above the roof deck. The standard rise is 1-1/2" with a maximum rise of 4". This curb has all the standard construction features of the Type RF.



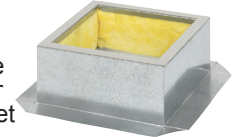
Model C, Type RF (Single Pitch Option)

This RF-style curb is modified to accommodate single pitched roof installation. When ordering select pitch required by stating the rise in inches per 12" horizontal dimension. Minimum curb height is 8" on the shortest vertical height.



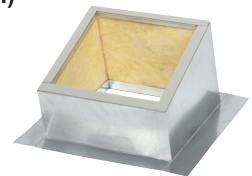
Model C, Type SF

Built with continuous welded seams with wide integral base plate to insure adequate roofing surface bond for watertight weather seal. Furnished with 1/4" polystyrene gasket secured to top ledge of curb.



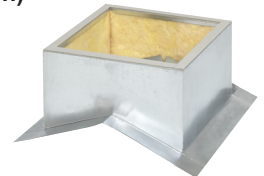
Model C, Type SF (Single Pitch Option)

This SF-style curb is modified to accommodate single pitched roof installation. When ordering select pitch required by stating the rise in inches per 12" horizontal dimension. Minimum curb height is 8" on the shortest vertical height.



Model C, Type SF (Double Pitch Option)

This SF-style curb is modified to accommodate double pitched roof installation. When ordering select pitch required by stating the rise in inches per 12" horizontal dimension. Minimum curb height is 8" on the shortest vertical height.



Model CR, Type RF and SF (Restaurant Curb)

Designed to comply with applicable NFPA [National Fire Protective Association] code requirements as well as a variety of local requirements, specialized restaurant curbs are made with the same rugged features found in the standard RF and SF style curbs. In addition, units can be equipped with 4" x 1/2" ventilation slots (insulation not furnished) to release trapped heat from kitchen exhaust ducts.



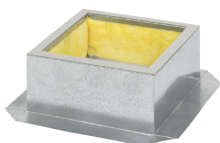
Model CS, Type RF and SF (Sound Curb)

A special sound absorbing curb designed for use with power roof ventilators where quiet operation is required. Designed with streamlined air flow passages using a core of modular sound absorbing cells of special fiberglass held in a galvanized steel frame. Reduces roof fan noise transmitted back into the room or auditorium by approximately 40%. Features the same rugged all-welded construction as our standard RF and SF style curbs. Standard height is 16". For more information refer to www.acmefan.com/pdfs/SoundCurb.PDF



Model CH, Type SF (Hurricane Curb)

Built with continuous welded seams with wide integral base plate to insure adequate roofing surface bond for watertight weather seal. Furnished with 1/4" polystyrene gasket secured to top ledge of curb. Heavy-Duty 18 gauge galvanized steel up to size 34"; size 34" and above are 16 gauge galvanized steel. See fan Installation and Maintenance Instructions for fastener information – www.acmefan.com/literature.htm



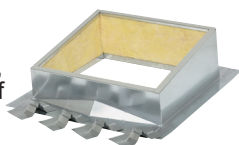
Model CRH, Type SF (Hurricane Restaurant Curb)

Designed to comply with applicable NFPA [National Fire Protective Association] code requirements as well as a variety of local requirements, specialized hurricane restaurant curbs are made with the same rugged features found in standard SF-style hurricane curbs. In addition, units can be equipped with 4" x 1/2" ventilation slots (insulation not furnished) to release trapped heat from kitchen exhaust ducts. Heavy-Duty 18 gauge galvanized steel up to size 34"; size 34" and above are 16 gauge galvanized steel. See fan Installation and Maintenance Instructions for fastener information – www.acmefan.com/literature.htm



Model CMR (Metal Roof Curb)

Metal roof curbs come in 4 styles depending on the roof type: Self-Flashing, Loose Clips, Welded Clips, Over/Under Welded Clips. Metal roof curbs feature continuously welded seams and rib pockets (Loose Clip Curbs), and are lined with 1-1/2" fiberglass insulation. Curbs are furnished with 1/4" polystyrene gasket on top ledge and cricket-style water diverter to prevent ponding water. For more information please consult factory.



Model CVE (Vented Curb Extension)

Vented curb extensions are constructed of 18 gauge galvanized steel or .063 aluminum and have continuous welded seams for watertight construction. Comes standard with 1/4" polystyrene gasket on top ledge, and 4" x 1/4" vents on each side. Custom made to any size and height. Standard height is 8".



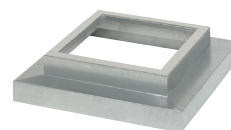
Model CE (Curb Extension)

Curb Extensions are constructed of 18 gauge galvanized steel or .063 aluminum and have continuous welded seams for watertight construction. Comes standard with 1/4" polystyrene gasket on top ledge, built-in back draft damper shelf and removable access panel. Custom made to any size and height. Standard height is 13".



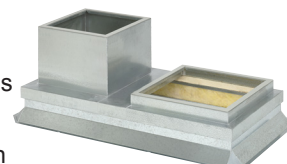
Model CA (Curb Adapter)

Curb Adapters are designed to fit new equipment to existing curbs. They are constructed of 18 gauge galvanized steel with continuous welded seams and a 1/4" polystyrene gasket on top ledge. Available as a reducing or enlarging adapter.



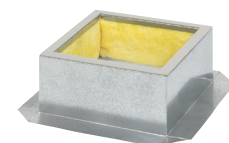
Model CCA (Combo Curb Adapter)

The combo curb adapter is constructed of 18 gauge galvanized steel with continuous welded seams and meet the needs of modern kitchen construction, allowing both the exhaust and supply ducting to share a common roof opening (Curb not included).



Model CLE, Type SF (Lab Curb)

Built with continuous welded seams with wide integral base plate to insure adequate roofing surface bond for watertight weather seal. Furnished with 1/4" polystyrene gasket secured to top ledge of curb. Heavy-Duty 12 gauge galvanized steel construction.



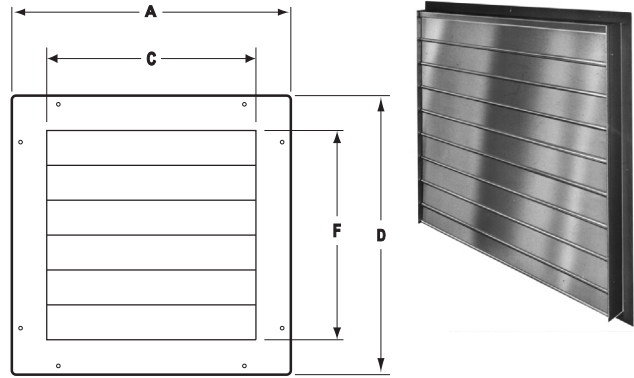
Shown with optional insulation



Backdraft Dampers

Models WAG, WAGH, WAGC, WAGCH, AW, AR & ARH

Acme manufactures a wide variety of backdraft dampers to meet most applications. Dampers are available in standard sizes in addition to custom sizes.



Wall Dampers (Model WAG or WAGC)

Constructed of rigid galvanized steel frame with double tie rods on the blades. Blades are industrial grade aluminum reinforced with steel rods. Nylon bearings are used to resist corrosion and prevent damper sticking making for quiet operation.

Heavy Duty Wall Dampers (Model WAGH or WAGCH)

Heavy duty dampers are recommended when the air velocity exceeds 1500 fpm and up to 2500 fpm. Heavy duty dampers are similar in construction to standard duty dampers except each blade has a formed reinforcement member providing extra strength and rigidity.

Center Pivot Wall Damper (Model WAGC or WAGCH)

When a supply type fan is used a motorized center pivot type damper, model WAGC or WAGCH should be substituted for the WAG or WAGH. For 2 HP units and larger, it is recommended that a time delay switch be utilized.

Automatic, Motorized or Manual

Dampers are available as Automatic, Motorized or Manual operated.

Automatic dampers open with the airflow of the fan and are spring closed.

Motorized dampers use a stall type motor and are spring closed. Motor voltages available in 60 Hz single phase - 24, 115, 200, 230, 460. Also available in 50 Hz voltages - 110, 220.

Manual dampers open with a pull chain and are spring closed. Manual damper option available.

Roof Dampers (Model AR or ARH)

All aluminum multiple blade construction with precision balanced full opening blades and nylon bearings. Wide damper frame accommodates flush installation to ceiling opening or mounting frame in roof opening. The damper mounts inside Acme prefabricated curb and is available as automatic or motor operated. Model ARH is a heavy duty damper.

Wall Damper (Model AW)

Attractive all aluminum multiple blade damper is constructed for flush mounting to interior wall when square duct is used. It has precision counter-balanced, full opening blades.

WAG & WAGH DIMENSIONS					
Standard Duty		Heavy Duty		Overall Flange Size	Damper Size
Model	Wt. lbs.	Model	Wt. lbs.	A x D	C x F
WAG1212	6	WAGH1212	7	12 x 12	9 x 9
WAG1414	8	WAGH1414	9	14 x 14	11 x 11
WAG1515	9	WAGH1515	10	15 x 15	12 x 12
WAG1616	9	WAGH1616	10	16 x 16	13 x 13
WAG1818	10	WAGH1818	11	18 x 18	15 x 15
WAG2121	11	WAGH2121	12	21 x 21	18 x 18
WAG2222	11	WAGH2222	12	22 x 22	19 x 19
WAG2323	12	WAGH2323	13	23 x 23	20 x 20
WAG2626	14	WAGH2626	15	26 x 26	23 x 23
WAG2727	15	WAGH2727	16	27 x 27	24 x 24
WAG2828	16	WAGH2828	17	28 x 28	25 x 25
WAG3030	17	WAGH3030	19	30 x 30	27 x 27
WAG3232	20	WAGH3232	22	32 x 32	29 x 29
WAG3333	22	WAGH3333	24	33 x 33	30 x 30
WAG3434	23	WAGH3434	25	34 x 34	31 x 31
WAG3737	24	WAGH3737	26	37 x 37	34 x 34
WAG3838	25	WAGH3838	27	38 x 38	35 x 35
WAG3939	26	WAGH3939	28	39 x 39	36 x 36
WAG4040	28	WAGH4040	30	40 x 40	37 x 37
WAG4444	29	WAGH4444	31	44 x 44	41 x 41
WAG4545	30	WAGH4545	33	45 x 45	42 x 42
WAG4646	32	WAGH4646	35	46 x 46	43 x 43
WAG4848	34	WAGH4848	37	48 x 48	45 x 45
WAG5050	36	WAGH5050	39	50 X 50	47 X 47
WAG5252	38	WAGH5252	41	52 X 52	49 X 49
WAG5454	40	WAGH5454	45	54 x 54	51 x 51
WAG6060	54	WAGH6060	61	60 x 60	57 x 57

Dimensions are shown in inches.

AR & ARH DIMENSIONS			
Model	Wt. lbs.	Overall Flange Size	Damper Size
		A x D	C x F
AR8.75	4	8.75 x 8.75	5.75 x 5.75
AR11	5	11 x 11	8 x 8
AR12	5	12 x 12	9 x 9
AR14	6	14 x 14	11 x 11
AR16	6	16 x 16	13 x 13
AR18	7	18 x 18	15 x 15
AR20	8	20 x 20	17 x 17
AR22	9	22 x 22	19 x 19
AR23	11	23 x 23	20 x 20
AR26	13	26 x 26	23 x 23
AR28	15	28 x 28	25 x 25
AR30	16	30 x 30	27 x 27
AR32	18	32 x 32	29 x 29
AR34/ARH34	21	34 x 34	31 x 31
AR38	23	38 x 38	35 x 35
AR40/ARH40	26	40 x 40	37 x 37
AR44	28	44 x 44	41 x 41
AR48	32	48 x 48	45 x 45
AR54/ARH54	37	54 x 54	51 x 51

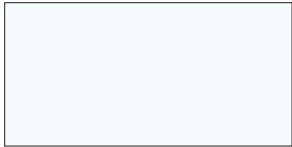
Dimensions are shown in inches.

Backdraft Dampers

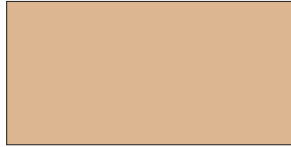


Decorative Coatings

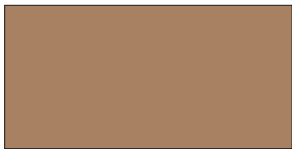
Industrial grade semi-gloss enamel applied to the exterior of the unit only. Decorative coatings are air dry only. All exterior fasteners are painted. Acme requires three paint chips sent to the factory on custom decorative coatings.



Brilliant White



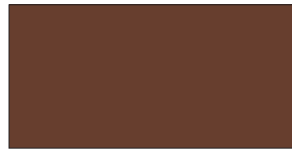
Pallet Tan



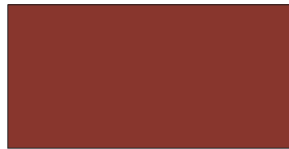
Modular Tan



Umbra



Bolt Brown



Deck Red

Special Coatings

Products receiving special coatings have components painted before assembly. Fasteners are not painted.

Enamel

Charcoal baked enamel designed to give a high gloss finish and durability. Excellent hardness and abrasion resistance combined with UV protection. Painted parts are put through a phosphoric acid in the form of an iron phosphate detergent that prepares the metal for finishing by depositing a fine grain phosphate coating to the surface.

Epoxy

Charcoal acrylic epoxy baked enamel combining the UV resistance and finish of the acrylic along with the adhesion of a baked epoxy. Painted parts are put through a phosphoric acid in the form of an iron phosphate detergent that prepares the metal for finishing by depositing a fine grain phosphate coating to the surface.

Heresite (Air Dry)

Offers excellent chemical resistance that will withstand several corrosive environments. Recommended as a heavy duty maintenance coating for exposures to splash, spillage and fumes. Painted parts are put through a phosphoric acid in the form of an iron phosphate detergent that prepares the metal for finishing by depositing a fine grain phosphate coating to the surface.

Insulmastic

A black asphalt based mastic which provides thermal insulation, condensation control, sound deadening and protection against corrosion.



International Orange



Precision Plum



Off Shore



Turbine Blue



Techno Teal



Safety Green



Anchor Gray



Tower Gray



Graphite



Black

NOTE: For any coating selected, the user assumes the responsibility for the corrosive agent, its concentration, temperature, moisture content and the ultimate effect on the coating and the equipment.



Conversion Table

	I-P Equivalents of Metric Units		Metric Equivalents of I-P Units	
Area	1 m ² (square meter)	= 10.764 ft ²	1 ft ² (square foot)	= .09290 m ²
Density	1 kg/m ³	= .062428 lbm/ft ³	1 lbm/ft ³	= 16.018 kg/m ³
	1 g/cm ³	= 62.428 lbm/ft ³	1 lbm/ft ³	= .016018 g/cm ³
Energy	1 J (Joule) or N-m (Newton-meter)	= .73756 ft-lb	1 ft-lb (foot pound)	= 1.3558 N-m
	1 kcal (kilo calorie)	= 3.9683 Btu	1 Btu (British thermal unit)	= 252 cal
Flow Rate (Volume)	1 m ³ /s (cubic meter per second) CMS	= 2118.9 CFM	1 CFM (Cu. ft/min)	= .00047195 m ³ /s
	1 m ³ /min (cubic meter per minute) CMM	= 35.315 CFM	1 CFM	= .02832 m ³ /min
	1 m ³ /hr (cubic meter per hour) CMH	= .58858 CFM	1 CFM	= 1.6990 m ³ /hr
	1 l/s (liter per second)	= 2.1189 CFM	1 CFM	= .47195 l/s
Force	1 N (Newton)	= .22481 lb	1 lb (pound)	= 4.4482 N
	1 kp (kilopond)	= 2.2046 lb	1 lb	= .45359 kp
Gas Constant	1 J/kg-K (Joule per kilogram Kelvin)	= .18586 ft-lb/lbm- °R	1 ft-lb/lbm- °R*	= 5.3803 J/kg-K
	1 m ² /s ² -K (sq. mtr per sec. sq. Kelvin)	= 5.9800 ft ² /s ² - °R	1 ft ² /s ² - °R**	= .16723 m ² /s ² -K
	1 cal/g-°C (calorie per gram °C)	= 4186.8 J/kg-K	1 Btu/lbm - °R	= 1.0000 cal/g- °C
			*(foot-pound per poundmass degree Rankine)	
			**(square-foot per second-square degree Rankine)	
Length	1 mm (millimeter)	= .03937 inch	1" (inch)	= 25.4 mm
	1 cm (centimeter)	= .39370 inch	1"	= 2.54 cm
	1 m (meter)	= 3.2808 ft	1 ft (foot)	= .30480 m
	1 km (kilometer)	= .62137 mi	1 mi (mile)	= 1.6093 km
Mass	1 kg (kilogram)	= 2.2046 lbm	1 lbm (pound mass)	= .45359 kg
Power	1 W (Watt)	= .00134 HP	1 hp (horsepower)	= .7457 kW
	1 kW (kilo-Watt)	= 1.3410 hp	1 hp	= 745.70 W
	1 mhp (metric horsepower)	= .98632 hp	1 hp	= 1.0139 mhp
Pressure or Stress	1 N/m ² (Newton per m ²) or Pa (Pascal)	= .0040264" wg	1" wg (inches water gauge)	= 248.66 Pa or N/m ²
	1 mm Hg or torr (mm Mercury)	= .53616" wg	1" wg	= 1.8651 mm Hg or torr
	1 kPa (kilo Pascal)	= .1450 psi	1 psi (pounds per sq. inch)	= 6894.8 Pa or N/m ²
	1 atm (atmosphere)	= 29.921" Hg	1" Hg (inch Mercury)	= 3386.4 Pa or N/m ²
	(mm Hg at 0°C or 68°F)		(inches wg at 68°F or 20°C)	
1 oz/in ²	= 1.732" wg	1" wg	= 0.5774 oz/in ²	
Temperature	For temperature intervals and rise,		For temperature intervals and rise,	
	1°C (degree Celcius)	= 9/5 °F	1°F (degree Fahrenheit)	= 5/9 °C
	For temperature in °F (Fahrenheit)	= t _c x 9/5 + 32	For temperature in °C	= (t _f -32) x 5/9
Torque	1 N-m (Newton meter)	= 8.8507 lb-in.	1 lb-in. (pound inch)	= .11298 N-m
	1 N-m (Newton-meter)	= .73756 lb-ft.	1 lb-ft. (pound foot)	= 1.3558 N-m
Velocity & Speed	1 m/s	= 196.5 fpm	1 fpm (feet per minute)	= .00508 m/s
	1 km/hr (kilometer per hour)	= .62137 mph	1 mph (mile per hour)	= 1.6093 km/hr
	1 rps (revolution per second)	= .016667 rpm	1 rpm (revolution per minute)	= 60 rps
Viscosity	1 cP (Centipoise)	= .00067197 lbm/ft-s	1 lbm/ft-s (pound/foot second)	= 1488.2 cP
Fan Laws	CFM varies directly with RPM CFM ₁ /CFM ₂ = RPM ₁ /RPM ₂	SP varies with the square of the RPM SP ₁ /SP ₂ = (RPM ₁ /RPM ₂) ²	HP varies with the cube of the RPM HP ₁ /HP ₂ = (RPM ₁ /RPM ₂) ³	

TERMS AND CONDITIONS OF SALE

ACCEPTANCE All orders and sales are subject to written approval and acceptance by an executive officer of Acme Engineering & Manufacturing Corporation at Muskogee, Oklahoma, (the "Company") and are not binding on the Company until so approved.

DELIVERY All shipping and delivery dates are estimated only. No delays in delivery will subject the Company to any costs, damages or fees for late delivery. Delivery of the products herein specified shall be made F.O.B. point of shipment, unless otherwise stated. The Company shall not be liable for delay due to causes beyond its reasonable control, such as Acts of God, acts of the purchaser, acts of civil or military authorities, priorities, fires, strikes, floods, epidemics, war, riots, delays in transportation, car shortages, and inability, due to reasons beyond its reasonable control, to obtain necessary labor, material, or manufacturing facilities. In the event of such a delay, the date of delivery shall be extended for a period equal to the time lost by reason of the delay.

TERMS OF PAYMENT If, in the judgment of the Company, the financial condition of the purchaser at any time does not justify continuation of manufacture or shipment on the terms of payment specified, the Company may require full or partial payment in advance.

Pro rata payments shall become due as shipments are made. Each shipment or delivery shall constitute a separate sale, and the default of any shipment or delivery shall constitute a separate sale, and the default of any shipment or delivery shall not vitiate the contract as to other shipments or deliveries.

SALES AND SIMILAR TAXES The Company's prices do not include sales, use, excise, or similar taxes. Consequently, in addition to the price specified herein, the amount of any present or future sales, use, excise, or other similar tax applicable to the sale of the product herein shall be paid by the Purchaser, or in lieu thereof

the Purchaser shall provide the Company with a tax exemption certificate acceptable to the taxing authorities.

CANCELLATION Any contract resulting from the Purchaser's order may be canceled by the Purchaser only by negotiations and upon payments of reasonable cancellation charges which will take into account expenses already incurred and commitments made by the Company.

DESIGN CHANGES The Company reserves the right to make changes in design, improvements and additions in and to its products any time without imposing any liability or obligations to itself to apply or install the same in any product manufactured by it.

TITLE The title and right of possession of the products sold herein shall remain with the Company and such products shall remain personal property until all payments herein (including deferred payments whether evidenced by notes or otherwise) shall have been made in full in cash and the Purchaser agrees to do all acts necessary to perfect and maintain such right and title in the Company.

PRICE ADJUSTMENTS Prices are subject to change upon notice by the Company. Prices on existing orders are subject to surcharges in the event of cost increases of metals and transportation. All complete component accessory material manufactured by others and furnished with the Company's products such as motors, drives, vibration equipment, controls or other completely assembled component structures, are subject to adjustment to the price at time of shipment regardless of the date of original order entry.

SAFETY ACCESSORIES The Company manufactures products designed to serve multiple applications and offers a wide range of safety equipment, including guards and other devices, as may be required to meet

customer specifications. Without exception, the Company recommends that all orders include applicable safety devices. Products ordered without applicable safety devices is clearly the responsibility of the Purchaser. Further, the Purchaser warrants that it has determined and acquired any and all safety devices required for products sold by the Company. Weather covers and guards for motor and V-belt drives, couplings, shafts and bearings, along with inlet and outlet screens, are optional accessories noted in the price list.

GOVERNING LAW The rights, obligations and remedies of Purchaser and the Company, the interpretation of these terms and conditions and the sale of products by the Company shall be governed by Oklahoma law, without regard to any principles of conflict of laws.

ARBITRATION Any dispute arising under or in connection with these terms and conditions or the sale of products shall be settled by binding arbitration administered by the American Arbitration Association under its Commercial Arbitration Rules, and judgment on the award rendered by the arbitrator may be entered in any court having jurisdiction thereof. The dispute shall be resolved by one neutral arbitrator who shall have no affiliation with either Purchaser or the Company and shall be selected by the American Arbitration Association office in Dallas, Texas. The arbitration proceedings shall be held in Muskogee, Oklahoma.

APPLICABLE DOCUMENTS The agreement between the Company and the Purchaser relating to the products includes these terms and conditions of sale, any applicable installation and maintenance instructions provided by the Company and any terms appearing on the Company's quotation, sales order acknowledgment and invoice.

WARNING Acme products are designed and manufactured to provide reliable performance but they are not guaranteed to be 100% free of defects. Even reliable products will experience occasional failures and this possibility should be recognized by the Purchaser and all End Users. If these products are used in a life support ventilation system where failure could result in loss or injury, the Purchaser and all End Users should provide adequate back-up ventilation, supplementary natural ventilation or failure alarm system, or acknowledge willingness to accept the risk of such loss or injury.

WARNING DO NOT use in HAZARDOUS ENVIRONMENTS where fan's electrical system could provide ignition to combustible or flammable materials unless unit is specifically built for hazardous environments. Comply with all local and national safety codes including the National Electrical Code (NEC) and National Fire Protection Act (NFPA).

CAUTION Guards must be installed when fan is within reach of personnel or within eight (8) feet (2.5 m) of working level or when deemed advisable for safety.

DISCLAIMER The Company has made a diligent effort to illustrate and describe the products accurately in all Company literature; however such illustrations and descriptions are for the sole purpose of identification and do not express or imply any warranty.

LIMITED WARRANTY

WARRANTY AND DISCLAIMER: the Company extends this limited warranty to the original purchaser and warrants that products supplied by the Company, shall be free from original defects in workmanship and materials for two years from date of shipment (except for the warranty periods noted for products listed below), provided same have been properly handled, stored, installed, serviced, maintained and operated. This warranty shall not apply to products which have been altered or repaired without the Company's express authorization, or altered or repaired in any way so as, in the Company's judgment, to affect its performance or reliability, nor which have been improperly installed or subjected to misuse, negligence, or accident, or incorrectly used in combination with other substances. The Purchaser assumes all risks and liability for results of use of all products.

Evaporative cooling pads are warranted to be free of defects in materials and workmanship for a period of two years from date of shipment provided same have been properly handled, stored, installed, serviced, maintained and operated; and further, not subjected to excessive heat, corrosive agents or chemicals, or mechanical abuse that may cause tearing, crushing or undue deterioration, nor used on a system or in a manner other than that for which it was designed as explained in the product literature.

The following products are warranted to be free of defects in materials and workmanship for the periods shown from date of shipment: Acme's exclusive duplex split pillow block bearings and shaft five years, belts one year, Polyethylene tubing 90 days, AIR40 Heater warranty one year, AIR40 Emitter warranty three years and DDP fan lifetime warranty on its propeller, cone, and housing.

LIMITATION OF REMEDY AND DAMAGES: All claims under this warranty must be made in writing and delivered to P. O. Box 978, Muskogee, Oklahoma, 74402, within 15 days after discovery of the defect and prior to the expiration of two years from the date of shipment by the Company of the product claimed defective, and Purchaser shall be barred from any remedy if Purchaser fails to make such claim within such period.

Within 30 days after receipt of a timely claim, the Company shall have the option either to inspect the product while in Purchaser's possession or to request Purchaser to return the product to the Company at Pur-

chaser's expense for inspection by the Company. The Company shall replace, or at its option repair, free of charge, any product it determines to be defective, and it shall ship the repaired or replacement product to Purchaser F.O.B. point of shipment; provided, however, if circumstances are such as in the Company's judgment to prohibit repair or replacement to remedy the warranted defects, the Purchaser's sole and exclusive remedy shall be a refund to the Purchaser of any part of the invoice price, paid to the Company, for the defective product or part.

The Company is not responsible for the cost of removal of the defective product or part, damages due to removal, or any expenses incurred in shipping the product or part to or from the Company's plant, or the installation of the repaired or replaced product or part.

The warranties set forth above do not apply to any components, accessories, parts or attachments manufactured by other manufacturers; such being subject to the manufacturer's warranty, if any. To the extent not prohibited by the manufacturer's warranty, the Company shall pass through to Purchaser such manufacturer's warranty.

THE COMPANY'S WARRANTY IS IN LIEU OF ALL OTHER WARRANTIES, EXPRESS OR IMPLIED, ARISING BY LAW OR OTHERWISE, INCLUDING WITHOUT LIMITATION THE IMPLIED WARRANTIES OF MERCHANTABILITY AND FITNESS FOR A PARTICULAR PURPOSE, WHICH ARE HEREBY EXPRESSLY DISCLAIMED AND WAIVED. THIS WARRANTY CONSTITUTES THE COMPANY'S SOLE AND EXCLUSIVE WARRANTY FOR DEFECTIVE GOODS AND PURCHASER'S SOLE AND EXCLUSIVE REMEDY FOR DEFECTIVE PRODUCTS.

No employee, agent, dealer, or other person is authorized to give any warranties on behalf of the Company or to assume for the Company any other liability in connection with any of its products except in writing and signed by an officer of the Company.

REPLACEMENT PARTS If replacement parts are ordered, purchaser warrants that the original components in which these replacement parts will be placed are in satisfactory working condition, and when said replacement parts are installed, the resultant installation will operate in a safe manner, at speeds and temperatures for which the original product was purchased.

TECHNICAL ADVICE AND RECOMMENDATIONS, DISCLAIMER: Notwithstanding any past practice or dealings or any custom of the trade, sales shall not include the furnishing of technical advice or assistance or system design. Any such assistance shall be at the Company's sole option and may be subject to additional charge.

The Company assumes no obligation or liability on account of any recommendations, opinions or advice as to the choice, installation or use of products. Any such recommendations, opinions or advice are given and shall be accepted at Purchaser's and End User's risk and shall not constitute any warranty or guarantee of such products or their performance.

LIMITATION OF LIABILITY The cumulative liability of the Company to the Purchaser and any other persons for all claims in any way relating to or arising out of the products, including, but not limited to, any cause of action sounding in contract, tort, or strict liability, shall not exceed the total amount of the purchase price paid for those products which are the subject of any such claim. This limitation of liability is intended to apply without regard to whether other provisions of this agreement have been breached or have proven ineffective even if the Company has been advised of the possibility of such claims or demands. In no event shall the Company be liable to the Purchaser or any other person for any loss of profits or any incidental, special, exemplary, or consequential damages for any claims or demands brought by the Purchaser or such other persons.

INDEMNITY The Company's maximum liability to Purchaser and to any end user is as set forth above. The Company makes no warranty to anyone for any products not manufactured by the Company and shall have no liability for any use or installation of any products (whether manufactured by the Company or other manufacturers) not specifically authorized by this sale. Purchaser acknowledges various warnings by the Company regarding the products and its installation and use. If the Company incurs any claims, lawsuits, settlements, or expenses (including attorney fees) for any loss, injury, death or property damage including, but not limited to, claims arising out of the Purchaser's or any end user's installation or use of the products, the Purchaser shall indemnify and hold the Company harmless.

Your Representative is

ACME ENGINEERING & MANUFACTURING CORPORATION

P.O. Box 978 | Muskogee, Oklahoma 74402 | Telephone 918/682-7791

Fax 918/682-0134 | www.acmefan.com | e-mail: acmefan@acmefan.com

Member Air Movement and Control Association International, Inc.

September 2015 Form C189F